

**BID NO. 2022-03-08**

TOWNSHIP OF PISCATAWAY  
MIDDLESEX COUNTY  
NEW JERSEY

**TOWNSHIP OF PISCATAWAY**

**2022- ETHEL ROAD ROADWAY IMPROVEMENTS**

**MAYOR**  
**BRIAN WAHLER**

**PISCATAWAY TOWNSHIP COUNCIL**  
MICHELE LOMBARDI, COUNCIL PRESIDENT  
FRANK UHRIN, COUNCIL VICE PRESIDENT  
GABRIELLE CAHILL  
JAMES BULLARD  
STEVE D. CAHN  
KAPIL K. SHAH  
LINWOOD D. ROUSE

**BUSINESS ADMINISTRATOR**  
TIMOTHY J. DACEY

**TOWNSHIP CLERK**  
MELISSA A. SEADER

**PROJECT MANAGER**  
JOSEPH HERRERA, CFM/GROTTO ENGINEERING  
COMMUNITY DEVELOPMENT/ENGINEERING  
455 HOES LANE PISCATAWAY, NJ 08854

**ANY QUESTIONS MUST BE E-MAILED TO [Purchasing@piscatawaynj.org](mailto:Purchasing@piscatawaynj.org) NO LATER THAN April 12, 2022. @ 12noon. PHONE CALLS WILL NOT BE ACCEPTED THERE WILL BE NO EXCEPTIONS.**

Bid Opening Date: Thursday, April 21, 2022 AT 2:00 PM

**BIDDER:** \_\_\_\_\_

**ADDRESS:** \_\_\_\_\_

**TEL. NO.:** \_\_\_\_\_

**EMAIL:** \_\_\_\_\_

NOTICE TO BIDDERS

**BID NO: 2022-03-08**

TOWNSHIP OF PISCATAWAY  
MIDDLESEX COUNTY, NEW JERSEY

NOTICE IS HEREBY GIVEN that sealed bids will be received by the Business Administrator or designated representative, for the Township of Piscataway, on THURSDAY, APRIL 21, 2022 at 2:00PM prevailing time in Council Chambers, Township of Piscataway, Administration Building, 455 Hoes Lane, Piscataway, NJ 08854 at which time and place bids will be publicly read by live broadcast via zoom as listed below. Bids will be publicly opened and reviewed for completeness for the following:

**“2022- ETHEL ROAD ROADWAY IMPROVEMENTS”**

Bids must be made on standard proposal form, be enclosed in a sealed package bearing the name and address of bidder and the words **“2022-ETHEL ROAD ROADWAY IMPROVEMENTS”** on the outside and delivered to the Township Purchasing office only, 455 Hoes Lane, Piscataway, NJ 08854 during regular business hours, 8:30 am to 12:20 pm and 1:30 pm to 4:30 pm., Monday through Friday, excluding holidays. *Please be advised that the municipal building is closed daily between 12:20 PM and 1:30 PM for lunch.*

*Bidders must call the purchasing office at 732-562-2321 to drop off the sealed bid. The Municipal building is closed to the public due to the Covid-19.*

Bids Specifications, Plans and instructions to bidders may be obtained at:  
<http://bids.piscatawaynj.org/>

Question and Answer Due Date: APRIL 12, 2022 by 12 Noon, E-mail only to:  
[Purchasing@piscatawaynj.org](mailto:Purchasing@piscatawaynj.org)

Addenda may be downloaded from the Township website <http://bids.piscatawaynj.org/>

**PLEASE, MAKE SURE TO DROP OFF YOUR SEALED BID BY OR BEFORE 12:00NOON ON 4/21 /2022. BID WILL BE OPEN VIA ZOOM AT 2:00PM.**

**During the Covid-19 pandemic, while the statewide “State of Emergency” declaration is still in effect in according with Executive Order 107 all proposal packets will only be read and opened electronically “BROADCAST LIVE” via ZOOM Bid opening. The Municipal building is closed due to the Covid-19 restrictions.**

**Once the bid opening is concluded bidders must call the Purchasing Agent @ 732-562-2321 to set an appointment if bidders wishes to review any of the bids.**

**All bids shall be kept sealed , and will be received and publicly opened on the proposal opening date and time in the Township Council Chambers using Virtual teleconferencing which can be access by logging in to zoom in the following manner:**

**Join Zoom Meeting:**

Piscataway Purchasing is inviting you to a scheduled Zoom meeting.

Topic: BID OPENING: ETHEL ROAD ROADWAY IMPROVEMENTS

Time: Apr 21, 2022 02:00 PM Eastern Time (US and Canada)

Join Zoom Meeting

<https://us02web.zoom.us/j/84653904059?pwd=YjVjWXhLd1V4c1dvR2I5QWVuaEk2QT09>

Meeting ID: 846 5390 4059

Passcode: 685893

One tap mobile

+13126266799,,84653904059#,,,,\*685893# US (Chicago)

+16468769923,,84653904059#,,,,\*685893# US (New York)

Dial by your location

+1 312 626 6799 US (Chicago)

+1 646 876 9923 US (New York)

+1 301 715 8592 US (Washington DC)

Meeting ID: 846 5390 4059

Passcode: 685893

**Bid Packet Marked “ORIGINAL” (1) Photo Copy of the Original “TRUE COPY”**

Bids can be hand delivered to the Municipal Building by calling the Purchasing Agent in Purchasing@732-562-2321. If using an outside delivery and/or messenger service (i.e. Federal Express, UPS, etc.), please note the following: **The Township will not be responsible for deliveries made prior to or after normal business hours, or to any other office, or for the failure of a bidder to affix the label provided with the bid package on the courier envelope.** Name of Bid must appear on the Outside of the FEDEX /UPS Envelope.

Surety in the form of a bid bond, certified check or Cashier’s Check in the amount of ten percent (10%) of the total price bid, but not in excess of \$20,000.00, payable unconditionally to the Township of Piscataway shall submit with the bid. The successful bidder will be required to furnish a Performance Bond in the Amount of 100% of total bid. Bidders shall comply with the requirements of N.J.S.A.10:5-31 and N.J.A.C. 17-27 et seq. Division of Purchasing.

# THE TOWNSHIP OF PISCATAWAY



## INSTRUCTIONS TO BIDDERS

PAGES 1-56



MARIA E. VALENTE-CAEMMERER

---

Purchasing Agent/Township Secretary



**BID BOILER PLATE**

**CONSTRUCTION  
PROJECT**

Revised June 2018

Piscataway

# CONSTRUCTION PROJECT

Bid Specifications  
&  
General Requirements  
For

**PISCATAWAY TOWNSHIP**

**ETHEL ROAD ROADWAY IMPROVEMENTS**

**BID NO: 2022-03-08**

**Thursday, April 21, 2022**

Bid Opening Date

**2:00 p.m.**

Bid Opening Time

"Broadcast live **Via ZOOM**"

Opening Location: 455 Hoes Lane  
Piscataway, NJ 08854

**MARIA E. VALENTE-CAEMMERER**

---

Purchasing Agent

The Township of Piscataway

**REQUEST FOR BIDS**  
**CONSTRUCTION ROAD IMPROVEMENTS**

**Bid Advertisement**

The Township of Piscataway, New Jersey, hereby advertises for competitive bids in accordance with N.J.S.A. 40A:11 et seq., for

**Bid No: 2022-03-08                    ETHEL ROAD ROADWAY IMPROVEMENTS**

All necessary bid specifications and bid forms & Plans may be secured at: <http://bids.piscatawaynj.org/>  
Joseph Herrera, CFM/Grotto Engineering Associates  
Department of Community Development/Division of Engineering  
455 Hoes Lane  
Piscataway, NJ 08854

---

Purchasing Agent  
Township of Piscataway, NJ  
Phone: 732-562-2320  
E-mail: [purchasing@piscatawaynj.org](mailto:purchasing@piscatawaynj.org)

Bidders may contact the Purchasing office by E-mail only at: [Purchasing@piscatawaynj.org](mailto:Purchasing@piscatawaynj.org) regarding questions or additional information about the bid specifications. **By APRIL 12, 2022 @12noon.**

Bids must be sealed and delivered to the Purchasing Office of the Piscataway Township **on or before** date and time indicated below. The envelope to bear the following information:

Title: **ETHEL ROAD ROADWAY IMPROVEMENTS**  
Bid No: **2022-03-08**  
Bidders Name:  
Bidders Address:  
Date: **Thursday, April 21, 2022**  
Time: **2:00 p.m. (BROADCAST LIVE VIA ZOOM)**

The bid opening process will begin on the above advertised date and time **'BROADCAST LIVE VIA ZOOM'** Administrative offices located at 455 Hoes Lane, Piscataway, NJ 08854. Bids may be submitted to the Purchasing office at the bid opening meeting, prior to the advertised date and time. On the advertised date and time, the Purchasing Agent shall publicly receive and open all bids. **LIVE BROADCAST VIA ZOOM. No bids shall be received after the time designated in the advertisement.** (N.J.S.A. 40A:11-1 et. seq.,)The Township of Piscataway does not accept electronic (e-mail) submission of bids.

***Bidders must call the purchasing office at 732-562-2321 to drop off the sealed bid. The Municipal building is closed to the public due to the Covid-19.***

During the Covid-19 pandemic, while the statewide “State of Emergency” declaration is still in effect in according with Executive Order 107 all proposal packets will only be read and opened electronically “BROADCAST LIVE” via ZOOM Bid opening. The Municipal building is closed due to the Covid-19 restrictions. Once the bid opening is concluded bidders must call the Purchasing Agent @ 732-562-2321 to set an appointment if bidders wishes to review any of the bids.

All bids shall be kept sealed , and will be received and publicly opened on the proposal opening date and time in the Township Council Chambers using Virtual teleconferencing which can be access by logging in to zoom in the following manner:

**Join Zoom Meeting:**

Piscataway Purchasing is inviting you to a scheduled Zoom meeting.

**Topic: BID OPENING: ETHEL ROAD ROADWAY IMPROVEMENTS**

**Time: Apr 21, 2022 02:00 PM Eastern Time (US and Canada)**

**Join Zoom Meeting**

**<https://us02web.zoom.us/j/84653904059?pwd=YjVjWXhLd1V4c1dvR2I5QWVuaEk2QT09>**

**Meeting ID: 846 5390 4059**

**Passcode: 685893**

**One tap mobile**

**+13126266799,,84653904059#,,,,\*685893# US (Chicago)**

**+16468769923,,84653904059#,,,,\*685893# US (New York)**

**Dial by your location**

**+1 312 626 6799 US (Chicago)**

**+1 646 876 9923 US (New York)**

**+1 301 715 8592 US (Washington DC)**

**+1 346 248 7799 US (Houston)**

**+1 408 638 0968 US (San Jose)**

**+1 669 900 6833 US (San Jose)**

**+1 253 215 8782 US (Tacoma)**

**Meeting ID: 846 5390 4059**

**Passcode: 685893**

N/A

There will be a pre-bid meeting on\_\_\_\_\_. While attendance is not mandatory, all prospective bidders are strongly encouraged to attend this important meeting, which will be held in the, at a.m. **CONTRACTOR IS ALWAYS ENCOURGE TO GO TO VIEW THE ROAD PROJECT.**

All bidders are required to comply with the requirements of N.J.S.A. 10:5-31 et seq., Affirmative Action Against Discrimination (N.J.A.C. 17:27-1 et seq.) An Initial Project Workforce Report will be required from the successful contractor. (Form AA-201).

Statement of Ownership Requirement: Pursuant to N.J.S.A. 52:25-24.2, Bidders shall submit a statement setting forth the names and addresses of all persons and entities that own ten percent or more of its stock or interest of any type at all levels of ownership.

**Each bid shall be accompanied by a bid bond, cashier's check or certified check made payable to the Township of Piscataway, for ten percent (10%) of the amount of the total bid, however, not to exceed \$20,000.00.**

Bidders are required by law to submit a Statement of Ownership Disclosure form statement setting forth the names and addresses of all persons and entities that own ten (10%) percent or more of its stock or interest of any type at all levels of ownership.

The bid package will also include other documents that must be completed and returned with the bid. Failure to comply with Instructions to Bidders and to complete and submit all required forms, may be cause for disqualification and rejection of the bid.

All contractors named in this proposal, shall possess a valid Public Works Contractor's Registration Certificate pursuant to N.J.S.A. 34:11-56.48 et seq., at the time the proposal is received by the Township of Piscataway. The Township of Piscataway reserves the right to reject any or all bids, pursuant to N.J.S.A. 40A:11-1 et. seq., and to waive any informalities that may be in the best interest of the Township.

MARIA E. VALENTE-CAEMMERER

---

**Purchasing Agent**



***Bidders must call the purchasing office at 732-562-2321 to drop off the sealed bid. The Municipal building is closed to the public due to the Covid-19.***

During the Covid-19 pandemic, while the statewide “State of Emergency” declaration is still in effect in according with Executive Order 107 all proposal packets will only be read and opened electronically “BROADCAST LIVE” via ZOOM Bid opening. The Municipal building is closed due to the Covid-19 restrictions. Once the bid opening is concluded bidders must call the Purchasing Agent @ 732-562-2321 to set an appointment if bidders wishes to review any of the bids.

All bids shall be kept sealed , and will be received and publicly opened on the proposal opening date and time in the Township Council Chambers using Virtual teleconferencing which can be access by logging in to zoom in the following manner: Join Zoom Meeting:

Piscataway Purchasing is inviting you to a scheduled Zoom meeting.

**Topic: BID OPENING: ETHEL ROAD ROADWAY IMPROVEMENTS**

**Time: Apr 21, 2022 02:00 PM Eastern Time (US and Canada)**

Join Zoom Meeting

<https://us02web.zoom.us/j/84653904059?pwd=YjVjWXhLd1V4c1dvR2l5QWVuaEk2QT09>

Meeting ID: 846 5390 4059

Passcode: 685893

One tap mobile

+13126266799,,84653904059#,,,,\*685893# US (Chicago)

+16468769923,,84653904059#,,,,\*685893# US (New York)

Dial by your location

+1 312 626 6799 US (Chicago)

+1 646 876 9923 US (New York)

+1 301 715 8592 US (Washington DC)

+1 346 248 7799 US (Houston)

+1 408 638 0968 US (San Jose)

+1 669 900 6833 US (San Jose)

+1 253 215 8782 US (Tacoma)

Meeting ID: 846 5390 4059

Passcode: 685893

There will be a pre-bid meeting on N/A. While attendance is not mandatory, **all prospective bidders are strongly encouraged to view the road project site.**

All bidders are required to comply with the requirements of N.J.S.A. 10:5-31 et seq., Affirmative Action Against Discrimination (N.J.A.C. 17:27-1 et seq.). An Initial Project Workforce Report will be required from the successful contractor. (Form AA-201).

Contractors bidding on this project are to comply with the requirements of the New Jersey Prevailing Wage Act pursuant to N.J.S.A. 34:11-56.25 et seq.

Each bid shall be accompanied by a bid bond, cashier's check or certified check made payable to the The Township of Piscataway, for ten percent (10%) of the amount of the total bid, however, not to exceed \$20,000.00.

Bidders are required by law to submit a Statement of Ownership Disclosure form statement setting forth the names and addresses of all persons and entities that own ten (10%) percent or more of its stock or interest of any type at all levels of ownership.

Statement of Ownership Requirement: Pursuant to N.J.S.A. 52:25-24.2, Bidders shall submit a statement setting forth the names and addresses of all persons and entities that own ten percent or more of its stock or interest of any type at all levels of ownership.

The bid package will also include other documents that must be completed and returned with 40A;11-1 et seq., the bid. Failure to comply with Instructions to Bidders and to complete and submit all required forms, may be cause for disqualification and rejection of the bid.

The Township of Piscataway reserves the right to reject any or all bids pursuant to N.J.S.A. 40A:11-1 et seq., and to waive any informalities that may be in the best interests of the Township.

MARIA E. VALENTE-CAEMMERER

---

**Purchasing Agent**



# TABLE OF CONTENTS

Review all sections that may affect your work and include applicable requirements. All contracts are based on scope information within the whole document set and are not limited to “trade” drawings and specifications.

<u>Section Title</u>	
<b><u>BID SPECIFICATIONS &amp; GENERAL REQUIREMENTS</u></b>	
	Bid Advertisement
	Table of Contents Bidding Manual
	Ethics in Purchasing Statement to Vendors
	<b><i>Advisory Information for Bidders</i></b>
	1. Promptness of Bid Submittal
	2. Parking
	3. Mail
	4. UPS/FED EX
	5. Hand Deliver Bids – Suggested Practice
	Bid Checklist (A)
	Reminder Checklist (B)
	Return the entire original bid packet intact by the indicated deadline.
<b><u>GENERAL SPECIFICATIONS (for Bidding)</u></b>	
1, 2	<b><i>Instructions to Bidders</i></b>
3	Bid Opening
4	Affirmative Action Requirements
5	American Goods
6	Americans with Disabilities Act; Facilities for Handicapped Persons
7	Anti-Discrimination Provisions—N.J.S.A. 10:2-1
8	Architect or Construction Contract Disputes; Alternate Dispute Resolution Process
9	Bid Guarantee and Bonding Requirements
10	Township Performance Payment Bond Form and Instructions
11	Bid Proposal Form
12	Bidder Comment Sheet
13	Bidder's Responsibility for Bid Submittal
14	Business Registration Certificate
15	Challenges to Bid Specifications
16	Change Orders
17	Contracts
18	Contractor's Registration Evidence
19	Contractor/Vendor Requirements—Office of the New Jersey State Comptroller
20	Debarment, Suspension, or Disqualification
21	Documents, Missing/Illegible
22	Document Signature- Original; Blue Ink
23	Duplicate copy; must be a “PHOTO COPY” of the ORIGINAL.

<u>Section Title</u>	
24	Equipment Certification
25	Examination of Specifications, Acknowledgement
26	False Material Representation
27	Force Majeure
28	Insurance and Indemnity
29	Interpretations and Addenda
30	Iran Disclosure of Investment Activities
31	Liability - Copyright
32	Liquidated Damages
33	Maintenance Bonds
34	Non-Collusion Affidavit
35	Notice (Authorization) to Proceed
36	Payments
37	Payment, Partial, Withholding and Prompt
38	Performance Review
39	Pre-Bid Meeting; Attendance Strongly Encouraged
40	Pre-Qualification of Bidders
41	Prevailing Wages: Construction, Alterations, Repairs
42	Qualification of Bidders
43	Resident Citizens; Preferred in Employment on Public Works Contracts
44	Renewal of Contract
45	Right to Know Law
46	Statement of Ownership Disclosure
47	Subcontracting Disclosure Statement
48	Subcontracting: Prohibitions: Hold Harmless
49	Sworn Contractor Certification; Qualifications and Credentials
50	Taxes; Contractor's Use of Tax ID Number
51	Termination of Contract
52	Withdrawal of Bids
53	Cover Page, Name , Address, Phone number, E-mail Address
<p><b>SUPPLEMENTAL SPECIFICATIONS:</b></p> <ul style="list-style-type: none"> <li>• Award of Contract</li> <li>• Experience</li> <li>• Number of Working Days</li> <li>• Pre-Bid Meeting</li> <li>• Trade Classification</li> </ul>	

**TECHNICAL SPECIFICATIONS**

**BID DOCUMENTS AND REQUIRED DOCUMENTATION**

Acknowledgement of Addenda

Bidder's Comment Form

Bid Bond Form

Contractor Questionnaire/Certification

Contractor's Registration Certification

Equipment Certification

Iran Disclosure of Investment Activities

Non-Collusion Affidavit

Pre-Qualification Affidavit—No Material Adverse Change

Prevailing Wages Certification

Statement of Ownership Disclosure Form

Pay to Play Form

Subcontractor's Disclosure Statement

1. Plumbing and Gas Fitting Work

2. Refrigeration, Heating & Ventilation Systems & Equipment

3. Electrical Work; Tele-Data, Fire Alarm or Security Systems

4. Structural Steel & Iron Work

5. Other Trades

Sworn Contractor Certification; Qualifications and Credentials

Appendix A -- Americans with Disabilities Act of 1990

Exhibit B –Mandatory Language Equal Employment Opportunity

Once awarded:

AA201 Instructions for Completing the Initial Project Workforce Report

AA202 Monthly Project Workforce Report-Construction & Instructions

Township Performance Payment Bond Form with Bid Document & Instructions

Appendix Section

Model Performance Bond – *Sample*

Surety Disclosure Statement and Certification - *Sample*

Sample of Certificate Of Employee Information Report

Sample of Sate of New Jersey Business Registration Certificate

Sample of W-9

Sample of Certificate of Insurance

Sample of Bid Bond Form

Sample of Piscataway Performance Bond Form

Sample of NJ Labor Payroll Forms

Sample of NJ AA-202 Forms

Sample of NJ AA-201 Forms

Sample of NJ AA-302 forms

## ETHICS IN PURCHASING

### **Township Responsibility**

#### **Recommendation of Purchases**

It is the desire of The Township of Piscataway to have all employees and officials practice exemplary ethical behavior in the procurement of goods, materials, supplies, and services.

Officials and employees who recommend purchases shall not extend any favoritism to any vendor. Each recommended purchase should be based upon quality of the items, service, price, delivery, and other applicable factors in full compliance with N.J.S.A. 40A:11-1 et seq.,

#### **Solicitation/Receipt of Gifts – Prohibited**

Officials and employees are prohibited from soliciting and receiving funds, gifts, materials, goods, services, favors, and any other items of value from vendors doing business with The Township of Piscataway or anyone proposing to do business with the Township.

### **Vendor Responsibility**

#### **Offer of Gifts, Gratuities -- Prohibited**

Any vendor doing business or proposing to do business with The Township of Piscataway, shall neither pay, offer to pay, either directly or indirectly, any fee, commission, or compensation, nor offer any gift, gratuity, or other thing of value of any kind to any official or employee of The Township of Piscataway or to any member of the official's or employee's immediate family.

#### **Vendor Influence -- Prohibited**

No vendor shall cause to influence or attempt to cause to influence, any official or employee of the Township of Piscataway, in any manner which might tend to impair the objectivity or independence of judgment of said official or employee.

### **Vendor Certification**

Vendors or potential vendors will be asked to certify that no official or employee of The Township of Piscataway or immediate family members are directly or indirectly interested in this request or have any interest in any portions of profits thereof. The vendor participating in this request must be an independent vendor and not an official or employee of the Township.

MARIA E. VALENTE-CAEMMERER

---

Purchasing Agent

## TOWNSHIP OF PISCATAWAY

### ADVISORY INFORMATION FOR BIDDERS

1. PROMPTNESS OF BID SUBMITTAL

It is the responsibility of the bidder to ensure that their bid is presented in a sealed envelope and submitted to the Purchasing Office, prior to the advertised bid date and time **Via ZOOM**. The advertised bid date and time for this bid is on **Thursday, April 21, 2022 @ 2:00pm**. No bids shall be received after the time designated in the bid advertisement. No extensions or exceptions will be made. The Purchasing Office is opened Monday through Friday from 8:30am – 4:30pm and closed for lunch from 12:20pm to 1:30pm. Once again, bids will not be received after the time designated in the advertisement. Bidders must call Purchasing @732-562-2321 to hand deliver the sealed bid. The Municipal Building is closed due to the Covid-19.

2. PARKING

***Allow enough time to locate a parking space.***

3. MAIL

Mail is brought to the Clerk's Offices in mailbags, approximately 11:30am each day. The mail is then sorted within the Township system, by departments. The Clerk's Office routinely receives its mail at approximately 11:30am. The Clerk will personally turn it in to the Purchasing Agent before the advertised date and time.

4. UPS / FED EX / AND OTHER EXPRESS DELIVERY SERVICES

Deliveries of this type usually begin at 9:00 a.m. These items are brought only to the Clerk's Office. The Clerks Office then calls the various departments with a request to pick up their items. The Clerk will personally turn it in to the Purchasing Agent before the advertised date and time.

5. HAND DELIVER BIDS – SUGGESTED PRACTICE

Keeping the aforementioned items in mind, the Township suggests that bidders arrange to hand deliver their bid to the Purchasing Office to the Purchasing Agent before the advertised date and time. Please understand that bids arriving after the advertised bid date and time, for any reason, cannot be accepted, opened or considered.

**Submission of (1) Original Bid in [Blue Ink](#) and (1) Photo Copy of the original marked "TRUE COPY".**

***Required (1) Original Bid Bond only with the Original bid packet.***

***All bids are to be submitted in duplicate; one (1) Original; one (1) Photo Copy of the Original Marked "TRUE COPY. No originals in the True copy***

**Bidders must call the purchasing office at 732-562-2321 to drop off the sealed bid. The Municipal building is closed to the public due to the Covid-19.**

During the Covid-19 pandemic, while the statewide “State of Emergency” declaration is still in effect in according with Executive Order 107 all proposal packets will only be read and opened electronically “BROADCAST LIVE” via ZOOM Bid opening. The Municipal building is closed due to the Covid-19 restrictions. Once the bid opening is concluded bidders must call the Purchasing Agent @ 732-562-2321 to set an appointment if bidders wishes to review any of the bids.

All bids shall be kept sealed , and will be received and publicly opened on the proposal opening date and time in the Township Council Chambers using Virtual teleconferencing which can be access by logging in to zoom in the following manner: Join Zoom Meeting:

Piscataway Purchasing is inviting you to a scheduled Zoom meeting.

**Topic: BID OPENING: ETHEL ROAD ROADWAY IMPROVEMENTS**

**Time: Apr 21, 2022 02:00 PM Eastern Time (US and Canada)**

Join Zoom Meeting

<https://us02web.zoom.us/j/84653904059?pwd=YjVjWXhLd1V4c1dvR2l5QWVuaEk2QT09>

Meeting ID: 846 5390 4059

Passcode: 685893

One tap mobile

+13126266799,,84653904059#,,,,\*685893# US (Chicago)

+16468769923,,84653904059#,,,,\*685893# US (New York)

Dial by your location

+1 312 626 6799 US (Chicago)

+1 646 876 9923 US (New York)

+1 301 715 8592 US (Washington DC)

+1 346 248 7799 US (Houston)

+1 408 638 0968 US (San Jose)

+1 669 900 6833 US (San Jose)

+1 253 215 8782 US (Tacoma)

Meeting ID: 846 5390 4059

Passcode: 685893

## Township of Piscataway

### BID CHECKLIST (A)

A. Bid packages must be submitted in duplicate on the proposed forms as provided, and in the manner designated. The Township of Piscataway will accept one original bid package and one copy of the bid package. Please include all items, organized as follows:

1. Addenda, Acknowledgement
2. Americans with Disabilities Act—Acknowledgement
  
3. Bid Proposal Form
4. Bid Guarantee (Bid Bond, Cashier's Check, or Certified Check) Twp Bid Bond Form
5. Business Registration Certificate -- New Jersey—Submit with bid or prior to award of contract
6. Certificate (Consent) from Surety
7. Contractor Questionnaire / Certification
8. Contractor's Registration Certification
9. Contractor Registration Certificate—Submit with bid or prior to award of contract
10. Equipment Certification
11. Iran Disclosure of Investment Activities
12. Non-Collusion Affidavit
13. Notice of Classification Form
14. Prequalification Affidavit—No Material Adverse Change
15. Prevailing Wages Certification
16. Statement of Ownership Disclosure
17. Subcontractor's Disclosure Statement and all required attachments for subcontractors.
18. Sworn Contractor Certification; Qualifications and Credentials
19. Bidder Comment Form - Optional
20. Bid Cover Page, with name ,address ,phone number, E-mail address **REQUIRED**
21. Hold Harmless Agreement
22. Pay to Play From

Failure to submit the above listed documents with the bid package may be cause for rejection of the entire bid for being non-responsive

## THE TOWNSHIP OF PISCATAWAY

### BID CHECKLIST (B)

#### B. Reminder Checklist

As a courtesy, the Office of the Purchasing Agent has prepared this reminder checklist to items pertaining to this bid. The checklist is not considered to be all-inclusive. Bidders are to read and become familiar with all instructions outlined in the bid package.

<u>Item</u>	<u>Yes</u>	<u>No</u>
1. Have you verified your pricing to ensure accuracy?		
2. Have you answered every question fully and accurately?		
3. Have you signed all your documents ( <b>Blue Ink</b> )? No facsimile signature.		
4. Have you prepared all documents for submission?		
5. Did you make a copy of the bid package for your records?		
6. Did you make a Photo Copy of the original and marked "True Copy" of the original bid for the Township? No Original documents on the True Copy.		
7. Did you submit a signed Bid Guarantee? Signed Consent of Surety? Only one original is <u>required</u> in the Original Bid packet.		
8. Did you correctly address the envelope, title of bid?		
9. Have you allowed ample time for the bid to reach the Clerk's Office?  _____		
10. <b>REQUIRED:</b> Bid Cover Page: Name, Address, Phone Number, E-mail Address?		



Bid No. 2022-03-08

# THE TOWNSHIP OF PISCATAWAY

## ETHEL ROAD ROADWAY IMPROVEMENTS



# GENERAL SPECIFICATIONS



**MARIA E. VALENTE-CAEMMERER**

---

Purchasing Agent

**THE TOWNSHIP OF PISCATAWAY**  
**ETHEL ROAD ROADWAY IMPROVEMENTS**

**INSTRUCTIONS TO BIDDERS**

**1. BIDS ARE TO BE SUBMITTED TO:**

\_\_\_\_\_  
Division of Purchasing/ Attention Purchasing Agent  
The Township of Piscataway  
455 Hoes Lane  
Piscataway, New Jersey 08854

BY: **2:00 p.m.** PREVAILING TIME

ON: **Thursday, April 21, 2022**

By mail, delivery service or in person. Bids that are submitted are to be sealed and will be unsealed and announced at the bid opening meeting.

- 2. Bid Packages to be submitted in Duplicate.** Bids must be placed in a *sealed* envelope/package marked as shown below on the front of the envelope/package. Bid packages must be submitted **in duplicate** on the proposed bid submittal forms as provided, and in the manner designated. The Township of Piscataway requires one original bid package, one duplicate true copy of the bid package. The extra copies are necessary for processing of the bids. Bidders should also keep a complete copy of the bid packet, exactly as submitted.

Outside of Envelope Label Information:

Township: **THE TOWNSHIP OF PISCATAWAY**  
Bid Number: **2022-03-08**  
Project: **ETHEL ROAD ROADWAY IMPROVEMENTS**  
Bid Date: **Thursday, April 21, 2022**  
Bid Time: **2:00pm (BROADCAST LIVE Via ZOOM)**

*Bidder: Name of Company*  
*Address*  
*City,*  
*State, Zip*

**Failure to properly label the bid envelope may be cause for the rejection of the bid.**

The Township of Piscataway does not accept electronic (e-mail) submission of bids.

**3. BID OPENING MEETING**

All bids will be publicly received and unsealed by the Purchasing Agent opened at the above address and read beginning at **2:00pm** on **Thursday April 21, 2022**. Bidders and/or their authorized agents, and the general public are invited to be present at the bid opening **Via ZOOM**. It is the responsibility of each bidder to ensure that their bid is complete and presented to the Purchasing Agent prior to the advertised bid date and time. No bids shall be received or accepted by The Township of Piscataway after the advertised bid date and time.

## **BIDDING REQUIREMENTS**

### **4. AFFIRMATIVE ACTION—EQUAL EMPLOYMENT OPPORTUNITY IN PUBLIC CONTRACTS--EEO**

The construction contractor shall complete and submit an Initial Project Workforce Report, **Form AA-201** upon notification of award by the governing body. Proper completion and submission of this Report shall constitute evidence of the contractor's compliance with the regulations. Failure to submit this form may result in the contract being terminated. The contractor also agrees to submit a copy of the Monthly Project Workforce Report, **Form AA-202** once a month thereafter for the duration of the contract to the Department of Labor Workforce and Development and to The Township of Piscataway Public Agency Compliance Officer.

All bidders should familiarize themselves with N.J.S.A. 10:5-31 et seq. and N.J.A.C. 17:27-1.1 et seq. MANDATORY EQUAL EMPLOYMENT OPPORTUNITY LANGUAGE—EXHIBIT B. If awarded a contract, your company/firm will be required to comply with the above requirements.

All relevant questions should be related to:

Department of Treasury  
Division of Purchase and Property  
Contract Compliance and Audit Unit  
EEO Monitoring Program—PO Box 206  
Trenton, New Jersey 08625-0206  
(609) 292-5473

### **5. AMERICAN GOODS**

In accordance with N.J.S.A. 40A:11-1 et seq., only manufactured products of the United States, wherever available, and where possible are to be used with this project.

### **6. AMERICANS WITH DISABILITIES ACT; FACILITIES FOR HANDICAPPED PERSONS**

The contractor must comply with all provisions of Title II of the Americans with Disabilities Act (ADA), P.L. 101-336, in accordance with 42 U.S.C. 121.01 et seq. The Township of Piscataway further recognizes that all specifications for the construction, remodeling or renovation of any public building shall provide facilities for the physically handicapped.

It is further recommended that bidders are required to read the Americans with Disabilities language form that is included in these specifications. The form shall be signed to show agreement with the provisions of Title II of the Act and the provisions are to be made a part of the contract. The signed form shall be submitted with the bid proposal. The contractor is obligated to comply with the Act and to hold the owner harmless.

**7. ANTI-DISCRIMINATION PROVISIONS—N.J.S.A. 10:2-1**

N.J.S.A. 10:2-1. Antidiscrimination provisions. Every contract for or on behalf of the State or any county or municipality or other political subdivision of the State, or any agency of or authority created by any of the foregoing, for the construction, alteration or repair of any public building or public work or for the acquisition of materials, equipment, supplies or services shall contain provisions by which the contractor agrees that:

a. In the hiring of persons for the performance of work under this contract or any subcontract hereunder, or for the procurement, manufacture, assembling or furnishing of any such materials, equipment, supplies or services to be acquired under this contract, no contractor, nor any person acting on behalf of such contractor or subcontractor, shall, by reason of race, creed, color, national origin, ancestry, marital status, gender identity or expression, affectional or sexual orientation or sex, discriminate against any person who is qualified and available to perform the work to which the employment relates;

b. No contractor, subcontractor, nor any person on his behalf shall, in any manner, discriminate against or intimidate any employee engaged in the performance of work under this contract or any subcontract hereunder, or engaged in the procurement, manufacture, assembling or furnishing of any such materials, equipment, supplies or services to be acquired under such contract, on account of race, creed, color, national origin, ancestry, marital status, gender identity or expression, affectional or sexual orientation or sex;

c. There may be deducted from the amount payable to the contractor by the contracting public agency, under this contract, a penalty of \$50.00 for each person for each calendar day during which such person is discriminated against or intimidated in violation of the provisions of the contract; and

d. This contract may be canceled or terminated by the contracting public agency, and all money due or to become due hereunder may be forfeited, for any violation of this section of the contract occurring after notice to the contractor from the contracting public agency of any prior violation of this section of the contract.

No provision in this section shall be construed to prevent the township from designating that a contract, subcontract or other means of procurement of goods, services, equipment or construction shall be awarded to a small business enterprise, minority business enterprise or a women's business enterprise pursuant to P.L..).

**8. ARCHITECT OR CONSTRUCTION DISPUTES; ALTERNATIVE DISPUTE RESOLUTION PROCESS**

All disputes relating to construction contracts or relating to contracts for engineers or architects, surveyors, design or skilled services relating to construction contracts for prompt payment issues shall be submitted to the following Alternative Dispute Resolution process (“ADR”):

All disputes shall first be submitted to the architect of record, if there is one, for a determination. If thirty (30) days pass without a determination by the architect or a determination is made that does not resolve the dispute, then the claims shall be submitted for non-binding mediation by a single mediator.

The mediation shall be held where the project is located before a mediator who is mutually acceptable to the parties. The parties shall share the mediator’s fees equally. If the dispute is submitted for mediation the neutral party involved must demonstrate knowledge of the Local Public Contracts Law.

Nothing shall prevent either party from seeking injunctive or declaratory relief in court at any time.

The alternative dispute resolution practices required by this section shall not apply to disputes concerning the bid solicitation process, or to the formation of contracts.

The Bidder further agrees to include a similar provision in all agreements with independent contractors and consultants retained for the project and to require all independent contractors to include similar mediation provisions in all agreements with subcontractors, suppliers or fabricators so retained, thereby providing for mediation as the primary method for dispute resolution between the parties to those agreements. The arbitration of claims is expressly excluded under this Contract.

If the parties cannot resolve their dispute through the mediation process, the parties are free to file an action in the appropriate court of law.

**\*\*AIA- Document's will Not be accepted by The Township of Piscataway. Sample of acceptable Bid Bond Form in the bid.**

**9. BID GUARANTEE AND BONDING REQUIREMENTS**

**A. Bid Guarantee** Bidders shall submit with their bid package a bid guarantee made payable to: The Township of Piscataway ("Township"). The guarantee shall be in the form of a certified check, cashier's check or bid bond in the amount of 10% of the bid, but not in excess of \$20,000. Such deposit shall be forfeited upon refusal of a bidder to execute a contract. Any bid in the form of a check shall be returned when the contract is executed and surety (performance) bond filed with the Township.

The bid guarantee check for unsuccessful bidders, if requested, will be returned as soon after the bid opening as possible, but in no event later than (10) days after the bid opening.

Please note: Uncertified business checks, personal checks or money orders are not acceptable.

All bid bonds submitted must be signed and witnessed with original signatures. The Township will not accept facsimile or rubber stamp signatures on the bid bond. **Failure to sign the bid bond by either the Surety or Principal, and/or failure to submit the properly executed bid bond with the bid package, shall be deemed cause for disqualification and rejection of the bid.**

The Attorney-in-Fact who executes the bond on behalf of the surety shall affix to the bond a certified and current copy of the Power of Attorney. The Township of Piscataway will only accept bid bonds from companies that are licensed and qualified to do business in the State of New Jersey. Such a list may be available upon request to the State of New Jersey, Department of Banking and Insurance, P.O. 040, Trenton, New Jersey 08625. **Failure to submit a properly executed bid guarantee shall be cause for disqualification and rejection of bid.**

Please note: The name, address and phone number of the Bond Underwriter as well as the Bond Number shall be included with all bonds submitted to the Township.

**B. Certificate (Consent) of Surety—N.J.S.A. 40A:11-1 et seq.,**

Each bidder must submit with his bid a certificate from a surety company stating that the surety company will provide the contractor with a performance bond in an amount equal to the amount of the contract (N.J.S.A. 40A-11-1 et seq.). Such surety company must be licensed and qualified to do business in the State of New Jersey. All certificate (consent) of surety documents must be signed with original signatures.

The Township will not accept facsimile or rubberstamp signatures. The certificate (consent) of surety, together with a power of attorney must be submitted with the bid. Submission of a Consent of Surety which contains any prior conditions upon the Surety's issuance of the required Bonds (other than the award of the contract) may be cause for rejection of the bid.

(1) Original Bid Bond with the Original bid packet only.

**\*\*AIA- Document's will Not be accepted by The Township of Piscataway. Sample of acceptable Bid Bond Form in the bid.**

**Failure to sign the Certificate (Consent) of Surety by either the Surety or Principal, and/or failure to submit the properly executed Certificate (Consent) of Surety with the bid package, shall be deemed cause for disqualification and rejection of the bid.**

**\*\*AIA- Documents will Not be accepted by The Township. Bidders must use Township Performance Payment Bond Form in the bid(-Sample)**

**C. Performance Bond--(N.J.S.A. 2A:44-143/2A:44-147)**

The successful contractor shall furnish a Performance, Payment and Completion Bond in a sum of at least one hundred percent (100%) of the total amount payable by the terms of his Contract. Such written guarantee shall be made payable to the Township of Piscataway and shall be in the form required by Statute. Attached to the performance bond shall be a Surety Disclosure Statement and Certification which shall be complete in all respects and duly acknowledged according to law. A model Surety Disclosure Statement and Certification is presented in the Appendix Section of this proposal.

Such bond shall further carry a stipulation that no advance, premature, excessive or delayed payments by the Township shall in any way affect the obligation of the Surety on its bond.

Such bond shall further stipulate that no payments made to the contractor, nor partial or entire use of occupancy of the work by the Township shall be an acceptance of any work or materials not in accordance with this Contract and the Surety shall be equally bound to the same extent as the Contractor.

It is expressly stipulated that the Surety for the Contractor on the project shall be obligated to make periodic inquiries of the Township at reasonable times, to determine whether its Principal has performed or was performing the Contract in accordance with all its terms and conditions, particularly in relation to the progress payments scheduled under said Contract with the Township.

In the event the Contractor defaults or fails to perform or finish the work prescribed under the Contract for any reason whatsoever, it shall become the unqualified obligation the Surety for the defaulting contractor to complete the Contract in accordance with its terms following receipt of notice from the Township of such default.

The Township shall only accept one payment and performance bond to cover this public works contract. The performance bond shall contain language as found in N.J.S.A. 2A:44-14. The bond form language is presented in the Appendix Section of this proposal.

Such Performance, Payment and Completion Bond shall be executed and delivered to The Township of Piscataway when so requested by the Notice to Proceed Letter or within ten (10) days after the award of contract.

The Township of Piscataway will only accept performance bonds from surety companies that are licensed and qualified to do business in the State of New Jersey, and if the amount of the bond is \$850,000 but not more than \$3.5 million, the surety shall hold a current certificate of authority, issued by the United States Secretary of the Treasury pursuant to 31 U.S.C. 9305. (N.J.S.A. 2A:44-143 (b))

Please note: The name, address, and phone number of the Bond Underwriter as well as the Bond Number shall be included with all bonds submitted to The Township of Piscataway and must be duly signed with original signatures.

When applicable, for multi-year contracts and for extension of contracts, the Performance Bond may be re-submitted each year on the contract anniversary date for one hundred per cent (100%) of the contract amount.

**\*\*AIA- Document's will Not be accepted by The Township of Piscataway. Bidders must use Township Performance Payment Bond Form in the bid. Sample of Township Form in the bid.**

**BID RESULTS.** Preliminary bid results you can E-mail [purchasing@piscatawaynj.org](mailto:purchasing@piscatawaynj.org) generally within **24-36 hours after date and time of bid opening**

## **10. BID PROPOSAL FORM**

All bids are to be written in by typewriter or ink in a legible manner on the official Bid Proposal Form. Any bid price showing any erasure or alteration must be initialed by the bidder in ink, at the right margin next to the altered entry. Failure to initial any erasure or alteration may be cause to disqualify that particular bid entry. If the disqualified entry is a required one, the entire bid may be subject to rejection, so please fill out all entries with care.

### *Business Organization*

Each Bid Proposal Form must give the full business address, business phone, fax, e-mail, the contact person of the bidder, and be signed by an authorized representative as follows:

- Bids by partnerships must furnish the full names of all partners and must be signed in the partnership name by one of the members of the partnership or by an authorized representative, followed by the signature and designation of the person signing.
- Bids by corporations must be signed in the legal name of the corporation, followed by the name of the State in which incorporated and must contain the signature and designation of the president, secretary or other person authorized to bind the corporation in the matter.
- Bids by sole-proprietorship shall be signed by the proprietor.
- When requested, satisfactory evidence of the authority of the officer signing shall be furnished.

The Bid Proposal Form must be duly signed by the authorized representative of the company, at the end of the Bid Proposal Form. **Failure to sign in Blue Ink the Bid Proposal Form may be cause to disqualify the entire bid.** If the Bid Proposal Form contains more than one sheet, then bidders are requested to affix the company name and address on each intervening sheet between the front sheet and the signature sheet which already bear the company information.

The Township of Piscataway will not consider any bid on which there is any alteration to, or departure from, the bid specifications. Bidders are not to make any changes on the Bid Proposal Form, or qualify their bid with conditions differing from those defined in the contract documents. If bidders do make changes on the Bid Proposal Form, except as noted above for initialed clerical mistakes, it may be cause to disqualify that particular bid as non-responsive. (N.J.S.A. 40A:11-1 et seq.,)

The bidder also conveys by submitting a bid that the company he represents is financially solvent, experienced in and competent to perform the type of work so specified.



## 11. **BIDDER COMMENT SHEET**

This form is for the Bidder's use in offering voluntary alternates, or other comments intended to afford the Township information or opportunities to improve the quality of the project, without invalidating the bid proposal. It may *not* be used to take exception to specific conditions of the project defined in the contract documents which the Bidder does not like. The bid provided must be based upon the plans and specifications, and all contract conditions, as stated. If these documents or conditions contain some untenable item, or extremely expensive provision, for example, to which the Bidder wishes to raise objection, this must be done at the pre-bid meeting, or in writing to the Purchasing office at: [Purchasing@piscatawaynj.org](mailto:Purchasing@piscatawaynj.org) through the question process outlined in the Instructions to Bidders. Such inquiries will have response issued by addendum only, and the resulting decision circulated to all bidders of record.

## 12. **BIDDER'S RESPONSIBILITY FOR BID SUBMITTAL**

It is the responsibility of the bidder to ensure that their bid is presented to The Township of Piscataway and officially received before the advertised date and time of the bid. It is understood and agreed upon that any person in The Township of Piscataway will be absolved from responsibility for the premature opening of any bid not properly labeled and sealed. Failure to properly label the bid envelope may be cause for the rejection of the bid. **PROPERLY NAME OF THE BID: OUTSIDE OF THE ENVELOPE MUST BE LABEL CLEAR.**

Bids must be submitted on the proposal forms contained in the bid package and be in a sealed envelope addressed to the Purchasing Agent at the address above. The sealed envelope must be CLEARLY MARKED BID with the name and address of the bidder and the project number and name on the outside of the envelope. If the bid is sent by overnight or express mail, the above designation shall also be CLEARLY MARKED on the outside of the courier company envelope.

Any proposal received not complying with these requirements shall not be opened and shall be returned to sender marked "Unresponsive".

**QUESTIONS REGARDING PLANS & SPECIFICATIONS.** Should any bidder be in doubt as to the intent of the Plans and Specifications, he should immediately notify the Purchasing Agent in writing, who will send a written addendum to all bidders covering the point in question. Bidders may not rely upon oral before submitting bids, the bidder shall apply in writing to the Purchasing Agent for clarification or interpretation of any conflicting information between two or more statements in the Plans and Specifications. If such clarification is not requested before bidding, the bidder shall be responsible for doing such work and furnishing such materials, as is necessary to comply with whichever interpretation of the Plans and Specifications the Engineer may, during construction, judge to be proper. Question to be E-mailed to [Purchasing@piscatawaynj.org](mailto:Purchasing@piscatawaynj.org)

### **13. BUSINESS REGISTRATION CERTIFICATE (N.J.S.A. 52:32-44)**

Pursuant to N.J.S.A. 52:32-44 as amended, a contractor shall provide the contracting agency with the business registration of the contractor and that of any named subcontractor prior to the time a contract, purchase order, or other contracting document is awarded or authorized. At the sole option of the contracting agency, the requirement that a contractor provide proof of business registration may be fulfilled by the contractor providing the contracting agency sufficient information for the contracting agency to verify proof of registration of the contractor, or named subcontractors, through a computerized system maintained by the State.

#### Request of the Township

All bidders or companies providing responses for requested proposals, are **requested** to submit with their response package a copy of their "New Jersey Business Registration Certificate" as issued by the Department of Treasury of the State of New Jersey.

**The Township reminds all respondents that failure to submit the New Jersey Business Registration Certificate prior to the award of contract will result in the rejection of the proposal.**

A subcontractor named in a bid or other proposal made by a contractor to a contracting agency shall provide a copy of its business registration to any contractor who shall provide it to the contracting agency pursuant to the provisions of subsection b. of this section. No contract with a subcontractor shall be entered into by any contractor under any contract with a contracting agency unless the subcontractor first provides the contractor with proof of a valid business registration.

The contractor shall maintain and submit to the contracting agency a list of subcontractors and their addresses that may be updated from time to time during the course of the contract performance. A complete and accurate list shall be submitted before final payment is made for goods provided or services rendered or for construction of a construction project under the contract. A contracting agency shall not be responsible for a contractor's failure to comply with this subsection.

A contractor or a contractor with a subcontractor that has entered into a contract with a contracting agency, and each of their affiliates, shall collect and remit to the Director of the Division of Taxation in the Department of the Treasury the use tax due pursuant to the "Sales and Use Tax Act," P.L.1966, c.30 (C.54:32B-1 et seq.) on all their taxable sales of tangible personal property delivered into this State.

**STATE OF NEW JERSEY**  
**BUSINESS REGISTRATION CERTIFICATE**  
**FOR STATE AGENCY AND CASINO SERVICE CONTRACTORS**

DEPARTMENT OF TREASURY  
 DIVISION OF REVENUE  
 PO BOX 252  
 TRENTON, N.J. 08646-0252


TAXPAYER NAME: TAX REGISTRATION TEST ACCOUNT  
 TAXPAYER IDENTIFICATION#: 970-097-382/500  
 ADDRESS: 847 ROEBLING AVE  
 TRENTON NJ 08611  
 EFFECTIVE DATE: 01/01/01  
 FORM-BRC(08-01)

TRADE NAME: CLIENT REGISTRATION  
 SEQUENCE NUMBER: 0107330  
 ISSUANCE DATE: 07/14/04

Acting Director  
*John S. Tully*

This Certificate is NOT assignable or transferable. It must be conspicuously displayed at above address.

**SAMPLES OF**  
**NEW JERSEY**  
**BUSINESS REGISTRATION**  
**CERTIFICATES**

 **STATE OF NEW JERSEY**  
**BUSINESS REGISTRATION CERTIFICATE**

Taxpayer Name: TAX REG TEST ACCOUNT  
 Trade Name:  
 Address: 847 ROEBLING AVE  
 TRENTON, NJ 08611  
 Certificate Number: 1093907  
 Date of Issuance: October 14, 2004

For Office Use Only:  
 20041014112823533

**N.J.S.A. 54:49-4.1: Violations of Registration Requirements; Penalties.**

A business organization that fails to provide a copy of a business registration as required pursuant to section 1 of P.L.2001, c.134 (C.52:32-44 et al.) or subsection e. or f. of section 92 of P.L.1977, c.110 (C.5:12-92), or that provides false information of business registration under the requirements of either of those sections, shall be liable for a penalty of \$25 for each day of violation, not to exceed \$50,000 for each business registration copy not properly provided under a contract with a contracting agency or under a casino service industry enterprise contract.

**14. CHALLENGES TO BID SPECIFICATIONS (N.J.S.A. 40A:11-1 et seq.,)**

Any prospective bidder who wishes to challenge a bid specification shall file such challenges in writing with the Purchasing Agent no less than three (3) days prior to the opening of bids. Challenges filed after that date shall be considered void and having no impact on The Township of Piscataway or the award of a contract.

**15. CHANGE ORDERS (N.J.A.C. 6A:26-4.9, 4.10 et seq.) (N.J.A.C. 5:30-11.1 et seq.)**

**The Township Approval Required; Prior to Issuance of Change Order (N.J.A.C. 5:30-11.2)**

Change orders may be approved by The Township of Piscataway in an amount up to twenty percent (20%) when necessitated by one of the following:

- Emergencies consistent with N.J.S.A. 40A:11-1 et. Seq.;
- Unforeseeable physical conditions; or
- Minor modification to the project/scope that achieve cost savings, improve service or resolve construction conditions.

**Contractors are prohibited to perform any change order unless so directed in writing by the Township, Office of the Purchasing Agent.**

## 16. CONTRACTS

### A. Award of Contract; Rejection of Bid

The contract shall be awarded, if at all, to the lowest responsible bidder as determined by the Township. The Township of Piscataway reserves the right to reject any or all bids as authorized by the Local Public Contracts Law, and to waive any informalities the Township feels are in the best interests of the Township.

#### Award the Contract or Reject All Bids--Sixty (60) Days

Pursuant to N.J.S.A. 40A:11-1 et seq., The Township of Piscataway shall award the contract or reject all bids within sixty (60) days of the advertised date and time, except that bids of any bidders who consent thereto may, at the request of the Township, be held in consideration for such longer period as may be agreed.

### B. Equal Prices

Pursuant to the statute when two or more bidders submit equal prices and the prices are the lowest responsible bids, the Township may award the contract to the vendor whose response, in the discretion of the Township, is the most advantageous, price and other factors considered.

EQUAL OR TIE BID. The Township of Piscataway reserves the right to award at their discretion, in the best interest of the Township and with reference to the information submitted with the proposals, to any of the tie bidders.

UNIT PRICES. All unit prices, and all lump sum prices, in the bid proposal shall include all applicable fees, cost, and tax (if any) relating to project, and all charges for overhead, profit, insurance, etc. The successful bidder will not be responsible for real property tax on any property of the Owner, including the site of the project. Bid proposal amount will exclude all Federal Excise Tax and sales tax of all states, except those if any.

PRICING ERROR. If a pricing error is discovered after bid opening between the unit price and the total extended price, the unit price shall prevail.

RIGHTS RESERVED BY TOWNSHIP. The Township reserves the right to reject any and all bids, to waive any informalities or irregularities in the bids received, and to accept any bid which is deemed most favorable to the Township of Piscataway, New Jersey, at the time and under the conditions stipulated. Proposals incorporating deviations which, in the judgment of the Purchasing Agent, are a clear departure from the intent and purpose of these specifications will not be considered.

### C. Return of Contracts and Related Contract Documents

Upon written notification of award of contract by the Township, the contractor shall sign and execute a formal contract agreement between the township and Contractor and return the executed contracts along with:

1. Performance Bond in the total amount of the contract.
2. Insurance Certificate with The Township of Piscataway named as an additional insured.
3. Affirmative Action Form AA-201 - Initial Project Workforce Report - Yellow copy.
4. Other required documents as may be outlined in bid specifications & Instructions.

The above documents may also be required for submission with the official Notice to Proceed. The contracts and related documents shall be returned to the Office of the Purchasing Agent within **ten (10) days of receipt of notification**. Failure to execute the contract and return said contract and related required documents within the prescribed time may be cause for the annulment of award by the Township with the bid security becoming property of the Township.

D. Alterations of Contract

The Township of Piscataway reserves the right to alter or amend the contract by adding to or subtracting from the work herein specified, such additions or omissions being done under the general conditions of these specifications and the terms of the Contract. No changes shall be permitted from the specifications except that the same be in writing and the amount of the extra compensation or credit stipulated therein. Refer to Change Order Section.

E. Term of Contract

The contractor, to whom the contract is awarded, will be required to do and perform the work/services and to provide and furnish the materials in connection therewith in accordance with **the plans and specifications on or before the date listed in the Technical Specifications.**

F. Purchase Order Required

No contractor shall commence any public works project until he is in receipt of an approved purchase order authorizing work to begin. (See Notice (Authorization) to Proceed)

**TERM/COMPLETION OF THE PROJECT: AS PER SPECIFICATION/PROPOSAL PAGES**

## **17. CONTRACTOR'S REGISTRATION EVIDENCE**

### A. Valid Certificate – Receipt of Bid

All contractors must adhere to the provisions of the Public Works Contractor Registration Act – N.J.S.A. 34:11-56.48 et seq. The PWCRA requires that *“No contractor shall bid on any contract for public work . . . unless the contractor is registered pursuant to this act.”* The law requires that all contractors and sub-contractors named in the proposal possess a valid certificate at the time the proposal is received by the contracting unit, in this case the Township.

### B. Submission of Certificate – Receipt of Bid--Requested; Prior to Award--Mandatory

All bidders **are requested** to submit with the bid package a current Public Works Contractor Registration Certificate that was issued prior to the receipt of the bid.

The contractor who most likely is to be considered for the contract award, must submit a copy of the current Public Works Contractor Registration Certificate, and if applicable, copies of certifications of all listed subcontractors, prior to the award of contract. **If the successful contractor fails to provide copies of certificates prior to the award of contract, the bid may be rejected as non-responsive.**

For more information contact:

Contractor Registration Unit  
Division of Wage and Hour Compliance  
New Jersey Department of Labor & Workforce Development  
PO Box 389  
Trenton, New Jersey 08625-0389  
Tel: 609-292-9464  
Fax: 609-633-8591  
E-mail: [wage.hour@dol.nj.gov](mailto:wage.hour@dol.nj.gov)  
Website: [lwd.dol.state.nj.us/labor/wagehour/content/contact\\_us.html](http://lwd.dol.state.nj.us/labor/wagehour/content/contact_us.html)

**18. CONTRACTOR/VENDOR REQUIREMENTS—OFFICE OF THE NEW JERSEY STATE COMPTROLLER**

Contractors/vendors doing business with The Township of Piscataway are reminded of the following legal requirements pertaining to the Office of the New Jersey State Comptroller:

**A. Access to Relevant Documents and Information—N.J.S.A. 52:15C-14 (d)**

Private vendors or other persons contracting with or receiving funds from a unit in the Executive branch of State government, including an entity exercising executive branch authority, independent State authority, public institution of higher education, or unit of local government or the township shall upon request by the State Comptroller provide the State Comptroller with prompt access to all relevant documents and information as a condition of the contract and receipt of public monies. The State Comptroller shall not disclose any document or information to which access is provided that is confidential or proprietary. If the State Comptroller finds that any person receiving funds from a unit in the Executive branch of State government, including an entity exercising executive branch authority, independent State authority, public institution of higher education, or unit of local government or the township refuses to provide information upon the request of the State Comptroller, or otherwise impedes or fails to cooperate with any audit or performance review, the State Comptroller may recommend to the contracting unit that the person be subject to termination of their contract, or temporarily or permanently debarred from contracting with the contracting unit.

**B. Maintenance of Contract Records—N.J.A.C. 17:44-2.2**

Relevant records of private vendors or other persons entering into contracts with covered entities are subject to audit or review by OSC pursuant to N.J.S.A. 52:15C-14(d).

The contractor/vendor to whom a contract has been awarded, shall maintain all documentation related to products, transactions or services under this contract for a period of five years from the date of final payment. Such records shall be made available to the New Jersey Office of the State Comptroller upon request.

**19. DEBARMENT, SUSPENSION, OR DISQUALIFICATION – (N.J.A.C. 17:19-1.1 et seq.)**

The Township of Piscataway will not enter into a contract for work with any person, company or firm that is on the State Department of Labor and Workforce Development; Prevailing Wage Debarment List, or the State of New Jersey Consolidated Debarment Report ([www.state.nj.us/treasury/debarred](http://www.state.nj.us/treasury/debarred)) or the Federal System for Award—SAM.gov.

All bidders are required to submit a sworn statement indicating whether or not the bidder is, at the time of the bid, included on the State Department of Labor and Workforce Development; Prevailing Wage Debarment List or the State of New Jersey Consolidated Debarment Report, or the Federal Debarred Vendor List--Excluded Parties List System, through the System for Award Management portal—SAM.gov.



**20. DOCUMENTS, MISSING/ILLEGIBLE**

The bidder shall familiarize himself with all forms provided by the Township that are to be returned with the bid. If there are any forms either missing or illegible, it is the responsibility of the bidder to contact the Purchasing Agent during regular business hours or the JOSEPH HERRERA of the project as outlined in the bid advertisement for duplicate copies of the forms. This must be done before the bid date and time. The Township accepts no responsibility for duplicate forms that were not received by the bidder in time for the bidder to submit with his bid.

**\*Forms provided by The Township of Piscataway that must be returned with bid are referenced in the proceeding checklist.**

**21. DOCUMENT SIGNATURES – ORIGINAL; BLUE INK**

All documents returned to the Township shall be signed in ink (blue) with an original signature. Failure to sign and return all required documents with the bid package may be cause for disqualification and for the bid to be rejected pursuant to N.J.S.A 40A:11-1 et seq., (non-responsive). The Township will not accept facsimile or rubber stamp signatures.

**Checklist of Required Documents (Forms Provided in Bid Package)**

• Acknowledgement of Addenda
• Americans with Disabilities Act Bidders affidavit
• Bid Proposal Form
• Bidder Comments Form— optional Bid Bond Form- Piscataway Township Bid Bond Form
• Bid Cover Page Certification of last page
• Contractor Questionnaire/Certification
• Contractor’s Registration Certification Cover Sheet with Contractors Information
• Equipment Certification Exhibit “B” Hold Harmless Agreement Insurance Requirements Pay to Play Form
• Iran Disclosure of Investment Activities
• Non-Collusion Affidavit Plan & Experience
• Prequalification Affidavit
• Prevailing Wages Certification
• Statement of Ownership Disclosure
• Subcontractor’s Disclosure Statement
• Sworn Contractor Certification; Qualifications and Credentials

*Please check your bid package for these forms!*

**Reminder –**

**(1) Original Bid and (1) Photo Copy of Original marked “True Copy”.**

Bid packages are to be submitted in duplicate on the proposed forms as provided and the manner designated. The Township of Piscataway will accept one original bid package, one true copy of the original bid package.

**22. EQUIPMENT CERTIFICATION (N.J.S.A. 40A:11-1 et seq.,)**

Each bidder shall provide a certification showing that he owns, leases or controls all the necessary equipment required by the specifications. If the bidder is not the actual owner or lessee of any such equipment, he shall submit a certificate stating the source from which the equipment will be obtained and shall obtain a certificate from the owner and person in control of the equipment, definitely granting to the bidder the control of the equipment required during such time as may be necessary for the completion of that portion of the contract for which it is necessary.

The certificates are to be submitted with the bid. If the contract involves the installation of a manufactured system which requires the contractor to have special knowledge or training, or to be specifically certified by the manufacturer to install their system, this form is used to submit such required evidence of the bidder’s approval from the manufacturer.

**23. EXAMINATION OF SPECIFICATIONS, ACKNOWLEDGEMENT**

The bidder, by submitting a proposal, acknowledges that he has carefully examined the bid specifications, documents, addenda (if any), and the site; and that from his investigation, he has satisfied himself as to the nature and location of the work, the general and local conditions and all matters which may in any way affect the work or its performance, and that as a result of such examination, he fully understands the intent and purpose thereof, his obligations thereunder, and that he will not make any claim for, or have any right to damages, because of the lack of any information.

Each bidder submitting a bid for a service contract shall include in his bid price all labor, materials, equipment, services, and other requirements necessary, or incidental to, the completion of the work, and other pertinent work as hereinafter described, in accordance with the bid specifications and documents.

**TERM/COMPLETION OF THE PROJECT: AS PER SPECIFICATION/PROPOSAL PAGES**

## **24. FALSE MATERIAL REPRESENTATION/TRUTH IN CONTRACTING**

A person commits a crime if the person knowingly makes a material representation that is false in connection with the negotiation, award or performance of a government contract. If the contract amount is for \$25,000.00 or above, the offender is guilty of a crime of the second degree. If the contract amount exceeds \$2,500.00, but is less than \$25,000.00, the offender is guilty of a crime of the third degree. If the contract amount is for \$2,500.00 or less, the offender is guilty of a crime of the fourth degree.

Bidder should be aware of the following statutes that represent “Truth in Contracting” laws:

- N.J.S.A. 2C:21-34, et seq. governs false claims and representations by bidders. It is a serious crime for the bidder to knowingly submit a false claim and/or knowingly make material misrepresentation.
- N.J.S.A. 2C:27-10 provides that a person commits a crime if said person offers a benefit to a public servant for an official act performed or to be performed by a public servant, which is a violation of official duty.
- N.J.S.A. 2C:27-11 provides that a bidder commits a crime if said person, directly or indirectly, confers or agrees to confer any benefit not allowed by law to a public servant.
- Bidder should consult the statutes or legal counsel for further information.

## **25. FORCE MAJEURE**

Neither party shall be liable in damages for any failure, hindrance or delay in the performance of any obligation under this Agreement if such delay, hindrance or failure to perform is caused by conditions beyond the control of either party, including, but not limited to, Acts of God, flood, fire, war or the public enemy, explosion, government regulations whether or not valid (including the denial or cancellation of any export or other necessary license), court order, state funding, or other unavoidable causes beyond the reasonable control of the party whose performance is affected which cannot be overcome by due diligence.

Vendors, and/or contractors who have a contract with The Township of Piscataway to provide goods or services cannot unilaterally claim an increase in the cost of the contract because of Force Majeure.

**26. INSURANCE AND INDEMNIFICATION**

The bidder to whom the contract is awarded for any service work or construction work shall secure, pay the premiums for and keep in force until the contract expires, insurance of the types and amounts listed as listed:

General Liability	\$2,000,000. General Aggregate
	\$1,000,000. Products
	\$1,000,000. Bodily Injury Property Damage & Personal Injury Combined
	\$1,000,000. Each Occurrence
	\$ 100,000 Pollution Cleanup
	\$ 50,000. Fire Damage
	\$ 5,000. Medical Expense
Excess Umbrella Liability	\$4,000,000
	\$1,000,000 Sexual Harassment
Comprehensive Automobile Liability Coverage	\$1,000,000 Combined Single Limit Bodily Injury/Property Damage

**(A) Insurance Certificate – When Required**

- The contractor shall present to The Township of Piscataway an insurance certificate in the above types and limits before any work or service begins.
- Automobile liability insurance coverage shall be included for any vehicle used by the contractor.
- The certificate holder shall be as follows:

The Township of Piscataway  
c/o Office of the Purchasing Agent  
455 Hoes Lane  
Piscataway, New Jersey 08854

Additional Insured Clause-- The contractor must include the following clause on the insurance certificate.

**“The Township of Piscataway is named as an additional insured”**

**OTHER INSURANCES**

**WORKERS COMPENSATION** Evidence of adequate Workers Compensation Insurance as required by the laws of the State of New Jersey and the United States, must be available for perusal. The minimum limits are the following, unless a greater amount is required by law:

Bodily Injury by Accident	\$1,000,000. Each Accident
Bodily Injury by Disease	\$1,000,000. Policy Limit
Bodily Injury by Disease	\$1,000,000. Each Employee
Contract Liability	Same as General Liability

**(B) Indemnification**

The contractor shall assume all risk of and responsibility for, and agrees to indemnify, defend, and save harmless the Township and its agents, employees and Township members, from and against any and all claims, demands, suits, actions, recoveries, judgments and costs and expenses (including, but not limited to, attorney's fees) in connection therewith on account of the loss of life or property or injury or damage to any person, body or property of any person or persons whatsoever, which shall arise from or result directly or indirectly from the work and/or materials supplied under this contract or the performance of services by the contractor under the agreement or by a party for the whole contract is liable. This indemnification obligation is not limited by, but is in addition to, the insurance obligations contained in this agreement.

The Contractor is to assume all liability of every sort incident to the work, including property damage caused by him or his men or by any subcontractor employed by him or any of the subcontractor's men.

**(C) Builders Risk      Applicable    X Not Applicable**

The contractor shall obtain and pay for within their bid, a Builder's Risk Policy providing coverage for all risk of physical loss or damage to the property in an amount equal to the total project value, less excavations and foundations.

The policy must be maintained for the duration of the project from the beginning of construction until:

- (i) written acceptance by **Joseph Herrera, CFM/ Grotto Engineering** or substantial completion, and
- (ii) a temporary certificate of occupancy or certificate of occupancy has been issued.

A copy of the policy must be delivered to The Township of Piscataway before construction begins. All of the contractor's policies, with the exception of workers' compensation, shall be endorsed naming the Township, its elected and appointed officials, and employees as additional insureds.

**27. INTERPRETATIONS AND ADDENDA (N.J.S.A. 40A:11-1 et seq.,)**

No interpretation of the meaning of the specifications will be made to any bidder orally. Every request for such interpretations should be made in writing to the Purchasing Agent or the **Joseph Herrera, CFM/Grotto Engineering** of Record and must be received by same at least ten (10) business days, not including Saturdays, Sundays and holidays, prior to the date fixed for the opening of bids to be given consideration. Any and all interpretations and any supplemental instructions will be distributed in the form of written addenda to the specifications. The addenda will be provided by The Township of Piscataway in accordance with N.J.S.A 40A:11-1 et seq., to the bidder by certified mail, certified fax or delivery service, no later than seven (7) days, not including Saturdays, Sundays, or holidays prior to the date for acceptance of the bids. All addenda so issued shall become part of the contract document.

ADDENDA. It shall be understood that any addendum issued from time to time to provide additional information to the bidders shall become an integral part of this bid package. Receipt of Addendum shall be acknowledged by the bidders in the space provided therefore on the "Bid Proposal Form. Log onto Township bid website at [www.piscatawaynj.org](http://www.piscatawaynj.org) for any addendums.

## **28. IRAN DISCLOSURE OF INVESTMENT ACITIVITIES- (N.J.S.A. 40A:11-1 et seq., )**

The Township of Piscataway, pursuant to N.J.S.A. 40A:11-1 et seq., shall implement and comply with Public Law 2012, c.25, Disclosure of Investment Activities in Iran—N.J.S.A. 52:32-55 et seq.,

Pursuant to Public Law 2012, c. 25, any person or entity that submits a bid or proposal or otherwise proposes to enter into or renew a contract, must complete a certification attesting, under penalty of perjury, that neither the person or entity, nor any of its parents, subsidiaries, or affiliates, is identified on the Department of Treasury's Chapter 25 list as a person or entity engaging in investment activities in Iran.

The Chapter 25 list is found on the Divisions website

<http://www.state.nj.us/treasury/purchase/pdf/Chapter25List.pdf>.

If the Township determines that a person or entity has submitted a false certification concerning its engagement in investment activities in Iran under section 4 of P.L.2012, c.25 (C.52:32-58), the Township shall report to the New Jersey Attorney General the name of that person or entity, and the Attorney General shall determine whether to bring a civil action against the person to collect the penalty prescribed in paragraph (1) of subsection a. of section 5 of P.L.2012, c.25 (C.52:32-59).

In addition, bidders must provide a detailed, accurate and precise description of the activities of the bidding person/entity, or one of its parents, subsidiaries or affiliates, engaging in the investment activities in Iran outlined above by completing the boxes on the lower portion of the enclosed form.

The Township has provided within the specifications, a Disclosure of Investments Activities certification form for all persons or entities, that plan to submit a bid, respond to a proposal, or renew a contract with the Township, to complete, sign and submit with the proposal.

### **JANUARY 29, 2021 UPDATE IRAN INVESTMENTS DISCLOSURE DOCUMENT FOR BIDS DOCUMENTS**

Subject: Iran Investment Disclosure Now Pre-Award

Effective January 29, 2021, P.L. 2021, c. 4 amends the law requiring vendor and contractor disclosure of investment activities in Iran. The law allows the Iran investment disclosure form to be submitted prior to contract award and at the time the contract is renewed rather than with the bid or RFP submission. Although the law refers to State contracts, it also applies to contracting units subject to the Local Public, Public School, and County College Contracts Laws because N.J.S.A. 40A:11-2.1; 18A:18A-49.4; and 18A:64A-25.43, respectively, require these contracting units to follow the Iran disclosure procedure for State contracts. Contracting units are encouraged to review the new law with legal counsel and revise their procurement forms as necessary.

**Failure to complete, sign, certify and submit the Disclosure of Investment Activities in Iran form with the bid/proposal shall be cause for rejection of the proposal.**

## **29. LIABILITY – COPYRIGHT**

The contractor (vendor) shall hold and save the Township, its officials and employees, harmless from liability of any nature or kind for or on account of the use of any copyrighted or un-copyrighted composition, secret process, patented or unpatented invention, article or appliance furnished or used in the performance of his contract.

### 30. LIQUIDATED DAMAGES

The contractor agrees to substantially complete this construction project to the complete satisfaction of The Township of Piscataway by the stated contract completion date or within the number of working days so specified in the contract.

Failure to complete the project within the specified time frame or contract completion date shall lead to The Township of Piscataway assessing liquidated damages against the contractor in accordance with and pursuant to N.J.S.A. 40A:11-1 et seq.,

For each calendar day thereafter that the work included under this contract remains uncompleted in accordance with the provision of the contract or not completed to the satisfaction of the Township, the Township shall assess liquidated damages as follows:

<u>Amount of Contract</u> <u>Range of Amount</u>	<u>Liquidated Damages</u>
\$ 20,000 and less than \$ 50,000	\$ 200.00 per calendar day
50,001 and less than \$ 100,000	300.00 per calendar day
100,001 and less than \$ 250,000	500.00 per calendar day
251,001 and less than \$ 500,000	1,000.00 per calendar day
500,000 and less than \$1,000,000	2,000.00 per calendar day
1,000,000 and over	2,500.00 per calendar day

The Township may assess liquidated damages by deducting the amount from monies which may due or become due to the contract.

The Township may also assess the contractor additional damages for costs the Township may incur because each day the project remains uncompleted. These costs include but are not limited to:

- Construction management fees
- Architect/engineer fees
- administrative costs
- Any inspector or inspectors necessarily employed by The Township of Piscataway on the work, for any number of days in excess of the number allowed in the specifications

The Township of Piscataway may also assess against all monies owed to the contractor, liquidated damages for the violation of any terms and conditions of the contract or agreement by the contractor or the failure to perform said contract or agreement in accordance with its terms and conditions or the terms or conditions of the "Local Public Contracts Law," in accordance with and pursuant to N.J.S.A. 40A:11-1 et seq.,

31. **MAINTENANCE BONDS**       **Required**       Not Required

When required by the Township, the contractor shall furnish a Maintenance Bond for the total sum of the contract price, indemnifying The Township of Piscataway against defects in construction for a period of two **(2) years** after the completion of the work, general wear and tear excepted.

The condition of this obligation is such that if the successful contractor shall indemnify and hold harmless The Township of Piscataway from and against all losses, costs, damages and expenses, whatsoever, which the Township may suffer or compelled to pay by reason of the failure of the successful contractor to indemnify the Township against defects in construction for a period of two **(2) years** after the completion of the work.

32. **NON-COLLUSION AFFIDAVIT** (N.J.S.A. 52:34-15)

A notarized Non-Collusion Affidavit shall be submitted with the bid/proposal. The bidder/respondent has to certify that he has not directly or indirectly, entered into any agreement, participated in any collusion, discussed any or all parts of this proposal with any potential bidders, or otherwise taken any action in restraint of free, competitive bidding in connection with the above named bid, and that all statements contained in said Proposal and in this affidavit are true and correct, and made with full knowledge that The Township of Piscataway relies upon the truth of the statements contained in said Proposal and in the statements contained in this affidavit in awarding the contract for the said bid.

The respondent has to further warrant that no person or selling agency has been employed or retained to solicit or secure such contract upon an agreement or understanding for a commission, percentage, brokerage or contingent fee, except bona fide employees of bona fide established commercial or selling agencies maintained by the respondent.

The Township of Piscataway has provided a Non-Collusion Affidavit form here within the specifications package. All respondents are to complete, sign, have the signature notarized and submit the form with the proposal response.

**Failure to submit the Non-Collusion Affidavit with the proposal may be cause for the disqualification of the proposal.**



### **33. NOTICE (AUTHORIZATION) TO PROCEED**

The contractor shall not perform any work, or provide any services, materials, supplies until a Notice (Authorization) to Proceed is received from the Office of the Purchasing Agent/Project Manager.

The Township of Piscataway only recognizes the receipt by the contractor of an approved signed purchase order as a Notice to Proceed. No word of mouth, phone, fax, e-mail, letter or other form of communication to proceed is a valid Notice to Proceed.

It is the intention of the Township to officially notify the Contractor, to whom the contract was awarded, through a Notice to Proceed letter issued by the Purchasing Agent. A purchase order will accompany the Notice to Proceed letter. The contractor shall submit certain documents to the Township as so requested in the Notice to Proceed letter.

### **Pre-Construction and Construction Conferences**

Before construction is started, preconstruction conferences shall be held. During the first conference The Township of Piscataway Project Manager, his Engineer, Administrator, Purchasing Agent and the Contractor will discuss the procedures to be followed by the Contractor during the construction process. The Contractor will also be required to attend a preconstruction conference attended by all utility companies and State and local authorities. During the construction, job meetings shall be held at frequent intervals to review construction and restoration progress and to resolve difficulties which might delay completion of the work. Attendees at these meetings shall include representatives of the Township of Piscataway Project Manager, the Engineer, Administrator and Purchasing Agent and the Contractor. A Notice to Proceed must be sent to the awarded Contractor by the Project Manager. A Copy of the Notice to Proceed must be submitted to the Purchasing Agent.

**34. PAYMENTS**

Every effort will be made to pay vendors and contractors within thirty (30) to sixty (60) days provided The Township of Piscataway receives the appropriate documentation including but not limited to:

- Signed voucher by vendor
- Packing slips
- Invoices

Payment will be rendered upon completion of services or delivery of full order to the satisfaction of the Township, unless otherwise agreed to by written contract or mandated by State Law\*. The Township may, at its discretion make partial payments.

All payments are subject to approval by The Township of Piscataway at a public meeting. Payment may be delayed from time to time depending on The Township of Piscataway meeting schedule.

**35. PAYMENT, PARTIAL, WITHHOLDING**

**A. Contract Thresholds; Partial Payments/Withholding**

1. Contracts – Less than \$100,000 – Lump Sum Payment

Public works contracts less than \$100,000 shall be paid in one lump total sum, upon completion of the project and to the satisfaction of the Township

Contracts – Exceeding \$100,000 – Monthly Payments

Public works contracts that exceed \$100,000 shall be paid with partial payments on a monthly basis for work that was completed to the satisfaction of the Township.

3. Withholding of Monies – Percentage to be Withheld

The Township of Piscataway shall withhold the following percentages of outstanding balances of monies owed to contractors:

Balances Exceeding \$500,000 -- Two (2%) Per Cent

Balances Less than \$500,000 -- Five (5%) Per Cent

The amounts withheld shall be returned to the contracts upon fulfillment of the terms of the contract.

**B. Prompt Payment**

The Township of Piscataway will provide payment in accordance with the “Prompt Payment” law as codified in N.J.S.A. 2A:30A-1 et seq. All payments to contractors are subject to approval by The Township of Piscataway at a public meeting.

The Township of Piscataway generally holds its Agenda, and its Regular Public Meetings twice or more each month. It is at these meetings that The Township of Piscataway reviews payment of bills.

All bills submitted to the Township for approval and payment pursuant to N.J.S.A. 2A:30A-1 et seq. must comply with the following provisions. The “billing date” shall be the date that the contractor signs the certification on the voucher/purchase order that the work has been performed. These bills include all bills for improvements to real property and contracts for engineers, architects, surveyors, design or skilled services relating to construction work.

Bills that are required to be approved by an engineering or architecture firm (prior to submission to the Township for approval) for purposes of confirmation of successful completion of construction work, shall be approved or disapproved within twenty (20) days of submission of same to the architect or engineer. If bills are disapproved or monies withheld from payment, the notice of the reason for same shall be given within the same twenty (20) days to the contract.

The Township must approve payment of all bills. For the Township to consider a bill for approval it must be submitted to the Purchasing Agent at least two weeks prior to a scheduled/or re-scheduled Township meeting date. If the Township, or any agent or officer of the Township, determines that the bill is not approved then notice of the disapproval shall be sent to the contractor with five (5) days of the Township meeting on which the bill was listed for approval. If the bill is approved by the Township, then payment shall be made to the contractor with seven (7) days of the Township meeting as per the “payment cycle.”

**Release of Liens**

Neither the final payment nor any part of the retained percentage shall become due until the Contractor delivers to The Township of Piscataway a complete Release of all Liens arising out of this Contract and an affidavit that so far as he has knowledge or information, the releases include all labor and material for which a lien could be filed, but the Contractor may, if any subcontractor refuses to furnish a release in full, furnish a bond satisfactory to the Township, to indemnify him against any liens. If any lien remains unsatisfied after all payments are made, the Contractor shall refund to The Township of Piscataway all monies that the latter may be compelled to pay in discharging such a lien, including all costs and reasonable attorney's fees

### **36. PRE-BID MEETING; ATTENDANCE STRONGLY ENCOURAGED!**

The pre-bid meeting is an important part of the bidding process. It permits all bidders to have an equal understanding of the procurement/contracting requirements and of the scope of work involved. Although pre-bid meetings are not mandatory, all potential bidders are strongly encouraged to attend. **Please review the General Specifications for a pre-bid meeting announcement.** Any or all changes to the bid specifications discussed as a result of the pre-bid meeting will be formalized in the form of a written addenda to the specifications and distributed in accordance with N.J.S.A. 40A:11-1 et seq.,

It is anticipated that the pre-bid meeting (if any) scheduled for this project will have an agenda format such as:

- A. Registration Period  
At this time all attendees will be asked to register to attend this meeting. Proper photo identification is required. Plans and specifications may be available for purchase from the Architect/Engineer of Record. Attendance will be recorded.
- B. Review of Procurement/Contracting Requirements—Purchasing Agent  
The Purchasing Agent will review the major components of the procurement and contracting requirements of the bid.
- C. Scope of Work and Scheduled Completion Time—**Joseph Herrera, CFM/Grotto Engineering.** **Joseph Herrera, CFM/Grotto Engineering** of Record, in conjunction with the Division of Engineering and the Purchasing Agent will review the scope of the work that is requested and completion time requirements ( **As per Specifications Number of Working Days**). A review of the plans and any drawings may take place.
- D. Walkthrough of Facility/Site  
**Joseph Herrera, CFM/Grotto Engineering**, in conjunction with the Division of Engineering and/or the Purchasing Agent, may conduct a facility site walkthrough with all interested parties.
- E. Questions; Clarifications—Official Addenda Process (**APRIL 12 2022 @12noon\_** on the Bid)  
Potential bidders are permitted to ask questions during the process. Questions of substantial measure or questions that require clarification of work to be completed may be answered at the meeting, however, **Joseph Herrera, CFM/Grotto Engineering** shall answer all such questions in writing in the form of an official addenda. To: [purchasing@piscatawaynj.org](mailto:purchasing@piscatawaynj.org)

Any and all answers to questions, interpretations or any supplemental instructions will be distributed in the form of a written official addenda to the specifications. The official addenda will be provided by the Purchasing Agent's Office of the Township in accordance with N.J.S.A. 40A:11-1 et seq., to the bidder by E-mail to: [purchasing@pisatawaynj.org](mailto:purchasing@pisatawaynj.org) , no later than seven (7) days, not including Saturdays, Sundays, or holidays prior to the date for acceptance of the bids. All addenda so issued shall become part of the bid and contract document.

### **37. PRE-QUALIFICATION OF BIDDERS**

All bidders shall furnish satisfactory evidence that he and his subcontractors have sufficient means and experience in the type of work to complete the project in accordance with the bid specifications. A subcontractor listing and bidder's personnel and experience sheet shall be submitted to the Township as part of the bidding documents. Where the bidder intends to subcontract any portion of the project, the cost of which will exceed \$20,000.00, the subcontractor shall be pre-qualified to perform the work and the bidder shall submit the requisite documentation pertaining to the sub-contractor in accordance with Paragraphs A and B above. The Township may make such additional investigations as it deems necessary to determine the ability, competence and financial responsibility of the bidder to perform the work. The bidder shall furnish the Township with the information and data for this purpose upon request. The Township reserves the right to reject any bid if the information fails to establish to the Township's satisfaction that the bidder is properly qualified to carry out the obligations of the contract and to complete the work contemplated here.

### **38. PREVAILING WAGES: CONSTRUCTION, ALTERATIONS, REPAIRS**

The State of New Jersey Prevailing Wage Act, Chapter 150 Laws of 1963 with applicable statewide wage Department of Labor and Workforce Development in conformance with N.J.S.A. 34:11-56.25 et seq., may be included in these bid contract documents. Copies of these wage rates may be obtained from the State Department of Labor and Workforce Development, and/or viewed at <http://lwd.dol.state.nj.us/> the Prevailing Wages Determination Section.

#### **Compliance with New Jersey Prevailing Wage Act**

Every contractor and subcontractor performing services in connection with this project, shall pay all workers a wage rate not less than the published prevailing wage rates, for the locality the work is being performed, as designated by the New Jersey Department of Labor and Workforce Development.

#### **Certified Payrolls**

Every contractor agrees to submit to The Township of Piscataway a certified payroll for each payroll period within ten (10) days of the payment of wages. The contractor further agrees that no payments will be made to the Contractor by the Township, if certified payrolls are not received by the Township. It is the Contractor's responsibility to insure timely receipt by the district of certified payrolls.

#### **Submission of Affidavit**

Before final payment, the contractor shall furnish The Township of Piscataway with an affidavit stating that all workers have been paid the prevailing rate of wages in accordance with State of New Jersey requirements. The contractor shall keep an accurate record showing the name, craft, or trade and actual hourly rate of wages paid to each workman employed by him in connection with this work. Upon request, the Contractor(s) and each Subcontractor shall file written statements certifying to the amounts then due and owing to any and all workmen for wages due on account of the work. The statements shall be verified by the oaths of the Contractor or Subcontractor, as the case may be.

#### **Posting of Prevailing Wages**

The contractor and subcontractor shall post the prevailing wage rates for each craft and classification involved in the work, including the effective date of any changes thereof, in prominent and easily accessible places at the Site of the work and in such place or places as used to pay workmen their wages. N.J.S.A. 34:11-56.32.

## **PREVAILING WAGE ACT.**

Pursuant to N.J.S.A. 34:11-56.25 et seq., the Contractors on projects for public work shall adhere to all requirements of the New Jersey Prevailing Wage Act. The contractor shall be required to submit a certified payroll record to the Township within ten (10) days of the payment of the wages. In the event it is found that any worker, employed by the Contractor or any subcontractor has been paid a rate of wages less than the prevailing wage required to be paid, the Township may terminate the Contractor's or subcontractor's right to proceed with the work, or such part of the work as to which there has been a failure to pay required wages and the contractor and subcontractor then be required to continue the work to completion or otherwise.

The Contractor is also responsible for obtaining and submitting all subcontractors' certified payroll records within the aforementioned time period. The Contractor shall submit said certified payrolls in the form set forth in N.J.A.C. 12:60- 6.1(c). It is the Contractor's responsibility to obtain any additional copies of the certified payroll form to be submitted by contacting the New Jersey Department of Labor and Workforce Development, Division of Workplace Standards.

Additional information is available at [http://lwd.dol.state.nj.us/labor/wagehour/wagerate/pwr\\_construction.html](http://lwd.dol.state.nj.us/labor/wagehour/wagerate/pwr_construction.html)

### **Prevailing Wages Certification—Submission with Bid**

The bidder shall submit a Prevailing Wages Certification with its bid package.

### **Non-compliance Statement**

If it is found that any worker, employed by the contractor or any subcontractor covered by said contract, has been paid a rate of wages less than the prevailing wage required to be paid by such contract, the Township, may begin proceedings to terminate the contractor's or subcontractor's right to proceed with the work, or such part of the work as to which there has been a failure to pay required wages and to prosecute the work to completion or otherwise. The contractor and his sureties shall be liable for any excess costs occasioned thereby to the public body.

## **39. QUALIFICATION OF BIDDERS - Contractor Questionnaire Certification Form**

The Township of Piscataway may make such investigations as it seems necessary to determine the ability of the bidder to perform the terms of the contract. The bidder shall complete a Contractor Questionnaire Certification Form and return same with the bid and shall furnish all information to the Township as the Township may require to determine the contractor's ability to perform the duties and obligations as outlined in these specifications.

All bidders are reminded that bids may be rejected as not being responsive pursuant to N.J.S.A. 40:11-1 et seq., and therefore bidders are asked to complete the Questionnaire and to provide any supporting documentation with the bid package.

## **40. RESIDENT CITIZENS; PREFERRED IN EMPLOYMENT ON PUBLIC WORKS CONTRACTS**

All bidders are to familiarize themselves with N.J.S.A. 34:9-2, which requires the contractor of any public work project to give preference in employment on the project, to citizens of the state of New Jersey. If the terms and conditions of N.J.S.A. 34:9-2 are not complied with, the contract shall be voidable. The Township is obligated to file with the Commissioner of Labor, the names and addresses of all contractors holding contracts with this project.

#### **41. RENEWAL OF CONTRACT; AVAILABILITY AND APPROPRIATION OF FUNDS**

The Township of Piscataway may, at its discretion, request that a contract that is subject to renewal, be renewed in full accordance with N.J.S.A. 40:11-1 et seq., The Purchasing Agent may negotiate terms for a renewal of contract proposal and present such negotiated proposal to the Township. The Township of Piscataway is the final authority in awarding renewals of contracts. All multi-year contracts and renewals are subject to the availability and appropriation annually of sufficient funds as may be needed to meet the extended obligation.

#### **42. RIGHT TO KNOW LAW**

All potentially hazardous materials or substances must be properly labeled in full accordance with the New Jersey Right to Know Law - N.J.S.A. 34:5A-1 et seq. All contractors or vendors who need additional information about the New Jersey Right to Know Law are to contact the:

New Jersey Department of Health and Senior Services  
Right to Know Program  
CN 368  
Trenton, New Jersey 08625-0368  
[www.nj.gov/health/workplacehealthandsafety/right-to-know/](http://www.nj.gov/health/workplacehealthandsafety/right-to-know/)

#### **NEW JERSEY WORKER AND COMMUNITY RIGHT TO KNOW ACT**

The manufacturer or supplier of chemical substances or mixtures shall label them in accordance with the N.J. Worker and Community Right to Know Law (N.J.S.A. 34:5A-1 et seq., and N.J.A.C 8:59-2 et seq.). All direct use containers shall bear a label indicating the chemical name(s) and Chemical Abstracts Service number(s) of all hazardous substances in the container, and all other substances which are among the five most predominant substances in the container, or their trade secret registry number(s) pursuant to N.J.A.C. 8:59-5. "Container" means a receptacle used to hold a liquid, solid or gaseous substance such as bottles, bags, barrels, cans, cylinders, drums and cartons. (N.J.A.C. 8:59-1.3). Further, all applicable Material Safety Data Sheets (MSDS) - hazardous substance fact sheet - must be furnished. All containers which are stored at owner facilities by subcontractors shall display RTK labeling. Vendors with questions concerning labeling should contact the New Jersey Department of Health and Senior Services Right to Know Program for assistance in developing proper labels.



**43. STATEMENT OF OWNERSHIP** (N.J.S.A. 52:25-24.2)

**Statement of Ownership**

No business organization, regardless of form of ownership, shall be awarded any contract for the performance of any work or the furnishing of any goods and services, unless, prior to the receipt of the bid or accompanying the bid of said business organization, bidders shall submit a statement setting forth the names and addresses of all persons and entities that own ten percent or more of its stock or interest of any type at all levels of ownership.

The included Statement of Ownership shall be completed and attached to the bid proposal. This requirement applies to all forms of business organizations, including, but not limited to, corporations and partnerships, publicly-owned corporations, limited partnerships, limited liability corporations, limited liability partnerships, sole proprietorship, and Subchapter S corporations. **Failure to submit a disclosure document shall result in rejection of the bid as it cannot be remedied after bids have been opened.**

Not-for-profit entities should fill in their name, check the not-for-profit box, and certify the form. No other information is required.

**44. SUBCONTRACTING: Subcontractor Disclosure Statement**

Pursuant to N.J.S.A. 40A:11-1 et seq., any bidder who bids for the overall contract and who will subcontract the following work:

- Plumbing and gas fitting work;
- Refrigeration, heating and ventilating systems and equipment;
- Electrical work, tele-data, fire alarm or security systems; and
- Structural steel and ornamental iron work;

Documents to be Submitted: All Subcontractors

The prime contractor (bidders) who will be using a subcontractor on any part of this bid, shall identify the subcontractor(s) on the appropriate form and submit with the bid package the following subcontractor documents at the time indicated in the box below:

<b><u>SUBCONTRACTOR DOCUMENT SUBMISSIONS</u></b>		
Estimated Value of Contract – Subcontractor	For Subcontractors in the four major branches listed above:  <i><u>Submit with Bid</u></i>	For all other Subcontractors:  <i><u>Submit Within ten (10 Days of Receipt of Notice of Award</u></i>
\$2,000 through \$5,999	Contractor’s Registration Certificate	
\$6,000 through \$17,499	Contractor’s Registration Certificate New Jersey Business Registration Certificate	
\$17,500 through \$19,999	Contractor’s Registration Certificate New Jersey Business Registration Certificate	
\$20,000 or more	Contractor’s Registration Certificate New Jersey Business Registration Certificate	

Failure to identify in the Subcontractor’s Disclosure Statement the names and addresses of any or all subcontractors required to be named in the bid, or to submit with the bid the appropriate documents for each such subcontractor, may be cause for the bid to be rejected as being non-responsive.

Contractors are reminded that the subcontractors listed on the forms provided by the township may not be changed later, except in the case of failure in performance or other contract breach where a change is needed to protect the township.

**\*\*\*\*If Subcontractor is not applicable please write in N/A and SIGN PAGE.**

#### **45. SUBCONTRACTING: PROHIBITIONS: HOLD HARMLESS**

Prime contractors, with whom The Township of Piscataway have an executed contract, may not subcontract any part of any work done for the Township without first receiving written approval from the Township. Contractors seeking to use subcontractors must first complete the Request to Sub Contract Form as provided by the Building Services Department.

##### **Subcontractors Prohibited to Sub Contract**

It is the responsibility of the prime contractor to ensure that no subcontractor who has received written permission to do work for The Township, subcontracts any of its/their work without first receiving written approval from the prime contractor **and** the Division of Engineering or his designee.

The prime contractor assumes all responsibility for work performed by subcontractors. The prime contractor must also provide to the Township Purchasing Office the following documents secured from all approved subcontractors:

- Insurance Certificate as outlined in the bid specifications;
- Affirmative Action Evidence as outlined in the bid specifications;
- Written certification that the subcontractor shall adhere to prevailing wages as provided through New Jersey State Law;
- Evidence of Performance Security;
- Documents listed in the Subcontractor Document Submissions list.

In cases of subcontracting, The Township of Piscataway shall only pay the prime contractor. It is the sole responsibility of the prime contractor to ensure that all subcontractors are paid. The Township of Piscataway shall not be responsible for payments to subcontractors and shall be held harmless against any or all claims generated against prime contractors for non-payment to subcontractors.

##### **Penalties – Unauthorized Subcontractors**

The Township of Piscataway shall deduct the amount of \$1,000.00 (one thousand dollars) per day as a penalty, for each day a prime contractor uses a subcontractor without first receiving **written** permission from the Building Services Department.

#### **46. TAXES; Contractor's Use of Township's Tax Identification Number—Prohibited**

As a New Jersey governmental entity, The Township of Piscataway is exempt from the requirements under New Jersey state sales and use tax (N.J.S.A. 54:32B-1 et seq.), and does not pay any sales or use taxes. Bidders should note that they are expected to comply with the provisions of said statute and the rules and regulations promulgated thereto to qualify them for examinations and reference to any and all labor, services, materials and supplies furnished to the Township. Contractors may not use the Township's tax identification number to purchase supplies, materials, service or equipment, for this project.

A contractor may qualify for a New Jersey Sales Tax Exemption on the purchase of materials, supplies and services when these purchases are used exclusively to fulfill the terms and conditions of the contract with the Township. All contractors are referred to New Jersey Division of Taxation—Tax Bulletin S&U-3 and in particular, Contractor's Exempt Purchase Certificate (Form ST-13). Again, contractors are not permitted to use the Township's tax identification number to purchase supplies, materials, services of equipment.

**Sample-Attached in the bid for the Contractor- ST-13 FORM.**

#### **ST-13 FORM WILL BE ATTACHED TO THE CONTRACT ONCE AWARDED.**

##### **New Jersey State Sales and Use Tax Exemption**

Materials and equipment purchases for permanent installation in the project will be exempt from the New Jersey State Sales and Use Tax. Each Bidder shall take this exemption into account in calculating his bid. It shall be the Contractor's responsibility to file the necessary exemption applications.

**W-9- Required**-Sample in the bid. W-9 May be submitted with the bid for faster process. Successful bidder/respondent shall complete W-9 Form and submit to Purchasing prior to contract award. Than form is available at the following link: [www.irs.gov/pub/irs-pdf/fw9.pdf](http://www.irs.gov/pub/irs-pdf/fw9.pdf)

#### **47. Play to Play-NOTICE OF DISCLOSURE REQUIREMENT**

Business entities are advised of their responsibility to file an annual disclosure statement of political contributions with the New Jersey Election Law Enforcement Commission (ELEC) pursuant to N.J.S.A. 19:44A-20.27 if they receive contracts in excess of \$50,000 from public entities in a calendar year. Business entities are responsible for determining if filing is necessary. Additional information on this requirement is available from ELEC at 888-313-3532 or at [www.elect.state.nj.us](http://www.elect.state.nj.us).

#### **48. TERMINATION OF CONTRACT**

If the Township determines that the contractor has failed to comply with the terms and conditions of the bid and/or proposal upon which the issuance of the contract is based or that the contractor has failed to perform said service, duties and or responsibilities in a timely, proper, professional and/or efficient manner, then the Township shall have the authority to terminate the contract upon written notice setting forth the reason for termination and effective date of termination.

Termination by the Township of the contract does not absolve the contractor from potential liability for damages caused the District by the contractor's breach of this agreement. The Township may withhold payment due the contractor and apply same towards damages once established. The Township will act diligently in accordance with governing statutes to mitigate damages. Damages may include the additional cost of procuring said services or goods from other sources.

The contractor further agrees to indemnify and hold the District harmless from any liability to subcontractors or suppliers concerning work performed or goods provided arising out of the lawful termination of this agreement.

**TERM/COMPLETION OF THE PROJECT:** As per specifications/Proposal pages.

#### **49. WITHDRAWAL OF BIDS**

##### **Before the Bid Opening**

The Purchasing Agent may consider a written request from a bidder to withdraw a bid if the written request is received by the Purchasing Agent before the advertised time of the bid opening. Any bidder who has been granted permission by the Purchasing Agent to have his/her bid withdrawn cannot re-submit a bid for the same advertised bid project. That bidder shall also be disqualified from future bidding on the same project if the project is re-bid.

##### **After the Bid Opening**

The Township of Piscataway may consider a written request from a bidder to withdraw a bid, if the written request is received by the Purchasing Agent within five (5) business days after the bid opening. A request to withdraw a bid after the specified number of days will not be honored.

The contractor/vendor who wishes to withdraw a bid must provide a certification supported by written factual evidence that an error or omission was made by the contractor and that the error or omission was a substantial computational error or an unintentional omission or both.

The request to withdraw a bid after the bid opening may be reviewed by the Purchasing Agent, the Division of Engineering, other interested administrators; and Joseph Herrera, CFM of Record for the project (if necessary) and/or the Township Attorney and a recommendation will be made to the Township. If the Township of Piscataway grants permission to have the bid withdrawn the contractor/vendor shall be disqualified from bidding on the same project if the project is re-bid. If the contractor/vendor fails to meet the burden of proof to have the bid withdrawn the request to withdraw the bid will be denied and if the contractor/vendor fails to execute the contract the bid guarantee will be forfeited and become property of the Township.

**50. WORK HOURS / INSPECTION**

The contractor shall work only during the normal work hours of the Township unless authorized by the Township Engineer/ DPW to do otherwise. Overtime shall be considered those hours before 8:30 A.M and after 4:30 P.M. Monday thru Friday. In addition, Saturday, Sunday and all Township holidays will be considered overtime. The Contractor will be responsible to pay all overtime worked by the Township Inspector or Representative. There shall be an inspector on the job site at all times when the contractor is working.

**. NJ ONE CALL**

By presenting a bid, contractor declares that he is aware of and, if required, will comply with the requirements of the "Underground Facility Protection Act (Public Law 1994, Chapter 118)" prior to commencing any intended excavation. The telephone number to call is 1-800-272-1000.

## Supplemental Specifications

### ETHEL ROAD ROADWAY IMPROVEMENTS

#### AWARD OF CONTRACT

The Township of Piscataway intends to award the contract for the project as follows:

---

---

#### EXPERIENCE

The Township of Piscataway requires evidence from all bidders that they have completed work or projects of a similar nature as outlined in the bid package. Bidders are to provide evidence of satisfactory completion of work of similar nature as outlined in the bid from other governmental bodies \_\_\_\_\_ (\_\_\_\_\_) for at least (5 ) years. As per Specifications.

#### NUMBER OF WORKING DAYS; TIME OF COMPLETION

The contractor agrees to substantially complete this Construction Project to the satisfaction of The Township of Piscataway within (as per spec's) working days from the receipt of the official Notice to Proceed and purchase order. The Township has defined a working day as a calendar day. As per Specifications.

The number of working days set by the Township may be extended by mutual agreement between the contractor and the district. The mutual agreement shall be in writing and will be considered an addendum to the contract.

#### PRE-BID MEETING

A pre-bid meeting for this project is scheduled for ( Site Visit Not Mandatory)

N/A

Month / Day / Year

10:00 am

The Township of Piscataway

The purpose of this meeting is to review the legal and technical requirements of the bid proposal. While attendance is not mandatory, prospective bidders are strongly encouraged to attend this important meeting. Addenda to this bid proposal may be issued as a result of the pre-bid meeting.

**TRADE CLASSIFICATION(S) (Optional)**

**A. Bidder:**

For the purpose of this Construction Project bid, each bidder shall be classified by the State of New Jersey—Division of Property Management and Construction in the following trade(s):

Classification Code  
\_\_\_\_\_ (List Code #)

Classification Trade Name  
\_\_\_\_\_ (List name of trade)

Proof of classification shall be submitted with the bid package in the form of a current Notice of Classification as issued by the New Jersey Division of Property Management and Construction.

**B. Subcontractor:**

For the purpose of this Construction Project bid, each bidder shall use a subcontractor that is properly classified by the State of New Jersey—Division of Property Management and Construction in the following trade(s):

Classification Code  
\_\_\_\_\_ (List Code #)

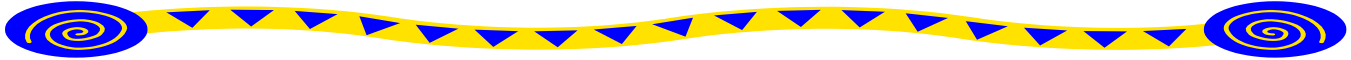
Classification Trade Name  
\_\_\_\_\_ (List name of trade)

Proof of classification, in the form of a current Notice of Classification form, for each Sub-Contractor, shall be submitted by the bidder with the bid package for any estimated subcontractor work exceeding \$20,000.00.



# THE TOWNSHIP OF PISCATAWAY

## ETHEL ROAD ROADWAY IMPROVEMENTS



# BID DOCUMENTS AND REQUIRED DOCUMENTATION

All documents in this section shall be completed, signed and submitted with the bid package – Failure to submit the bid documents and other documents so specified may be cause to reject the bid for being non-responsive.



**MARIA E.VALENTE-CAEMMERER**

---

Purchasing Agent/Township Secretary

***To be completed, signed and returned with Bid***

**ACKNOWLEDGEMENT OF ADDENDUM**

**ETHEL ROAD ROAWAY IMPROVEMENTS**

**Bid No. 2022-03-08**

**Bid Date: Thursday, April 21, 2022**

The bidder acknowledges receipt of the hereinafter enumerated Addenda which have been issued during period of bidding and agrees that said Addenda shall become a part of this contract. The bidder shall list below the numbers and issuing dates of the Addenda.

<u>ADDENDA NO.</u>	<u>ISSUING DATES</u>
_____	_____
_____	_____
_____	_____
_____	_____

**No Addenda Received**

Name of Company \_\_\_\_\_

Address \_\_\_\_\_ P.O. Box \_\_\_\_\_

City, State, Zip Code \_\_\_\_\_

Name of Authorized Representative \_\_\_\_\_

Signature \_\_\_\_\_ Date \_\_\_\_\_



**The Township of Piscataway  
CONTRACTOR QUESTIONNAIRE/CERTIFICATION**

**ETHEL ROAD ROADWAY IMPROVEMENTS**

**Bid No. 2022-03-08**

**Bid Date: Thursday, April 21, 2022**

Name of Company \_\_\_\_\_

Street Address \_\_\_\_\_ P.O. Box \_\_\_\_\_

City, State, Zip \_\_\_\_\_

Business Phone Number ( ) \_\_\_\_\_ Extension \_\_\_\_\_

Emergency Phone Number ( ) \_\_\_\_\_

FAX NO. ( ) \_\_\_\_\_ E-Mail \_\_\_\_\_

FEIN No. \_\_\_\_\_

**Questionnaire**

1. How many years have you been engaged in the contracting business under your present firm or trading name?  
\_\_\_\_\_ Years

2. Have you ever failed to complete any work awarded to your company?

Yes  No

If yes, explain \_\_\_\_\_

3. Have you ever defaulted on a contract?

Yes  No

If yes, explain \_\_\_\_\_

4. Have you or other principals of your company been debarred, suspended, proposed for debarment, declared ineligible, or voluntary excluded from participation in any public works projects by any federal, state, or local agencies, including any "**prior negative experience**" disqualification pursuant to N.J.S.A. 40A:11-1 et seq.,?

Yes  No

If yes, explain \_\_\_\_\_

**(Form continued on next page)**

**ETHEL ROAD ROADWAY IMPROVEMENTS**

**Bid No. 2022-03-08**

**Bid Date: Thursday, April 21, 2022**

\_\_\_\_\_  
Name of Company

**Experience – Educational Facilities:**

The Township of Piscataway requires evidence from all bidders that they have completed work or projects of a similar nature as outlined in the bid package. Bidders are to provide evidence of satisfactory completion of work of similar nature as outlined in the bid from \_\_\_\_\_ (\_\_\_\_) Townships in New Jersey within the past \_\_\_\_\_ ( 5 ) years. Bidders are to complete the section on experience and provide supporting documentation with the bid package. **As Per Specifications.**

A. Title of Work/Project: \_\_\_\_\_  
Name of Township: \_\_\_\_\_  
Name of Town Official: \_\_\_\_\_ Title \_\_\_\_\_  
Phone Number \_\_\_\_\_ E-Mail \_\_\_\_\_  
Date(s) of Project: \_\_\_\_\_

B. Title of Work/Project: \_\_\_\_\_  
Name of Township: \_\_\_\_\_  
Name of Town Official: \_\_\_\_\_ Title \_\_\_\_\_  
Phone Number \_\_\_\_\_ E-Mail \_\_\_\_\_  
Date(s) of Project: \_\_\_\_\_

C. Title of Work/Project: \_\_\_\_\_  
Name of Township: \_\_\_\_\_  
Name of Town Official: \_\_\_\_\_ Title \_\_\_\_\_  
Phone Number \_\_\_\_\_ E-Mail \_\_\_\_\_  
Date(s) of Project: \_\_\_\_\_

**References**

**Architects**--List names of architects that you have worked with on projects within the last five (5) years.

	<u>Firm</u>	<u>Principal</u>	<u>Phone Number</u>
1.	_____	_____	_____
2.	_____	_____	_____
3.	_____	_____	_____

***(Form continued on next page)***

**ETHEL ROAD ROADWAY IMPROVEMENTS**

**Bid No. 2022-03-08**

**Bid Date: Thursday, April 21, 2022**

\_\_\_\_\_  
Name of Company

**Bank**--List name of principal bank with which your company does business.

Bank

Officer

Phone Number

\_\_\_\_\_

**Trade**--List names of companies within your trade with which your company does business:

Firm

Principal

Phone Number

1. \_\_\_\_\_
2. \_\_\_\_\_
3. \_\_\_\_\_

***(Form continued on next page)***

**Contractor Questionnaire/Certification--page 4**

**ETHEL ROAD ROADWAY IMPROVEMENTS**

**Bid No. 2022-03-08**

**Bid Date: Thursday, April 21, 2022**

\_\_\_\_\_  
Name of Company

**Certifications**

• **Debarment**

I certify that the entity listed on the form or any person employed by this entity, are not presently on the following:

- New Jersey Department of Treasury – Consolidated Debarment Report
- NJ Department of Labor and Workforce Development– Prevailing Wage Debarment List
- Federal Debarred Vendor List—System for Award Management (SAM.gov)

• **Direct/Indirect Interests**

I declare and certify that no member of the Township of Piscataway, nor any officer or employee or person whose salary is payable in whole or in part by said the Township or their immediate family members are directly or indirectly interested in this bid or in the supplies, materials, equipment, work or services to which it relates, or in any portion of profits thereof. If a situation so exists where a Township member, employee, officer of the Township has an interest in the bid, etc., then please attach a letter of explanation to this document, duly signed by the president of the firm or company.

• **Gifts; Gratuities; Compensation**

I declare and certify that no person from my firm, business, corporation, association or partnership offered or paid any fee, commission or compensation, or offered any gift, gratuity or other thing of value to any Township official, Township member or employee of the Township.

• **Vendor Contributions**

I declare and certify that I fully understand N.J.A.C. 6A:23A-6.3 (a) (1-4) concerning vendor contributions to Township members.

• **False Material Representation/Truth in Contracting**

I further certify that I understand that it is a crime in the second degree in New Jersey to knowingly make a material representation that is false in connection with the negotiation, award or performance of a government contract. I further acknowledge my understanding of the New Jersey Truth in Contracting Laws.

\_\_\_\_\_  
President or Authorized Agent

\_\_\_\_\_  
**Signature**

**CONTRACTOR REGISTRATION CERTIFICATION**

Division of Engineering

**ETHEL ROAD ROADWAY IMPROVEMENTS**

**Bid No. 2022-03-08**

**Bid Date: Thursday, April 21, 2022**

It is the determination of The Township of Piscataway that this is a public works project which contract amount in total will exceed \$2,000.00 (two thousand dollars), therefore, pursuant to the Construction Project Contractor Registration Act -- N.J.S.A. 34:11-56.48 et seq., contractors are to be aware of the following:

No contractor shall bid on any contract for Construction project as defined in section 2 of P.L.1963, c. 150 (C.34:11-56.26) unless the contractor is registered pursuant to this act. No contractor shall list a subcontractor in a bid proposal for the contract unless the subcontractor is registered pursuant to P.L.1999, c.238 (C.34:11-56.48 et seq.) at the time the bid is made. No contractor or subcontractor, including a subcontractor not listed in the bid proposal, shall engage in the performance of any public work subject to the contract, unless the contractor or subcontractor is registered pursuant to that act.

I certify that our company understands that the project of The Township of Piscataway requires that all Contractors and Subcontractors listed in this proposal possess a valid Contractor Registration Certificate at the time the proposal is received by the Township and furthermore certify that I will provide copies of the valid certificates prior to the award of contract.

Name of Company\_\_\_\_\_

Authorized Agent\_\_\_\_\_ Title\_\_\_\_\_

**Authorized Signature**\_\_\_\_\_



**EQUIPMENT CERTIFICATION**

**ETHEL ROAD ROADWAY IMPROVEMENTS**

**Bid No. 2022- 03-08**

**Bid Date: Thursday, April 21, 2022**

In accordance with 40A:11-1 et seq., I hereby certify that

A) \_\_\_\_\_ *(Name of Company)* owns all the necessary equipment as required by the specifications and to complete the specified Construction project.

**or**

B) \_\_\_\_\_ *(Name of Company)* leases or controls all the necessary equipment as required by the specifications and to complete the specified Construction project.

**PLEASE NOTE:** If your company is not the actual owner of the equipment, **you shall Submit with the bid**

1. A certificate stating the source from which the equipment will be obtained and
2. Obtain and submit with the bid a certificate from the owner and person in control of the equipment, definitely granting to the bidder the control of the equipment required during such time it may be necessary for the completion of that portion of the contract for which said equipment will be necessary.

Name of Company \_\_\_\_\_

Authorized Agent \_\_\_\_\_ Title \_\_\_\_\_

**Authorized Signature** \_\_\_\_\_

# To be completed, signed and returned with Bid

Bid No. 2022-03-08

## STATE OF NEW JERSEY -- DIVISION OF PURCHASE AND PROPERTY DISCLOSURE OF INVESTMENT ACTIVITIES IN IRAN

Quote Number:

Bidder/Offeror:

### PART 1: CERTIFICATION

**BIDDERS MUST COMPLETE PART 1 BY CHECKING EITHER BOX.**

**FAILURE TO CHECK ONE OF THE BOXES WILL RENDER THE PROPOSAL NON-RESPONSIVE.**

Pursuant to Public Law 2012, c. 25, any person or entity that submits a bid or proposal or otherwise proposes to enter into or renew a contract must complete the certification below to attest, under penalty of perjury, that neither the person or entity, nor any of its parents, subsidiaries, or affiliates, is identified on the Department of Treasury's Chapter 25 list as a person or entity engaging in investment activities in Iran. The Chapter 25 list is found on the Division's website at <http://www.state.nj.us/treasury/purchase/pdf/Chapter25List.pdf>. Bidders **must** review this list prior to completing the below certification. **Failure to complete the certification will render a bidder's proposal non-responsive.** If the Director finds a person or entity to be in violation of law, s/he shall take action as may be appropriate and provided by law, rule or contract, including but not limited to, imposing sanctions, seeking compliance, recovering damages, declaring the party in default and seeking debarment or suspension of the party

#### PLEASE CHECK THE APPROPRIATE BOX:

I certify, pursuant to Public Law 2012, c. 25, that neither the bidder listed above nor any of the bidder's parents, subsidiaries, or affiliates is listed on the N.J. Department of the Treasury's list of entities determined to be engaged in prohibited activities in Iran pursuant to P.L. 2012, c. 25 ("Chapter 25 List"). I further certify that I am the person listed above, or I am an officer or representative of the entity listed above and am authorized to make this certification on its behalf. **I will skip Part 2 and sign and complete the Certification below.**

**OR**

I am unable to certify as above because the bidder and/or one or more of its parents, subsidiaries, or affiliates is listed on the Department's Chapter 25 list. I will provide a detailed, accurate and precise description of the activities in Part 2 below and sign and complete the Certification below. Failure to provide such will result in the proposal being rendered as non-responsive and appropriate penalties, fines and/or sanctions will be assessed as provided by law.

### PART 2: PLEASE PROVIDE FURTHER INFORMATION RELATED TO INVESTMENT ACTIVITIES IN IRAN

You must provide a detailed, accurate and precise description of the activities of the bidding person/entity, or one of its parents, subsidiaries or affiliates, engaging in the investment activities in Iran outlined above by completing the boxes below.

**EACH BOX WILL PROMPT YOU TO PROVIDE INFORMATION RELATIVE TO THE ABOVE QUESTIONS. PLEASE PROVIDE THOROUGH ANSWERS TO EACH QUESTION. IF YOU NEED TO MAKE ADDITIONAL ENTRIES, CLICK THE "ADD AN ADDITIONAL ACTIVITIES ENTRY" BUTTON.**

Name	<input type="text"/>	Relationship to Bidder/Offeror	<input type="text"/>
Description of Activities	<input type="text"/>		
Duration of Engagement	<input type="text"/>	Anticipated Cessation Date	<input type="text"/>
Bidder/Offeror Contact Name	<input type="text"/>	Contact Phone Number	<input type="text"/>

ADD AN ADDITIONAL ACTIVITIES ENTRY

Certification: I, being duly sworn upon my oath, hereby represent that the foregoing information and any attachments thereto to the best of my knowledge are true and complete. I acknowledge: that I am authorized to execute this certification on behalf of the bidder; that the State of New Jersey is relying on the information contained herein and that I am under a continuing obligation from the date of this certification through the completion of any contracts with the State to notify the State in writing of any changes to the information contained herein; that I am aware that it is a criminal offense to make a false statement or misrepresentation in this certification, and if I do so, I am subject to criminal prosecution under the law and that it will constitute a material breach of my agreement(s) with the State, permitting the State to declare any contract(s) resulting from this certification void and unenforceable.

Full Name (Print):

Signature:

**Do Not Enter PIN as a Signature**

Title:

Date:

**NON-COLLUSION AFFIDAVIT**

**ETHEL ROAD ROADWAY IMPROVEMENTS**

Re: Bid Proposal for the Township of Piscataway.

**Bid No. 2022-03-08**

STATE OF \_\_\_\_\_

**Bid Date: Thursday, April 21, 2022**

:SS:

COUNTY OF \_\_\_\_\_

I, \_\_\_\_\_ of the City of \_\_\_\_\_

in the County of \_\_\_\_\_ and the State of \_\_\_\_\_

of full age, being duly sworn according to law on my oath depose and say that:

I am \_\_\_\_\_ (Position in Company)

of the firm of \_\_\_\_\_ and the bidder making the Proposal for the above names contract, and that I executed the said Proposal with full authority so to do; that I have not, directly or indirectly, entered into any agreement, participated in any collusion, discussed any or all parts of this proposal with any potential bidder, or otherwise taken any action in restraint of free, competitive bidding in connection with the above named bid, and that all statements contained in said Proposal and in this affidavit are true and correct, and made with full knowledge that the Township of Piscataway relies upon the truth of the statements contained in said Proposal and in the statements contained in this affidavit in awarding the contract for the said bid.

I further warrant that no person or selling agency has been employed or retained to solicit or secure such contract upon an agreement or understanding for a commission, percentage, brokerage or contingent fee, except bona fide employees of bona fide established commercial or selling agencies maintained by

\_\_\_\_\_  
**(Print Name of Contractor)**

\_\_\_\_\_  
**(SIGNATURE OF CONTRACTOR)**

**PREVAILING WAGES CERTIFICATION**

**Bid No. 2022-03-08**

**ETHEL ROAD ROADWAY IMPROVEMENTS**

It is the determination of the Township of Piscataway that this is a public works project that in total will exceed \$2,000.00 (two thousand dollars), therefore prevailing wages rules and regulations apply as promulgated by the New Jersey Prevailing Wage Act and in conformance with N.J.S.A. 34:11-56:25 et seq.

**Certification**

1. I certify that our company understands that this project of the Township of Piscataway requires prevailing wages to be paid in full accordance with the law.
2. I further certify that all subcontractors named in this bid understand that this project requires the subcontractor to pay prevailing wages in full accordance with the law.

**Non-compliance Statement**

If it is found that any worker, employed by the contractor or any subcontractor covered by said contract, has been paid a rate of wages less than the prevailing wage required to be paid by such contract, The Township, may begin proceedings to terminate the contractor's or subcontractor's right to proceed with the work, or such part of the work as to which there has been a failure to pay required wages and to prosecute the work to completion or otherwise. The contractor and his sureties shall be liable for any excess costs occasioned thereby to the public body.

**NOTIFICATION OF VIOLATIONS – New Jersey Department of Labor and Workforce Development**

Has the bidder or any person having an “interest” with the bidder, been notified by the New Jersey Department of Labor and Workforce Development by notice issued pursuant to N.J.S.A. 34:11-56:37 that he/she has been in violation for failure to pay prevailing wages as required by the New Jersey Prevailing Wage Act within the last five (5) years?

\* Yes \_\_\_\_\_

No \_\_\_\_\_

\*If yes, please attach a signed document explaining any/or all administrative proceedings with the Department within the last five (5) years. Please include any pending administrative proceedings with the Department if any.

**Submission of Certified Payroll Records**

All certified payroll records are to be submitted to the person named below who is coordinating the activities for the project:

\_\_\_\_\_  
JOSEPH HERRERA, CFM DIVISION OF ENGINEERING  
The Township of Piscataway

Name of Company \_\_\_\_\_

Authorized Agent \_\_\_\_\_

**Authorized Signature** \_\_\_\_\_

## *To be completed, signed and returned with Bid/Proposal*

### **Bid No: 2022-03-08 STATEMENT OF OWNERSHIP DISCLOSURE**

N.J.S.A. 52:25-24.2 (P.L. 1977, c.33, as amended by P.L. 2016, c.43)

**This statement shall be completed, certified to, and included with all bid and proposal submissions. Failure to submit the required information is cause for automatic rejection of the bid or proposal.**

Name of Organization: \_\_\_\_\_

Organization Address: \_\_\_\_\_

City, State, ZIP: \_\_\_\_\_

#### **Part I Check the box that represents the type of business organization:**

- Sole Proprietorship (skip Parts II and III, execute certification in Part IV)
- Non-Profit Corporation (skip Parts II and III, execute certification in Part IV)
- For-Profit Corporation (any type)       Limited Liability Company (LLC)
- Partnership       Limited Partnership       Limited Liability Partnership (LLP)
- Other (be specific): \_\_\_\_\_

#### **Part II Check the appropriate box**

- The list below contains the names and addresses of all stockholders in the corporation who own 10 percent or more of its stock, of any class, or of all individual partners in the partnership who own a 10 percent or greater interest therein, or of all members in the limited liability company who own a 10 percent or greater interest therein, as the case may be. **(COMPLETE THE LIST BELOW IN THIS SECTION)**

**OR**

- No one stockholder in the corporation owns 10 percent or more of its stock, of any class, or no individual partner in the partnership owns a 10 percent or greater interest therein, or no member in the limited liability company owns a 10 percent or greater interest therein, as the case may be. **(SKIP TO PART IV)**

(Please attach additional sheets if more space is needed):

Name of Individual or Business Entity	Home Address (for Individuals) or Business Address

**Part III DISCLOSURE OF 10% OR GREATER OWNERSHIP IN THE STOCKHOLDERS, PARTNERS OR LLC MEMBERS LISTED IN PART II**

If a bidder has a direct or indirect parent entity which is publicly traded, and any person holds a 10 percent or greater beneficial interest in the publicly traded parent entity as of the last annual federal Security and Exchange Commission (SEC) or foreign equivalent filing, ownership disclosure can be met by providing links to the website(s) containing the last annual filing(s) with the federal Securities and Exchange Commission (or foreign equivalent) that contain the name and address of each person holding a 10% or greater beneficial interest in the publicly traded parent entity, along with the relevant page numbers of the filing(s) that contain the information on each such person. **Attach additional sheets if more space is needed.**

Website (URL) containing the last annual SEC (or foreign equivalent) filing	Page #'s

Please list the names and addresses of each stockholder, partner or member owning a 10 percent or greater interest in any corresponding corporation, partnership and/or limited liability company (LLC) listed in Part II **other than for any publicly traded parent entities referenced above.** The disclosure shall be continued until names and addresses of every non-corporate stockholder, and individual partner, and member exceeding the 10 percent ownership criteria established pursuant to N.J.S.A. 52:25-24.2 has been listed. **Attach additional sheets if more space is needed.**

Stockholder/Partner/Member and Corresponding Entity Listed in Part II	Home Address (for Individuals) or Business Address

**Part IV Certification**

I, being duly sworn upon my oath, hereby represent that the foregoing information and any attachments thereto to the best of my knowledge are true and complete. I acknowledge: that I am authorized to execute this certification on behalf of the bidder/proposer; that **The Township of Piscataway** is relying on the information contained herein and that I am under a continuing obligation from the date of this certification through the completion of any contracts with **The Township of Piscataway** to notify **The Township of Piscataway** in writing of any changes to the information contained herein; that I am aware that it is a criminal offense to make a false statement or misrepresentation in this certification, and if I do so, I am subject to criminal prosecution under the law and that it will constitute a material breach of my agreement(s) with the, permitting **The Township of Piscataway** to declare any contract(s) resulting from this certification void and unenforceable.

Full Name (Print):		Title:	
Signature:		Date:	

**This statement shall be completed, certified to, and included with all bid and proposal submissions. Failure to submit the required information is cause for automatic rejection of the bid or proposal.**

***To be completed, signed and returned with Bid***

**SUBCONTRACTOR'S DISCLOSURE FORM**

**ETHEL ROAD ROADWAY IMPROVEMENTS**

**Bid No. 2022- 03-08**

**Bid Date: Thursday, April 21, 2022**

The \_\_\_\_\_ *(Name of Bidding Company)*

**Please Check One!** \_\_\_\_\_ will sub-contract a portion of this project.  
 \_\_\_\_\_ will not sub-contract any portion of this project.

**Authorized Agent** \_\_\_\_\_ **Title** \_\_\_\_\_

**Signature of Bidder** \_\_\_\_\_ **Date** \_\_\_\_\_

If the bidder is not going to subcontract any portion of this project, the bidder need not complete any further part of this document.

If the bidder will subcontract any of the following:

- Plumbing/gas fitting work;
- Refrigeration/heating/ventilating systems & equipment
- Electrical work, tele-data, fire alarm or security systems
- Structural steel/ornamental iron work

the bidder must do the following:

- Identify the contract number and type of work he intends to subcontract;
- Provide the name, address and other pertinent information about the subcontractor;\*
- If the cost of the work by the subcontractor shall exceed the amounts listed below, the bidder shall provide in the bid package submission the following documents:

<b><u>SUBCONTRACTOR DOCUMENT SUBMISSIONS</u></b>		
<i><u>Estimated Value of Contract – Subcontractor</u></i>	<i>For Subcontractors in the four major branches listed above</i>	<i>For all other Subcontractors</i>
	<b><u>Submit With Bid</u></b>	<b><u>Submit Within ten (10 Days of Receipt of Notice of Award</u></b>
\$2,000 through \$5,999	Contractor's Registration Certificate	
\$6,000 through \$17,499	Contractor's Registration Certificate New Jersey Business Registration Certificate	
\$17,500 through \$19,999	Contractor's Registration Certificate New Jersey Business Registration Certificate	
\$20,000 or more	Contractor's Registration Certificate New Jersey Business Registration Certificate	

Please list subcontractor(s) on the following pages. Bidders may make extra copies of the following pages.

*\* Failure to identify the names and addresses of any subcontractors required to be named in the bid, or to submit the appropriate documents for each such subcontractor, may be cause for the bid to be rejected as being non-responsive.*

***(Form continued on next page)***

**Subcontractor's Disclosure Statement (Continued)**

**Return With Bid**

**ETHEL ROAD ROADWAY IMPROVEMENTS**

**Bid No. 2022-03-08**

**Bid Date: Thursday, April 21, 2022**

**1. Sub-Contractor for PLUMBING AND GAS FITTING WORK**

Name of Subcontracting Company \_\_\_\_\_

Address \_\_\_\_\_

City, State, Zip \_\_\_\_\_

Telephone \_\_\_\_\_ Fax \_\_\_\_\_

E-Mail \_\_\_\_\_ FEIN No: \_\_\_\_\_

Authorized Agent \_\_\_\_\_ Title \_\_\_\_\_

Will the cost of sub-contract exceed \$20,000.00?

\_\_\_\_\_ Yes Estimated Value of Contract \$ \_\_\_\_\_

\_\_\_\_\_ No Estimated Value of Contract \$ \_\_\_\_\_

If checked **yes**, the sub-contractor must be pre-qualified to perform the work. The bidder must provide in the bid package the following:

- The subcontractor's Notice of Classification;
- The subcontractor's Total Amount of Uncompleted Contracts; and
- Other documents that are required:

<b><u>SUBCONTRACTOR DOCUMENT SUBMISSIONS</u></b>		
<i><u>Estimated Value of Contract – Subcontractor</u></i>	<i>For Subcontractors in the four major branches listed above</i>	<i>For all other Subcontractors</i>
	<b><u>Submit With Bid</u></b>	<b><u>Submit Within ten (10 Days of Receipt of Notice of Award</u></b>
\$2,000 through \$5,999	Contractor's Registration Certificate	
\$6,000 through \$17,499	Contractor's Registration Certificate New Jersey Business Registration Certificate	
\$17,500 through \$19,999	Contractor's Registration Certificate New Jersey Business Registration Certificate	
\$20,000 or more	Contractor's Registration Certificate New Jersey Business Registration Certificate	

**Certification of Equipment**

The \_\_\_\_\_ hereby certifies the above named  
*Name of Bidding Company*  
subcontractor has the personnel, equipment, experience, financial and sufficient means to complete their portion of the contract in full accordance with the bid specifications.

\_\_\_\_\_  
**Authorized Agent (Print) -- Bidder**

\_\_\_\_\_  
**Signature of Authorized Agent—Bidder**  
**(Form continued on next page)**



**ETHEL ROAD ROADWAY IMPROVEMENTS**

**Bid No. 2022-03-08**

**Bid Date: Thursday, April 21, 2022**

**2. Sub-Contractor for REFRIGERATION, HEATING & VENTILATING SYSTEMS AND EQUIPMENT**

Name of Subcontracting Company \_\_\_\_\_

Address \_\_\_\_\_

City, State, Zip \_\_\_\_\_

Telephone \_\_\_\_\_ Fax \_\_\_\_\_

E-Mail \_\_\_\_\_ FEIN No: \_\_\_\_\_

Authorized Agent \_\_\_\_\_ Title \_\_\_\_\_

Will the cost of sub-contract exceed \$20,000.00?

\_\_\_\_\_ Yes Estimated Value of Contract \$ \_\_\_\_\_

\_\_\_\_\_ No Estimated Value of Contract \$ \_\_\_\_\_

If checked **yes**, the sub-contractor must be pre-qualified to perform the work. The bidder must provide in the bid package the following:

- The subcontractor's Notice of Classification;
- The subcontractor's Total Amount of Uncompleted Contracts; and
- Other documents that are required:

<b><u>SUBCONTRACTOR DOCUMENT SUBMISSIONS</u></b>		
<i><u>Estimated Value of Contract – Subcontractor</u></i>	<i>For Subcontractors in the four major branches listed above</i>	<i>For all other Subcontractors</i>
	<b><u>Submit With Bid</u></b>	<b><u>Submit Within ten (10 Days of Receipt of Notice of Award</u></b>
\$2,000 through \$5,999	Contractor's Registration Certificate	
\$6,000 through \$17,499	Contractor's Registration Certificate New Jersey Business Registration Certificate	
\$17,500 through \$19,999	Contractor's Registration Certificate New Jersey Business Registration Certificate	
\$20,000 or more	Contractor's Registration Certificate New Jersey Business Registration Certificate	

**Certification of Equipment**

The \_\_\_\_\_ hereby certifies the above named  
*Name of Bidding Company*  
subcontractor has the personnel, equipment, experience, financial and sufficient means to complete their portion of the contract in full accordance with the bid specifications.

\_\_\_\_\_  
**Authorized Agent (Print) -- Bidder**

\_\_\_\_\_  
**Signature of Authorized Agent—Bidder**  
**(form continued on next page)**

**ETHEL ROAD ROADWAY IMPROVEMENTS**

**Bid No. 2022-03-08**

**Bid Date: Thursday, April 21, 2022**

**3. Sub-Contractor for ELECTRICAL WORK; TELE-DATA, FIRE ALARM OR SECURITY SYSTEMS**

Name of Subcontracting Company \_\_\_\_\_

Address \_\_\_\_\_

City, State, Zip \_\_\_\_\_

Telephone \_\_\_\_\_ Fax \_\_\_\_\_

E-Mail \_\_\_\_\_ FEIN No: \_\_\_\_\_

Authorized Agent \_\_\_\_\_ Title \_\_\_\_\_

Will the cost of sub-contract exceed \$20,000.00?

\_\_\_\_\_ Yes Estimated Value of Contract \$ \_\_\_\_\_

\_\_\_\_\_ No Estimated Value of Contract \$ \_\_\_\_\_

If checked **yes**, the sub-contractor must be pre-qualified to perform the work. The bidder must provide in the bid package the following:

- The subcontractor's Notice of Classification;
- The subcontractor's Total Amount of Uncompleted Contracts; and
- Other documents that are required:

<b><u>SUBCONTRACTOR DOCUMENT SUBMISSIONS</u></b>		
<i><u>Estimated Value of Contract – Subcontractor</u></i>	<i>For Subcontractors in the four major branches listed above</i>	<i>For all other Subcontractors</i>
	<b><u>Submit With Bid</u></b>	<b><u>Submit Within ten (10 Days of Receipt of Notice of Award</u></b>
\$2,000 through \$5,999	Contractor's Registration Certificate	
\$6,000 through \$17,499	Contractor's Registration Certificate New Jersey Business Registration Certificate	
\$17,500 through \$19,999	Contractor's Registration Certificate New Jersey Business Registration Certificate	
\$20,000 or more	Contractor's Registration Certificate New Jersey Business Registration Certificate	

**Certification of Equipment**

The \_\_\_\_\_ hereby certifies the above named  
*Name of Bidding Company*

subcontractor has the personnel, equipment, experience, financial and sufficient means to complete their portion of the contract in full accordance with the bid specifications.

\_\_\_\_\_  
**Authorized Agent (Print) -- Bidder**

\_\_\_\_\_  
**Signature of Authorized Agent—Bidder**

**(form continued on next page)**

**ETHEL ROAD ROADWAY IMPROVEMENTS**

**Bid No. 2022-03-08**

**Bid Date: Thursday, April 21, 2022**

**4. Sub-Contractor for STRUCTURAL STEEL & IRON WORK**

Name of Subcontracting Company \_\_\_\_\_

Address \_\_\_\_\_

City, State, Zip \_\_\_\_\_

Telephone \_\_\_\_\_ Fax \_\_\_\_\_

E-Mail \_\_\_\_\_ FEIN No: \_\_\_\_\_

Authorized Agent \_\_\_\_\_ Title \_\_\_\_\_

Will the cost of sub-contract exceed \$20,000.00?

\_\_\_\_\_ Yes Estimated Value of Contract \$ \_\_\_\_\_

\_\_\_\_\_ No Estimated Value of Contract \$ \_\_\_\_\_

If checked **yes**, the sub-contractor must be pre-qualified to perform the work. The bidder must provide in the bid package the following:

- The subcontractor's Notice of Classification;
- The subcontractor's Total Amount of Uncompleted Contracts; and
- Other documents that are required:

<b><u>SUBCONTRACTOR DOCUMENT SUBMISSIONS</u></b>		
<i><u>Estimated Value of Contract – Subcontractor</u></i>	<i><u>For Subcontractors in the four major branches listed above</u></i>	<i><u>For all other Subcontractors</u></i>
	<b><u>Submit With Bid</u></b>	<b><u>Submit Within ten (10 Days of Receipt of Notice of Award</u></b>
\$2,000 through \$5,999	Contractor's Registration Certificate	
\$6,000 through \$17,499	Contractor's Registration Certificate New Jersey Business Registration Certificate	
\$17,500 through \$19,999	Contractor's Registration Certificate New Jersey Business Registration Certificate	
\$20,000 or more	Contractor's Registration Certificate New Jersey Business Registration Certificate	

**Certification of Equipment**

The \_\_\_\_\_ hereby certifies the above named  
*Name of Bidding Company*

subcontractor has the personnel, equipment, experience, financial and sufficient means to complete their portion of the contract in full accordance with the bid specifications.

\_\_\_\_\_  
**Authorized Agent (Print) -- Bidder**

\_\_\_\_\_  
**Signature of Authorized Agent—Bidder**

**(form continued on next page)**

**To be completed, signed and returned with Bid**

(IF APPLICABLE)

**Subcontractor's Disclosure Statement**  
**Other Trades**  
**ETHEL ROAD ROADWAY IMPROVEMENTS**

**Bid No. 2022-03-08**

**Bid Date: Thursday, April 21, 2022**

**5. Name of Trade/Type of Work** \_\_\_\_\_

Name of Subcontracting Company \_\_\_\_\_

Address \_\_\_\_\_

City, State, Zip \_\_\_\_\_

Telephone \_\_\_\_\_ Fax \_\_\_\_\_

E-Mail \_\_\_\_\_ FEIN No: \_\_\_\_\_

Authorized Agent \_\_\_\_\_ Title \_\_\_\_\_

Will the cost of sub-contract exceed \$20,000.00?

\_\_\_\_\_ Yes Estimated Value of Contract \$ \_\_\_\_\_

\_\_\_\_\_ No Estimated Value of Contract \$ \_\_\_\_\_

If checked **yes**, the sub-contractor must be pre-qualified to perform the work. The bidder must provide in the bid package the following:

- The subcontractor's Notice of Classification;
- The subcontractor's Total Amount of Uncompleted Contracts; and
- Other documents that are required:

<b><u>SUBCONTRACTOR DOCUMENT SUBMISSIONS</u></b>		
<i><u>Estimated Value of Contract – Subcontractor</u></i>	<i>For Subcontractors in the four major branches listed above</i>	<i>For all other Subcontractors</i>
	<b><u>Submit With Bid</u></b>	<b><u>Submit Within ten (10 Days of Receipt of Notice of Award</u></b>
\$2,000 through \$5,999	Contractor's Registration Certificate	
\$6,000 through \$17,499	Contractor's Registration Certificate New Jersey Business Registration Certificate	
\$17,500 through \$19,999	Contractor's Registration Certificate New Jersey Business Registration Certificate	
\$20,000 or more	Contractor's Registration Certificate New Jersey Business Registration Certificate	

**Certification of Equipment**

The \_\_\_\_\_ hereby certifies the above named  
*Name of Bidding Company*

subcontractor has the personnel, equipment, experience, financial and sufficient means to complete their portion of the contract in full accordance with the bid specifications.

\_\_\_\_\_  
**Authorized Agent (Print) -- Bidder**

\_\_\_\_\_  
**Signature of Authorized Agent—Bidder**

**Bid No. 2022-03-08**

**Sworn Contractor Certification; Qualifications and Credentials**

Pursuant to N.J.S.A. 40A:11-1 et seq., a pre-qualified contractor seeking to bid Construction Projects, and any subcontractors, that are required to be named under N.J.S.A. 40A:11-1 et seq., shall, as a condition of bidding, submit this Sworn Contractor Certification regarding qualifications and credentials.

I, \_\_\_\_\_, the principal owner or officer of the company certify that the forging statements are true and our firm has the following qualifications and credentials:

1. A current, valid certificate of registration issued pursuant to “The Construction Project Contractor Registration Act,” N.J.S.A. 34:11-56:48 et seq. A copy of which is submitted with its bid;
2. A current, valid Certificate of Authority (Business Registration) to perform work in New Jersey issued by the Department of Treasury, a copy of which is submitted with its bid;
3. A current valid contractor trade license required under applicable New Jersey Law for any specialty trade or specialty area in which the firm seeks to perform work, a copy of which is submitted with its bid;
4. During the term of The Township project, I as principal owner or officer of the company or corporation, as contractor, will have in place a suitable quality control and quality assurance program and an appropriate safety and health plan.

Name of Company \_\_\_\_\_

Print Name of Owner or Officer \_\_\_\_\_

**Signature of Owner or Officer** \_\_\_\_\_

**AMERICANS WITH DISABILITIES ACT OF 1990  
Equal Opportunity for Individuals with Disability**

The contractor and The Township of Piscataway (hereafter "owner") do hereby agree that the provisions of Title 11 of the Americans With Disabilities Act of 1990 (the "Act") (42 U.S.C. S121 01 et seq.), which prohibits discrimination on the basis of disability by public entities in all services, programs, and activities provided or made available by public entities, and the rules and regulations promulgated pursuant there unto, are made a part of this contract. In providing any aid, benefit, or service on behalf of the owner pursuant to this contract, the contractor agrees that the performance shall be in strict compliance with the Act. In the event that the contractor, its agents, servants, employees, or subcontractors violate or are alleged to have violated the Act during the performance of this contract, the contractor shall defend the owner in any action or administrative proceeding commenced pursuant to this Act. The contractor shall indemnify, protect, and save harmless the owner, its agents, servants, and employees from and against any and all suits, claims, losses, demands, or damages, of whatever kind or nature arising out of or claimed to arise out of the alleged violation. The contractor shall, at its own expense, appear, defend, and pay any and all charges for legal services and any and all costs and other expenses arising from such action or administrative proceeding or incurred in connection therewith. In any and all complaints brought pursuant to the owner's grievance procedure, the contractor agrees to abide by any decision of the owner which is rendered pursuant to said grievance procedure. If any action or administrative proceeding results in an award of damages against the owner, or if the owner incurs any expense to cure a violation of the ADA which has been brought pursuant to its grievance procedure, the contractor shall satisfy and discharge the same at its own expense.

The owner shall, as soon as practicable after a claim has been made against it, give written notice thereof to the contractor along with full and complete particulars of the claim, If any action or administrative proceeding is brought against the owner or any of its agents, servants, and employees, the *owner shall* expeditiously forward or have forwarded to the contractor every demand, complaint, notice, summons, pleading, or other process received by the owner or its representatives.

It is expressly agreed and understood that any approval by the owner of the services provided by the contractor pursuant to this contract will not relieve the contractor of the obligation to comply with the Act and to defend, indemnify, protect, and save harmless the owner pursuant to this paragraph.

It is further agreed and understood that the owner assumes no obligation to indemnify or save harmless the contractor, its agents, servants, employees and subcontractors for any claim which may arise out of their performance of this Agreement. Furthermore, the contractor expressly understands and agrees that the provisions of this indemnification clause shall in no way limit the contractor's obligations assumed in this Agreement, nor shall they be construed to relieve the contractor from any liability, nor preclude the owner from taking any other actions available to it under any other provisions of the Agreement or otherwise at law.

Name of Company \_\_\_\_\_

Authorized Agent \_\_\_\_\_

Title or Position \_\_\_\_\_

**Signature** \_\_\_\_\_

**Date** \_\_\_\_\_

**EXHIBIT "B"**  
**MANDATORY EQUAL EMPLOYMENT OPPORTUNITY LANGUAGE**  
**N.J.S.A. 10:5-31 et seq. (P.L.1975, c.127)**  
**N.J.A.C. 17:27-1.1 et seq.**  
**CONSTRUCTION CONTRACTS**

During the performance of this contract, the contractor agrees as follows:

The contractor or subcontractor, where applicable, will not discriminate against any employee or applicant for employment because of age, race, creed, color, national origin, ancestry, marital status, affectional or sexual orientation, gender identity or expression, disability, nationality or sex. Except with respect to affectional or sexual orientation and gender identity or expression, the contractor will ensure that equal employment opportunity is afforded to such applicants in recruitment and employment, and that employees are treated during employment, without regard to their age, race, creed, color, national origin, ancestry, marital status, affectional or sexual orientation, gender identity or expression, disability, nationality or sex. Such equal employment opportunity shall include, but not be limited to the following: employment, upgrading, demotion, or transfer; recruitment or recruitment advertising; layoff or termination; rates of pay or other forms of compensation; and selection for training, including apprenticeship. The contractor agrees to post in conspicuous places, available to employees and applicants for employment, notices to be provided by the Public Agency Compliance Officer setting forth provisions of this nondiscrimination clause.

The contractor or subcontractor, where applicable will, in all solicitations or advertisements for employees placed by or on behalf of the contractor, state that all qualified applicants will receive consideration for employment without regard to age, race, creed, color, national origin, ancestry, marital status, affectional or sexual orientation, gender identity or expression, disability, nationality or sex.

The contractor or subcontractor will send to each labor union, with which it has a collective bargaining agreement, a notice, to be provided by the agency contracting officer, advising the labor union or workers' representative of the contractor's commitments under this act and shall post copies of the notice in conspicuous places available to employees and applicants for employment.

The contractor or subcontractor, where applicable, agrees to comply with any regulations promulgated by the Treasurer, pursuant to N.J.S.A. 10:5-31 et seq., as amended and supplemented from time to time and the Americans with Disabilities Act.

When hiring or scheduling workers in each construction trade, the contractor or subcontractor agrees to make good faith efforts to employ minority and women workers in each construction trade consistent with the targeted employment goal prescribed by N.J.A.C. 17:27-7.2; provided, however, that the Dept. of LWD, Construction EEO Monitoring Program, may, in its discretion, exempt a contractor or subcontractor from compliance with the good faith procedures prescribed by the following provisions, A, B, and C, as long as the Dept. of LWD, Construction EEO Monitoring Program is satisfied that the contractor or subcontractor is employing workers provided by a union which provides evidence, in accordance with standards prescribed by the Dept. of LWD, Construction EEO Monitoring Program, that its percentage of active "card carrying" members who are minority and women workers is equal to or greater than the targeted employment goal established in accordance with N.J.A.C. 17:27-7.2. The contractor or subcontractor agrees that a good faith effort shall include compliance with the following procedures:

- (A) If the contractor or subcontractor has a referral agreement or arrangement with a union for a construction trade, the contractor or subcontractor shall, within three business days of the contract award, seek assurances from the union that it will cooperate with the contractor or subcontractor as it fulfills its affirmative action obligations under this contract and in accordance with the rules promulgated by the Treasurer pursuant to N.J.S.A. 10:5-31 et seq., as supplemented and amended from time to time and the Americans with Disabilities Act. If the contractor or subcontractor is unable to obtain said assurances from the construction trade union at least five business days prior to the commencement of construction work, the contractor or subcontractor agrees to afford equal employment opportunities minority and women workers directly, consistent with this chapter. If the contractor's or subcontractor's prior experience with a construction trade union, regardless of whether the union has provided said assurances, indicates a significant possibility that the trade union will not refer sufficient minority and women workers consistent with affording equal employment opportunities as specified in this chapter, the contractor or subcontractor agrees to be prepared to provide such opportunities to minority and women workers directly, consistent with this chapter, by complying with the hiring or scheduling procedures prescribed under (B) below; and the contractor or subcontractor further agrees to take said action immediately if it determines that the union is not referring minority and women workers consistent with the equal employment opportunity goals set forth in this chapter.
- (B) If good faith efforts to meet targeted employment goals have not or cannot be met for each construction trade by adhering to the procedures of (A) above, or if the contractor does not have a referral agreement or arrangement with a union for a construction trade, the contractor or subcontractor agrees to take the following actions:
  - (1) To notify the public agency compliance officer, the Dept. of LWD, Construction EEO Monitoring Program, and minority and women referral organizations listed by the Division pursuant to N.J.A.C. 17:27-5.3, of its workforce needs, and request referral of minority and women workers;
  - (2) To notify any minority and women workers who have been listed with it as awaiting available vacancies;

(3) Prior to commencement of work, to request that the local construction trade union refer minority and women workers to fill job openings, provided the contractor or subcontractor has a referral agreement or arrangement with a union for the construction trade;

#### EXHIBIT B (Continued)

(4) To leave standing requests for additional referral to minority and women workers with the local construction trade union, provided the contractor or subcontractor has a referral agreement or arrangement with a union for the construction trade, the State Training and Employment Service and other approved referral sources in the area;

(5) If it is necessary to lay off some of the workers in a given trade on the construction site, layoffs shall be conducted in compliance with the equal employment opportunity and nondiscrimination standards set forth in this regulation, as well as with applicable Federal and State court decisions;

(6) To adhere to the following procedure when minority and women workers apply or are referred to the contractor or subcontractor:

(i) The contractor or subcontractor shall interview the referred minority or women worker.

(ii) If said individuals have never previously received any document or certification signifying a level of qualification lower than that required in order to perform the work of the construction trade, the contractor or subcontractor shall in good faith determine the qualifications of such individuals. The contractor or subcontractor shall hire or schedule those individuals who satisfy appropriate qualification standards in conformity with the equal employment opportunity and non-discrimination principles set forth in this chapter. However, a contractor or subcontractor shall determine that the individual at least possesses the requisite skills, and experience recognized by a union, apprentice program or a referral agency, provided the referral agency is acceptable to the Dept. of LWD, Construction EEO Monitoring Program. If necessary, the contractor or subcontractor shall hire or schedule minority and women workers who qualify as trainees pursuant to these rules. All of the requirements, however, are limited by the provisions of (C) below.

(iii) The name of any interested women or minority individual shall be maintained on a waiting list, and shall be considered for employment as described in (i) above, whenever vacancies occur. At the request of the Dept. of LWD, Construction EEO Monitoring Program, the contractor or subcontractor shall provide evidence of its good faith efforts to employ women and minorities from the list to fill vacancies.

(iv) If, for any reason, said contractor or subcontractor determines that a minority individual or a woman is not qualified or if the individual qualifies as an advanced trainee or apprentice, the contractor or subcontractor shall inform the individual in writing of the reasons for the determination, maintain a copy of the determination in its files, and send a copy to the public agency compliance officer and to the Dept. of LWD, Construction EEO Monitoring Program.

(7) To keep a complete and accurate record of all requests made for the referral of workers in any trade covered by the contract, on forms made available by the Dept. of LWD, Construction EEO Monitoring Program and submitted promptly to the Dept. of LWD, Construction EEO Monitoring Program upon request.

(C) The contractor or subcontractor agrees that nothing contained in (B) above shall preclude the contractor or subcontractor from complying with the union hiring hall or apprenticeship policies in any applicable collective bargaining agreement or union hiring hall arrangement, and, where required by custom or agreement, it shall send journeymen and trainees to the union for referral, or to the apprenticeship program for admission, pursuant to such agreement or arrangement. However, where the practices of a union or apprenticeship program will result in the exclusion of minorities and women or the failure to refer minorities and women consistent with the targeted county employment goal, the contractor or subcontractor shall consider for employment persons referred pursuant to (B) above without regard to such agreement or arrangement; provided further, however, that the contractor or subcontractor shall not be required to employ women and minority advanced trainees and trainees in numbers which result in the employment of advanced trainees and trainees as a percentage of the total workforce for the construction trade, which percentage significantly exceeds the apprentice to journey worker ratio specified in the applicable collective bargaining agreement, or in the absence of a collective bargaining agreement, exceeds the ratio established by practice in the area for said construction trade. Also, the contractor or subcontractor agrees that, in implementing the procedures of (B) above, it shall, where applicable, employ minority and women workers residing within the geographical jurisdiction of the union.

After notification of award, but prior to signing a construction contract, the contractor shall submit to the public agency compliance officer and the Dept. of LWD, Construction EEO Monitoring Program an initial project workforce report (Form AA-201) electronically provided to the public agency by the Dept. of LWD, Construction EEO Monitoring Program, through its website, for distribution to and completion by the contractor, in accordance with N.J.A.C. 17:27-7. The contractor also agrees to submit a copy of the Monthly Project Workforce Report once a month thereafter for the duration of this contract to the Dept. of LWD, Construction EEO Monitoring Program, and to the public agency compliance officer.

The contractor agrees to cooperate with the public agency in the payment of budgeted funds, as is necessary, for on-the-job and/or off-the job programs for outreach and training of minorities and women.



(D) The contractor and its subcontractors shall furnish such reports or other documents to the Dept. of LWD, Construction EEO Monitoring Program as may be requested by the Dept. of LWD, Construction EEO Monitoring Program from time to time in order to carry out the purposes of these regulations, and public agencies shall furnish such information as may be requested by the Dept. of LWD, Construction EEO Monitoring Program for conducting a compliance investigation pursuant to N.J.A.C. 17:27-1.1 et seq.

(Revised: January, 2016)

**EXHIBIT B (Continued)**

DATED: \_\_\_\_\_

SIGNATURE: \_\_\_\_\_

PRINTED NAME: \_\_\_\_\_

TITLE: \_\_\_\_\_

COMPANY NAME: \_\_\_\_\_

ADDRESS: \_\_\_\_\_  
\_\_\_\_\_

**BID BOND**

BOND NO. \_\_\_\_\_

**KNOW ALL MEN BY THESE PRESENTS**, That we, \_\_\_\_\_  
as Principal, and \_\_\_\_\_, a corporation duly organized under the laws of the State of \_\_\_\_\_, as Surety, are held and firmly bound unto the Township of Piscataway as Obligee, in the sum of Ten Percent (10%) of the Total Bid, Not to Exceed Twenty Thousand Dollars (\$20,000.00) for the payment of which Principal and Surety Bind ourselves, our heirs, executors, administrators, successors and assigns, jointly and severally.

**WHEREAS**, Principal has submitted a bid for \_\_\_\_\_,  
the "Project."

**NOW, THEREFORE**, if the Obligee shall make any award according to the terms of said bid and the Principal shall enter into a contract with said Obligee in accordance with the terms of said bid and give bond for the faithful performance thereof within the time specified; or if no time is specified within thirty days after the date of said award; or if the Principal shall, in the case of failure so to do, shall pay to the Obligee the difference, not to exceed the amount of this Bond, between the amount specified in bid and such larger amount for which the Obligee may in good faith contract with another party to perform the work covered by said bid, then this obligation shall be null and void: otherwise to remain in full force and effect.

Signed and sealed this \_\_\_ day of \_\_\_\_\_, 20\_\_

Surety: \_\_\_\_\_

By: \_\_\_\_\_

Witness: \_\_\_\_\_

Principal: \_\_\_\_\_

By: \_\_\_\_\_

Witness: \_\_\_\_\_

## HOLD HARMLESS AGREEMENT

“To the fullest extent permitted by law, \_\_\_\_\_  
(Name of Contractor/Vendor/Facility User) agrees to defend, pay on behalf of, indemnify, and hold harmless the Township of Piscataway, its elected and appointed officials, its agents, employees and volunteers and others working on behalf of the Township of Piscataway, against any and all claims, demands, suits, or loss including all costs connected therewith, and for any damages which may be asserted, claimed or recovered against or from the Township of Piscataway, its elected and appointed officials, its agents, employees, volunteers or others working on behalf of the Township of Piscataway, by reason of personal injury, including bodily injury or death and/or property damage, including loss of use thereof, which arises out of or is in any way connected for associated with this contract”

By: \_\_\_\_\_  
Contractor/Vendor/Facility User

\_\_\_\_\_  
Township Of Piscataway

\_\_\_\_\_  
(Authorized Signature)

\_\_\_\_\_  
(Printed Name of Above)

\_\_\_\_\_  
(Address)

\_\_\_\_\_  
(City, State, Zip)

\_\_\_\_\_  
(Phone)

**BIDDER'S AFFIDAVIT**

I, \_\_\_\_\_, being duly sworn, deposes that he/she

resides at \_\_\_\_\_

\_\_\_\_\_

and that he/she is the \_\_\_\_\_ of \_\_\_\_\_  
(Title) (Name of Bidder)

I am duly authorized to sign the bid and that bid is the true offer of the bidder, that the seal attached thereto is the seal of the bidder, and that each, every and all the declarations and statements contained in the bid and any and all affidavits, questionnaires and documents submitted pursuant to the proposal forbids are true to the best of my knowledge and belief.

\_\_\_\_\_  
(Affiant)

**PLAN, EXPERIENCE AND EQUIPMENT QUESTIONNAIRE**

Submitted to \_\_\_\_\_

)A Corporation

By \_\_\_\_\_ )A Copartnership

)An Individual

Principal Office \_\_\_\_\_

The signatory of this questionnaire guarantees the truth and accuracy of all statements and of all answers to interrogatories hereinafter made.

1) In what manner have you inspected the proposed work? (explain in detail)

\_\_\_\_\_  
\_\_\_\_\_  
\_\_\_\_\_

2) Explain your plan or layout for performing the proposed work.

\_\_\_\_\_  
\_\_\_\_\_  
\_\_\_\_\_

3) The work, if awarded to you, will have the personal supervision of whom?

\_\_\_\_\_

4.1) How many years has your organization been in business under your present name?

\_\_\_\_\_

4.2) Have you ever failed to complete any work awarded to you? Yes \_\_\_\_ No \_\_\_\_  
(If yes, attach additional sheet with details and explanation.)

5) Do you intend to sublet any portion(s) of this work? Yes \_\_\_\_ No \_\_\_\_  
If yes, state amount of sub-contract, and if known, the name and address of the sub-contractor, amount and type of his equipment and financial responsibility.

6.) What equipment do you own that is available for and intended to be used on the present project?

QUANTITY	ITEM	DESCRIPTION, SIZE, CAPACITY, ETC	CONDITION	YEARS OF SERVICE	PRESENT LOCATION

7.) What equipment do you intend to purchase or lease for use on the proposed work, should the contract be awarded to you?

QUANTITY	ITEM	DESCRIPTION, SIZE, CAPACITY, ETC	APPROXIMATE COST	
			PURCHASE	LEASE

8) Have you made contracts or received firm offers for all materials prices used in preparing your proposal ? Yes \_\_\_\_ No \_\_\_\_ **Do not** give names of dealers or manufacturers.





**I CERTIFY THAT THE ABOVE INFORMATION IS CORRECT TO THE BEST OF MY KNOWLEDGE.**

DATED: \_\_\_\_\_

\_\_\_\_\_  
(Signature)

\_\_\_\_\_  
(Name and Title)

\_\_\_\_\_  
(Company Name)

\_\_\_\_\_  
(Address)

\_\_\_\_\_  
(City, State, Zip Code)

# C. 271 POLITICAL CONTRIBUTION DISCLOSURE FORM

## Public Agency Instructions

This page provides guidance to public agencies entering into contracts with business entities that are required to file Political Contribution Disclosure forms with the agency. **It is not intended to be provided to contractors.** What follows are instructions on the use of form local units can provide to contractors that are required to disclose political contributions pursuant to N.J.S.A. 19:44A-20.26 (P.L. 2005, c. 271, s.2). Additional information on the process is available in Local Finance Notice 2006-1 ([www.nj.gov/dca/lgs/lfn/lfnmenu.shtml](http://www.nj.gov/dca/lgs/lfn/lfnmenu.shtml)).

1. The disclosure is required for all contracts in excess of \$17,500 that are **not awarded** pursuant to a “fair and open” process (N.J.S.A. 19:44A-20.7).
2. Due to the potential length of some contractor submissions, the public agency should consider allowing data to be submitted in electronic form (i.e., spreadsheet, pdf file, etc.). Submissions must be kept with the contract documents or in an appropriate computer file and be available for public access. **The form is worded to accept this alternate submission.** The text should be amended if electronic submission will not be allowed.
3. The submission must be **received from the contractor and** on file at least 10 days prior to award of the contract. Resolutions of award should reflect that the disclosure has been received and is on file.
4. The contractor must disclose contributions made to candidate and party committees covering a wide range of public agencies, including all public agencies that have elected officials in the county of the public agency, state legislative positions, and various state entities. The Division of Local Government Services recommends that contractors be provided a list of the affected agencies. This will assist contractors in determining the campaign and political committees of the officials and candidates affected by the disclosure.
  - a. The Division has prepared model disclosure forms for each county. They can be downloaded from the “County PCD Forms” link on the Pay-to-Play web site at [www.nj.gov/dca/lgs/p2p](http://www.nj.gov/dca/lgs/p2p). They will be updated from time-to-time as necessary.
  - b. A public agency using these forms **should edit them to properly reflect the correct legislative district(s)**. As the forms are county-based, **they list all legislative districts in each county. Districts that do not represent the public agency should be removed from the lists.**
  - c. Some contractors may find it easier to provide a single list that covers all contributions, regardless of the county. These submissions are appropriate and should be accepted.
  - d. The form may be used “as-is”, subject to edits as described herein.
  - e. The “Contractor Instructions” sheet is intended to be provided with the form. It is recommended that the Instructions and the form be printed on the same piece of paper. The form notes that the Instructions are printed on the back of the form; where that is not the case, the text should be edited accordingly.
  - f. The form is a Word document and can be edited to meet local needs, and posted for download on web sites, used as an e-mail attachment, or provided as a printed document.
5. It is recommended that the contractor also complete a “Stockholder Disclosure Certification.” This will assist the local unit in its obligation to ensure that contractor did not make any prohibited contributions to the committees listed on the Business Entity Disclosure Certification in the 12 months prior to the contract. (See Local Finance Notice 2006-7 for additional

information on this obligation) A sample Certification form is part of this package and the instruction to complete it is included in the Contractor Instructions. **NOTE: This section is not applicable to Boards of Education.**

# C. 271 POLITICAL CONTRIBUTION DISCLOSURE FORM

## Contractor Instructions

Business entities (contractors) receiving contracts from a public agency that are NOT awarded pursuant to a “fair and open” process (defined at N.J.S.A. 19:44A-20.7) are subject to the provisions of P.L. 2005, c. 271, s.2 (N.J.S.A. 19:44A-20.26). This law provides that 10 days prior to the award of such a contract, the contractor shall disclose contributions to:

- any State, county, or municipal committee of a political party
- any legislative leadership committee\*
- any continuing political committee (a.k.a., political action committee)
- any candidate committee of a candidate for, or holder of, an elective office:
  - of the public entity awarding the contract
  - of that county in which that public entity is located
  - of another public entity within that county
  - or of a legislative district in which that public entity is located or, when the public entity is a county, of any legislative district which includes all or part of the county

The disclosure must list reportable contributions to any of the committees that exceed \$300 per election cycle that were made during the 12 months prior to award of the contract. See N.J.S.A. 19:44A-8 and 19:44A-16 for more details on reportable contributions.

N.J.S.A. 19:44A-20.26 itemizes the parties from whom contributions must be disclosed when a business entity is not a natural person. This includes the following:

- individuals with an “interest” ownership or control of more than 10% of the profits or assets of a business entity or 10% of the stock in the case of a business entity that is a corporation for profit
- all principals, partners, officers, or directors of the business entity or their spouses
- any subsidiaries directly or indirectly controlled by the business entity
- IRS Code Section 527 New Jersey based organizations, directly or indirectly controlled by the business entity and filing as continuing political committees, (PACs).

When the business entity is a natural person, “a contribution by that person’s spouse or child, residing therewith, shall be deemed to be a contribution by the business entity.” [N.J.S.A. 19:44A-20.26(b)] The contributor must be listed on the disclosure.

Any business entity that fails to comply with the disclosure provisions shall be subject to a fine imposed by ELEC in an amount to be determined by the Commission which may be based upon the amount that the business entity failed to report.

The enclosed list of agencies is provided to assist the contractor in identifying those public agencies whose elected official and/or candidate campaign committees are affected by the disclosure requirement. It is the contractor’s responsibility to identify the specific committees to which contributions may have been made and need to be disclosed. The disclosed information may exceed the minimum requirement.

The enclosed form, a content-consistent facsimile, or an electronic data file containing the required details (along with a signed cover sheet) may be used as the contractor’s submission and is disclosable to the public under the Open Public Records Act.

The contractor must also complete the attached Stockholder Disclosure Certification. This will assist the agency in meeting its obligations under the law. **NOTE: This section does not apply to Board of Education contracts.**

\* N.J.S.A. 19:44A-3(s): “The term "legislative leadership committee" means a committee established, authorized to be established, or designated by the President of the Senate, the Minority Leader of the Senate, the Speaker of the General Assembly or the Minority Leader of the General Assembly pursuant to section 16 of P.L.1993, c.65 (C.19:44A-10.1) for the purpose of receiving contributions and making expenditures.”





**List of Agencies with Elected Officials Required for Political Contribution Disclosure**  
**N.J.S.A. 19:44A-20.26**

**County Name:**

State: Governor, and Legislative Leadership Committees

Legislative District #s:

State Senator and two members of the General Assembly per district.

County:

Freeholders

County Clerk

Sheriff

{County Executive}

Surrogate

Municipalities (Mayor and members of governing body, regardless of title):

**USERS SHOULD CREATE THEIR OWN FORM, OR DOWNLOAD  
FROM [WWW.NJ.GOV/DCA/LGS/P2P](http://WWW.NJ.GOV/DCA/LGS/P2P) A COUNTY-BASED,  
CUSTOMIZABLE FORM.**



**I have read this Bid in its entirety and hereby affirm that the Provider agrees to all terms and acknowledge as outlined in the instructions to bidders.**

DATED: \_\_\_\_\_

\_\_\_\_\_  
(Signature)

\_\_\_\_\_  
(Name and Title)

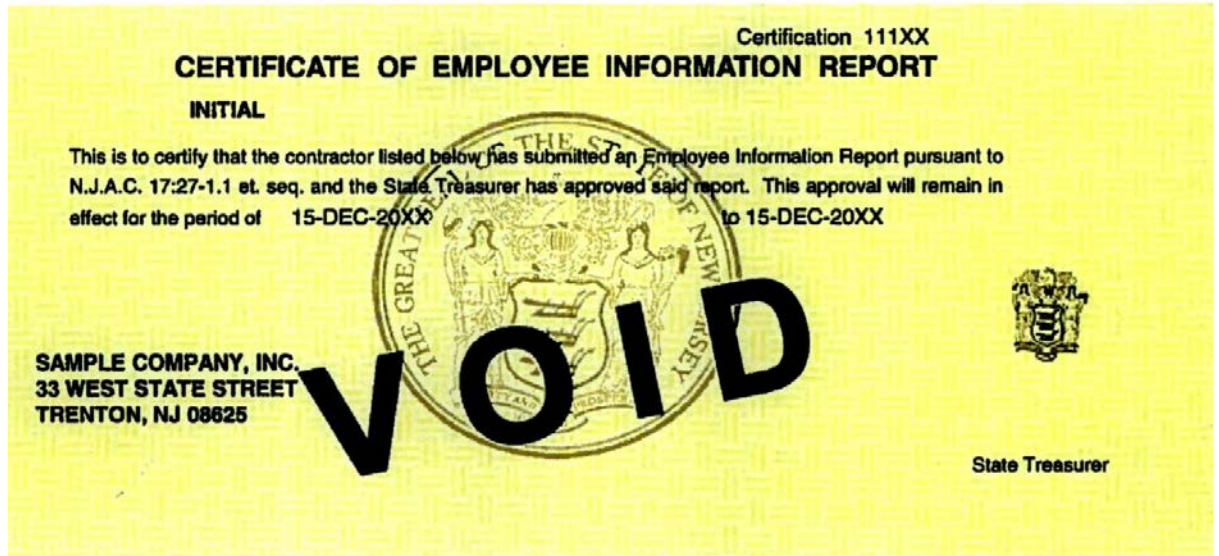
\_\_\_\_\_  
(Company Name)

\_\_\_\_\_  
(Address)

\_\_\_\_\_  
(City, State, Zip Code)

(Corporate Seal)

**SAMPLE CERTIFICATE OF EMPLOYEE INFORMATION REPORT**



**REQUIRED**

BID NO: 2022-03-08

# **TOWNSHIP OF PISCATAWAY**

**TOWNSHIP FORMS THAT ARE REQUIRED TO BE COMPLETED AND RETURNED WITH BID WITH BID DOCUMENTS:**

**HOLD HARMLESS AGREEMENT**

**BIDDERS AFFADVIT**

**PLAN & EXPERIENCE**

**PISCATAWAY BID BOND FORM**

**Pay to Play Form**

**CERTIFICATION LAST PAGE**

# **TOWNSHIP OF PISCATAWAY**

**TO All Bidders:**

## **REMINDER!**

**Did you sign all of the bid documents?**

**All bid documents returned to the Township shall be signed with original signatures. Please use [Blue Ink](#).**

**The Township will not accept facsimile or rubber stamp signatures.**

**Failure to sign and submit all bid documents may be cause for disqualification and rejection of the bid.**

**One “Original” and (One “True Copy” of the Original)**

.....  
**Cover Page with Name, Address, Phone Number, E-mail Address.**

**Return the entire original bid packet intact by the indicated deadline.**

Please check the Website: [www.piscatawaynj.org](http://www.piscatawaynj.org) for any Addendum

**Instructions: (Click on Home Page, EGov, Bids Download, Print)**

**Any Addendum must be submitted with Acknowledgement Addenda Form.**

E-mail questions to: [purchasing@piscatawaynj.org](mailto:purchasing@piscatawaynj.org)

**732-562-2320 (The Division of Purchasing)**

# TOWNSHIP OF PISCATAWAY

PLEASE COMPLETE & SIGN ALL OF  
THE REQUIRED FORMS IN BLUE INK

# THE TOWNSHIP OF PISCATAWAY



# TECHNICAL /SPECIFICATIONS

Pages 1-59



MARIA E. VALENTE-CAEMMERER

---

Purchasing Agent/Township Secretary

## **SPECIAL INSTRUCTIONS TO BIDDERS**

### **SITE EXAMINATION**

Bidders shall examine the site of the work before submitting their proposals.

### **SPECIFICATIONS AND INSPECTIONS**

All construction will conform to Township of Piscataway specifications and inspections as well as the requirements of the N.J.D.O.T. Standard Specifications for Road and Bridge Construction - 2019, as amended.

The contractor shall provide the Engineer or his representative with one copy of all delivery slips for materials used in this project. All materials found to be defective during the progress of the work will be rejected by the Engineer or his representative and the Contractor shall promptly remove such defective material from the job site.

### **MATERIALS**

All materials used in this project are to meet the approval of the Township Engineer.

### **UTILITY COMPANIES**

All utility companies are to be notified by the Contractor prior to the start of construction to ensure that their facilities will not deter the course of construction, and to insure accurate locations and safety considerations. The Contractor shall not start the work until he has notified all utilities and all utilities have marked the location of their facilities in the field.

Whenever the possibility of a conflict in elevation and / or horizontal location arises, it shall be the responsibility of the Contractor to arrange for test holes to be made in order to ascertain the existence of a conflict or lack of same.

No separate or additional payment shall be made for any work performed under this section.

### **CONSTRUCTION MATERIAL**

All prices to be quoted on pavement, curb, sewer, etc., shall include the necessary cost to remove and replace all obstacles to the proper completion of the work unless noted otherwise. Such obstacles may include street signs, trees, fences, existing curb and pavement, shrubbery and others as designated by the Township Engineer and as shown on the plans.

### **DAMAGE TO UTILITIES AND OTHER STRUCTURES**

The Contractor shall be responsible for all injury to water pipes, fire hydrants, gas pipes, electrical wire conduits, sewers, and other structures met within the prosecution of the work and shall be liable for damages to public or private property resulting there from which amounts may be deducted from any estimate due him. The Contractor is required to sling, shore up and secure in

their place all water pipes, gas pipes, electrical conduits, and sewers without injury, and to provide for and maintain the flow of water, gas, electricity, drainage and water courses, whether on the surface or underground, which may be intercepted or interrupted during and by the progress of the work. When necessary, to change the location of gas pipes, electrical conduits or any other underground structures owned or controlled by corporations other than the Township, the change will be made by the owners and any additional cost will be borne by the Contractor. The Contractor shall give every facility for doing the work.

**PROTECTION AGAINST ACCIDENT**

The Contractor shall erect suitable barriers around the project to prevent accidents to passerby ' s, and shall place and maintain, during the night, sufficient lights on or near the work. The Contractor shall have charge of, and be responsible for the entire scope of the construction for which he has contracted until its' completion and acceptance.

**PROTECTION OF PROPERTY**

The Contractor shall, at his expense, shore up, protect and make good, as may be necessary, all buildings, walls, fences, or other property injured, or liable to be injured during the progress of the work and the Contractor will be held responsible for the entire scope of the construction for which he has contracted until its completion and acceptance.

**DRIVEWAYS**

The Contractor shall at all times be responsible for providing driveway access to all property owners on the construction site. He shall adequately cut down or fill up and compact driveways as directed by the Engineer. All costs for this work shall be included within the prices bid within the various items designated in the proposal.

**DUST CONTROL**

Should it be determined by the Engineer that job conditions warrant dust control measures, the Contractor shall apply calcium chloride, or use other reasonable methods designated by the Engineer in sufficient quantity and frequency to delete this nuisance throughout the course of construction.

All possible costs for dust control shall be included within the unit prices bid in the proposal. No extra payments will be made by the Township for this work.

**UNSPECIFIED CONSTRUCTION WORK**

In the event that it is determined by the Engineer that additional or unforeseen work, materials, or items not shown on the plans or specified in the contract specifications are deemed to be necessary for the successful completion of the project, the Engineer shall notify the Contractor of the necessity for said work, stipulating its character and extent.



Upon receipt of such notification, the Contractor shall notify the Engineer, in writing, of the fair compensation, for which he proposes to perform the required work and identify the time to complete the work. No work shall be performed unless it has been ordered in writing as such by the Engineer before the said work started. Upon receipt of written authorization from the Engineer, the Contractor shall complete the work at the agreed upon price and schedule.

Unspecified construction must comply with the requirements of the specifications and as directed by the Engineer.

Payment allowance shall include, but is not limited to material, labor, equipment, supplies, storage, removal, disposal, testing, restoration, and all tasks incidental thereto as is necessary to complete the work. No additional payment will be made for the Unspecified Construction Work.

**DIVISION 150**  
**SECTION 157**  
**CONSTRUCTION LAYOUT**

157.01        **DESCRIPTION**

This section describes the requirements for surveying and providing lines, grades, elevations, and reference marks as necessary to construct the elements of construction.

Perform a site investigation within the project limits to locate existing property markers and monuments. Protect property markers and monuments from disturbance and destruction. Notify the Township Engineer of the location of property markers and monuments that are in danger of being removed or disturbed.

157.04        **MEASUREMENT AND PAYMENT**

Payment for construction layout will be made in accordance with the specifications at the lump sum bid for the item construction layout in the bidding sheet. Fifty (50%) percent payment will be made upon initial construction layout and submittal of layout drawing, the remainder of the item will be paid on a pro-rated basis over the length of the project, less charges incurred for resetting of control points by the Engineer, if required.

**SECTION 158**  
**SOIL EROSION AND SEDIMENT CONTROL**

158.01        **Description**

This work consists of the construction and maintenance of various temporary soil erosion and sediment control measures, including relocating them as required for stage construction. All work shall be done in accordance with the current "Standard for Soil Erosion and Sediment Control in New Jersey", the plans and details and as set forth in the Soil Erosion and Sediment Control Permit filed with Freehold Soil Conservation District.

158.02        **Materials**

Inlet Protection

Inlet protection shall be as specified on the plans and details. Hay bales shall not be used.

Silt fence

Wood stakes, posts and boards shall be solid, reasonably knot-free lumber conforming to the nominal size specified on the plans and details.

Geo-textiles

Fibers used in the manufacture of geo-textiles and threads used in sewing geo-textiles shall be long-chain, polymeric filaments or yarns consisting of at least 85%, by weight, polyolefin's, polyesters or polyamides. The fibers shall be formed into a network such that the filaments or yarns retain dimensional stability relative to each other, including selvages.

Geo-textile rolls shall be furnished with wrapping and, prior to placement, shall be stored for protection against moisture and extended ultraviolet ray exposure. Each roll shall be labeled to provide product identification.

Stone Size

ASTM C-33 size #2 (1-1/2"-2-1/2") crushed stone. Crushed stone shall be uniform in texture and quality.

Mulch

Mulch shall be as specified on the plans and details.

Seed Mixtures

Seed mixtures shall be as specified on the plans and details.

158.03            **CONSTRUCTION**

Prior to all grubbing operations, soil erosion and sediment control measures shall be installed. When unstabilized areas caused by grading or other earth disturbing activities exist beyond 14 calendar days, the areas disturbed shall be seeded and mulched. These requirements pertain to perimeter controls, berms, dams, swales, ditches and slopes. Upon completion of the grading or construction, disturbed areas shall be permanently stabilized within 7 calendar days.

Stabilization shall be in accordance with Section 807.03.01 of the N.J.D.O.T. Standard Specifications, 2019, as amended.

When excavation or embankment construction reaches the finished sub-grade, those areas on which paving is to be placed are exempt from the above stabilization requirements. Roadways and haul roads actively being used for daily conveyance of equipment as well as areas between temporary berms, except median areas, are also exempt.

Streams shall be protected from soil erosion and sediment. Streams being diverted shall be protected through the use of silt fences. Temporary diversion channels shall be lined with geo-textile fabric and temporary riprap.

Soil being stockpiled shall be placed in well-drained areas no closer than 50 feet from streams, wetlands, floodplains and other watercourses, unless otherwise directed. The stockpiles shall be seeded and mulched in accordance with Sections 807.03.01 of the N.J.D.O.T. Standard Specifications, 2019, as amended.

Adequate temporary soil erosion and sediment controls shall be provided around the stockpiles until such time as vegetation is established on the piles.

Temporary soil erosion and sediment control measures shall be used to correct conditions that develop during construction that were not foreseen during design, and may include construction work outside of the project limits. These temporary measures will be paid for in accordance with Section 104 of the N.J.D.O.T. Standard Specifications, 2019, as amended.

In the event that temporary soil erosion and sediment control measures are required due to the Contractor's failure, for any reason, to install or maintain soil erosion and sediment controls, either as part of the work or as directed, such work shall be performed by the contractor at no cost to the Township.

If the Contractor is not in compliance with soil erosion and sediment control provisions, corrective actions shall be taken immediately. The Engineer may suspend the work, wholly or in part, in accordance with Subsection 108.13 of the N.J.D.O.T. Standard Specifications, 2019, as amended, until such time as the contractor is fully in compliance. All corrective and remedial work required to bring the contractor into compliance shall be performed at no cost to the Township.

Temporary soil erosion and sediment control measures shall be removed when necessary to allow for the installation of permanent control features or as permanent controls become functional. Before acceptance of the project, all items used for temporary soil erosion and sediment control shall be removed unless the Engineer directs that specific items remain in place.

**Soil Erosion and Sediment Control Manager**

The Contractor shall assign to the project a supervisory-level employee to serve in the capacity of soil erosion and sediment control manager. This employee shall be thoroughly experienced in all aspects of soil erosion and sediment control and construction. The Contractor shall submit the name and applicable experience of this employee to the Engineer for approval at least 10 working days prior to commencing any work on the project. Any change in the appointment of the soil erosion and sediment control manager during the term of the contract shall require a written submission and approval.

The soil erosion and sediment control manager shall have the primary responsibility and sufficient authority for implementing the approved soil erosion and sediment control schedules and methods of operations. The soil erosion and sediment control manager shall coordinate his operations with the engineer and shall oversee and supervise all aspects of soil erosion and sediment control on the project. This includes both on-site and off-site activities, including those involving subcontractors.

The soil erosion and sediment control manager will be required to attend all soil erosion and sediment control meetings held during the life of the project.

**Limitations of Operations**

Clearing and grubbing operations shall be so scheduled and performed that grading, and mulching, seeding and other permanent pollution control features can follow immediately thereafter according to the approved progress schedule. Should seasonal limitations make such coordination unrealistic, additional temporary soil erosion and sediment control measures shall be required between successive construction stages, as directed.

The amount of surface area of erodible earth material exposed at one time by clearing and grubbing, excavation, borrow or fill operations, without stabilization, shall not exceed 750,000 square feet for clearing and grubbing operations, or 750,000 square feet for grading operations without prior approval. The Engineer may increase or decrease these amounts commensurate with the contractor's capability and progress in keeping the construction current with the approved progress schedule.

**Silt Fence**

Silt fence shall consist of Geo-textile Fabric whose width shall be at least 3 feet to provide for a 2 foot high fence after 1 foot of fabric is buried in the existing soil. Sections of fabric shall be joined in such an overlapping manner, that when in operation, the sections work effectively as a continuous fence. Fence posts shall be installed at a slight angle toward the anticipated runoff source.

**Inlet Protection**

See plans and details.

**Stabilized Construction Entrance**

Stabilized construction entrance shall consist of Size #2 crushed stone, a minimum of 100' long x 30' wide x 1.0' thick. The driveway shall be maintained by top dressing with additional stone, as directed, and shall be removed when no longer required.

**Temporary Stockpile**

Temporary stockpile shall consist of silt fence around perimeter of stockpile. Stockpile shall not exceed 35' in height and a maximum slope of 3 to 1.

Maintain stockpile surface in accordance with temporary stabilization notes.

**Soil Erosion And Sediment Control Maintenance**

Soil erosion and sediment control measures shall be maintained during the construction season as well as during winter months and other times when the project is closed down, throughout the life of the project, to ensure that the measures function properly. Soil erosion and sediment controls shall be immediately inspected after each rain and any corrective work shall immediately be performed to return the soil erosion and sediment control measures to proper function, as directed. Silt fence or hay bales damaged due to washouts or siltation shall be replaced as directed.

Silt fences shall have sediment removed when the sediment reaches 50% of the height of the soil erosion and sediment control measure. Inlet protection shall have sediment removed after each storm event. Sediment removed shall be disposed of in accordance with Subsection 202.03.07 of the N.J.D.O.T. Standard Specifications, 2019, as amended.

158.04 **MEASUREMENT AND PAYMENT**

Payment for soil erosion and sediment control shall be on a lump sum basis, for completed work. Payment shall include all labor, equipment, supervision, the disposal of all materials and debris, the restoration of all damaged items, and all else necessary thereto.

**SECTION 159**  
**BREAKAWAY BARRICADES (If & where directed)**

159.01 **DESCRIPTION**

Under this item, the contractor shall provide, install and maintain suitable Type 3 Barricades in order to insure the safe passage of vehicular and pedestrian traffic throughout the project limits during the entire period. Items to be installed are shown on the plan and as listed below. **All traffic control measures shall conform to section 159 of the N.J.D.O.T Standard specifications for Road and Bridge Construction 2019, as amended.** All Maintenance and Protection of Traffic shall be coordinated with the Piscataway Township Police Department.

159.03.02                    **CONSTRUCTION**

Installation of all traffic control measures shall be in accordance with section 159 of the N.J.D.O.T. Standard Specifications, 2019, and also as shown on the construction detail sheet.

159.04                        **MEASUREMENT AND PAYMENT**

Payment for Barricades, Type 3 shall be on a per unit basis, installed at the price bid in the proposal and shall include all necessary labor, equipment and materials.

**SECTION 159**  
**DRUMS ( If & where directed )**

159.01                        **DESCRIPTION**

Under this item, the contractor shall provide, install and maintain suitable drums in order to insure the safe passage of vehicular and pedestrian traffic throughout the project limits during the entire period. Items to be installed are shown on the plan and as listed below. **All traffic control measures shall conform to section 159 of the N.J.D.O.T Standard specifications for Road and Bridge Construction 2019, as amended.**

All Maintenance and Protection of Traffic shall be coordinated with the Piscataway Township Police Department.

159.03.02                    **CONSTRUCTION**

Installation of all traffic control measures shall be in accordance with section 159 of the N.J.D.O.T. Standard Specifications, 2019, as amended, and as also shown on the construction detail sheet.

159.04                        **MEASUREMENT AND PAYMENT**

Payment for drums shall be on a per unit basis, installed at the price bid in the proposal and shall include all necessary labor, equipment and materials.

**SECTION 159**  
**TRAFFIC CONES (If & where directed)**

159.01                        **DESCRIPTION**

Under this item, the contractor shall provide, install and maintain suitable traffic cones in order to insure the safe passage of vehicular and pedestrian traffic throughout the project limits during the entire period. Items to be installed are shown on the plan and as listed below. **All traffic control measures shall conform to section 159 of the N.J.D.O.T Standard specifications for Road and Bridge Construction 2019, as amended.** All Maintenance and Protection of Traffic shall be coordinated with the Piscataway Township Police Department.

159.03.02                    **CONSTRUCTION**

Installation of all traffic control measures shall be in accordance with section 159 of the N.J.D.O.T. Standard Specifications, 2019, as amended, and as also shown on the construction detail sheet.

159.04                        **MEASUREMENT AND PAYMENT**

Payment for traffic cones shall be on a per unit basis, installed at the price bid in the proposal and shall include all necessary labor, equipment and materials.

**SECTION 159**  
**CONSTRUCTION SIGNS**

159.01                        **DESCRIPTION**

Under this item, the contractor shall provide, install and maintain suitable construction signs in order to insure the safe passage of vehicular and pedestrian traffic throughout the project limits during the entire period. Items to be installed are shown on the plan and as listed below. **All traffic control measures shall conform to section 159 of the N.J.D.O.T Standard specifications for Road and Bridge Construction 2019, as amended.**

All Maintenance and Protection of Traffic shall be coordinated with the Piscataway Township Police Department.

159.03.02                    **CONSTRUCTION**

Installation of all traffic control measures shall be in accordance with section 159 of the N.J.D.O.T. Standard Specifications, 2019, as amended, as also shown on the construction detail sheet.

159.04                        **MEASUREMENT AND PAYMENT**

Payment for construction signs shall be on a per square foot basis , installed at the price bid in the proposal and shall include all necessary labor, equipment, materials, excavation , backfill, hardware and posts.

**SECTION 159**  
**UNIFORM LAW ENFORCEMENT OFFICERS ( If & Where Directed )**

**DESCRIPTION**

This item shall include hiring uniformed law enforcement officers to work as traffic directors ( Section 159.03.08. )

159.04                        **MEASUREMENT AND PAYMENT**

Compensation shall be based upon actual time expended by Uniformed Law Enforcement Officers.

The contracting unit is not responsible for traffic control costs beyond the number of working days specified in the construction contract in accordance with section 17 of P.L. 1971, c.198 (C40A:11-17 ), when such a delay is caused by the contractor and liquidated damages have been assessed.

**SECTION 160**  
**PRICE ADJUSTMENTS**  
**FUEL PRICE ADJUSTMENT**

Section 160.01                    **DESCRIPTION**

This section describes the requirements for fuel price adjustments for fuel and asphalt usage. The calculations and usage must be followed as described in section 160.03.01



Monthly price adjustments will be made for fuel usage for items listed in Table 161.03.01-1. The fuel price adjustments will be calculated based on the monthly pay quantities of listed Items using the fuel usage factors listed in this table.

Price adjustments may result in an increased payment to the contractor for increases in the price index and may result in a reduction in payment for decreases in the price index.

The fuel price adjustment shall be calculated on a monthly basis using the following formula:

$$F = (MF - BF) \times G$$

- Where:
- F= Fuel Price Adjustment
  - MF= Monthly Fuel Price Index
  - BF= Basic Fuel Price Index
  - G= Gallons of fuel for Price Adjustment

**MEASUREMENT AND PAYMENT**

The basic fuel price index is the previous month’s fuel price index before receipt of bids. The D.O.T. will use the fuel price index for the month before the regular monthly estimate cut off date as the Monthly Fuel Price Index. If the Monthly Fuel Price Index increases by 50 percent or more over the Basic Fuel Price Index, do not perform any work involving Items listed in Table 161.03.01-1.

**SECTION 160**  
**ASPHALT PRICE ADJUSTMENT**

Section 160.03.02     **DESCRIPTION**

Permits price adjustments in local public contracts for asphalt according to enactment of P.L. 2009,c. 187 (A-436/S-2833)

Monthly price adjustments for asphalt binder usage shall be made. The asphalt price adjustments will be calculated based on the quantities of Items containing asphalt binder constructed during a given month.

Price adjustments may result in an increased payment to the contractor for increases in the price index and may result in a reduction in payment for decreases in the price index.

The Department will calculate the asphalt price adjustments by the following formula:

$$A = (MA - BA) \times T.$$

- Where:
- A=Asphalt Price Adjustment
  - MA=Monthly Asphalt price Index

BA=Basic Asphalt Price Index  
T=Tons of New Asphalt Binder

**MEASUREMENT AND PAYMENT**

Payment for Asphalt Price Adjustment shall be determined by the monthly asphalt price index, as determined by the N.J.D.O.T. will be the average of quotations from suppliers serving the area in which the project is located, and will be determined by the D.O.T. each month. The D.O.T will post the monthly asphalt price index every month on the department's web site:<http://www.state.nj.us.transportation/business/transport/PriceIndex.shtm>.

The basic asphalt price index is the asphalt price index for the month before the opening of the bids. The D.O.T. will use the asphalt price index for the month before the regular monthly estimate cut off date as the monthly asphalt price index.

If the monthly asphalt price index increases 50 percent or more over the basic asphalt price index, do not perform work on items containing asphalt binder without the approval of the Township Engineer.

**DIVISION 200**  
**SECTION 201**  
**CLEARING SITE AND RESTORATION**

Section 201.03.01     **DESCRIPTION**

Site clearing and restoration shall consist of the work of clearing the site of the project within the limits of disturbance shown on the plans. This item shall include but not be limited to the removal and/or resetting of mailboxes, resetting of sprinklers, removal and/or resetting fences, local street and road signs, and guide rails, relocating sprinkler systems, decorative landscape walls, decorative plantings and decorative boulders, plugging abandoned pipes using concrete, removing abandoned utilities pipe, inlets and manholes, removing sidewalks, driveways, curbs and gutters, and removing electrical material and equipment. Clearing and grubbing shall consist of removal of trees up to and including 6” caliper, shrubs, miscellaneous landscaping and all other items or obstacles necessary to the proper completion of the work, except as herein provided. (Section 201.03.01)

Before beginning excavation or embankment construction, clear the site within the limits of construction. Clear the ground surface of designated trees, (up to and including 6” diameter) bales, brush, shrubs, weeds, roots, matted leaves, small structures, debris and other objectionable material.

Trees, shrubs and other landscape features within the construction limits which do not interfere with the progress shall not be removed, but shall be protected during the progress of the work in a manner satisfactory to the Engineer. All remaining trees shall be pruned as necessary, and damaged areas painted, to remove branches from the roadway side of the curbing or sidewalk area, as directed by the Engineer.

Remove and reset residential and commercial mailboxes at locations acceptable to owners and according to United States Postal Service requirements.

Clearing Site shall also include the resetting or relocation of items to remain and any Work not actually listed in the Schedule of Items in the Proposal which is not otherwise provided in the Contract but which is required for the completion of the Work as described by the Drawings and the Contract Documents.

201.02                   **MATERIALS:**

Provide materials as specified and as noted in 201.02

201.03                   **CONSTRUCTION**

It is the intention of this Contract to perform the needed construction with the least possible detriment to the natural environment, and the Contractor shall use all reasonable care in his operations with motorized equipment. The Contractor shall repair all injury to bark, trunk, limbs, and roots of remaining trees using approved nursery methods and materials. Materials accumulated by clearing and grubbing, and all debris shall be disposed of by the Contractor at sites to be provided by

him outside the site of the project. In addition, any surplus materials from any excavation shall be disposed of at the expense of the Contractor, unless otherwise noted.

201.04                    **MEASUREMENT AND PAYMENT**

Payment for site clearing and restoration shall be a Lump Sum basis as given in the contract as noted in description and as authorized by the Engineer. Payment will not be made for site clearance and restoration beyond the construction limits shown on the plans and/or which has not been authorized within the construction limits.

Payment shall include all labor and equipment, the disposal of material and debris, the restoration of all damaged items and all else necessary therefore and incidental thereto. Payment shall be processed at the completion of the project, no partial payment will be allowed.

**SECTION 202**  
**EXCAVATION, TEST PIT, ( IF AND WHERE DIRECTED )**

202.01                    **DESCRIPTION**

See Section 202 of the N.J.D.O.T. Standard Specifications, 2019 as amended.

202.04                    **MEASUREMENT AND PAYMENT**

Payment for Excavation Unclassified for Test Pits (If & Where Directed) shall be on a per unit basis and shall include all necessary labor, equipment and materials as described in Section 202.03 of the N.J.D.O.T. Standard Specifications, 2019, as amended.

**SECTION 202**  
**EXCAVATION UNCLASSIFIED, AND**  
**EXCAVATION, REGULATED MATERIAL,**  
**( IF AND WHERE DIRECTED )**  
**AND DISPOSAL OF REGULATED MATERIAL**

202.01                    **DESCRIPTION**

The following is added to this Article of the Standard Specifications:

This item shall include the excavation of the roadway and within the project area as required, as shown on the plans and bid in the Proposal. All excavated material shall be removed from the project site as part of this item. None of the aforementioned material shall be used for any purpose, including backfill on this project.

Excavation shall be in accordance with section 202 of the N.J.D.O.T. Standard Specification, 2019, as amended.

Excavation, unclassified, shall also include removal of hot mix asphalt pavement overlay, hot mix asphalt pavement, and reinforced and non-reinforced concrete pavement.

Excavation, unclassified, shall also include removal of earth material for the construction of sidewalks, driveways and concrete aprons.

In addition, excavation, unclassified, shall include the sawcutting of the existing pavement. This shall be at a distance of one foot from the edge of the existing pavement that is to remain in place to form a proper bond between the new pavement and the existing pavement, or as directed by the Engineer.

Excavation, unclassified, shall also include, as required, the separation and temporary stockpiling of suitable earth materials from excavation and the rehandling of the stockpiled materials for the construction of the roadway embankments, subbase, base courses and backfill if and where directed by the Engineer.

Excavation, unclassified, shall also include removal of unsuitable material in cut sections disclosed of by proof rolling.

**UNAUTHORIZED EXCAVATION**

Special care will be taken with the final six inches of all excavations. In no case shall the excavation be carried below grade by machine and backfill used to establish the required grade. Where the excavation has been carried below grade through error or because of slides or cave-ins, the Contractor shall at his own expense restore such areas with 3/4 inch graded gravel or crushed stone or as directed by the Engineer. If the Contractor excavates below the required grade for structures, the overexcavation shall be filled with material subject to the requirements of the Engineer. The material may include 2000 psi concrete if so ordered by the Engineer.

202.03.03

**EXCAVATING UNCLASSIFIED MATERIAL**

Excavation operations may be conducted by milling or other standard methods acceptable to the Township Engineer. Should the successful bidder choose to excavate by bulldozer, grader, or other acceptable method, care must be taken not to disturb the sub-grade below those elevations shown or implied by the plans.

Any such disturbance shall be remedied in a manner acceptable to the Township Engineer at the contractor's expense. Should the successful bidder choose to mill, the following methods of construction must be adhered to;

A test strip shall be constructed within the proposed limits of milling prior to commencement of the milling operations. The test strip shall be used to determine the machine and drum speeds of operation which will produce the property surface texture and, when profiling is called for, to determine the cutting depth required to remove ruts and transverse corrugations.

The milling operation may begin when the above criteria have been established and approved. The machine shall be operated at the speeds and cutting depth determined during the test strip milling. Test strips shall be construction for each milling machine use. If the area to be milled is less than 2,500 square yards, a test strip is not required.

The milling operation, including removal of the milled material, shall be carried out in a manner that will prevent dust and other particulate matter from escaping into the air.

202.03.04

**EXCAVATING REGULATED MATERIAL**

Regulated material excavation consists of excavation and management of material of whatever nature encountered that is classified as regulated or hazardous in the NJDEP Solid Waste Regulations, N.J.A.C 7:26-1 *et seq.* or N.J.A.C 7:26-8.

Handle regulated material according to applicable Federal, State, and local laws, rules, and regulations; and as specified herein. Dispose of regulated material as specified in 202.03.08

1. **Pre-Excavation Plans.** If requested, the Contractor shall assist in the development or revisions of and shall comply with the following plans. If the Contractor fails to follow the pre-excavation plans, the Engineer and/or LSRP may suspend the Work.

- a. **Site-Specific Health and Safety Program (HASP).**

- Perform a hazard assessment of each proposed work task, and make independent evaluations regarding the appropriate level of health and safety requirements.

- Employ a Certified Industrial Hygienist (CIH) or Certified Safety Professional (CSP) to develop and oversee the Site-Specific HASP. The CIH/CSP shall prepare the Site-Specific HASP to protect the Contractor's employees, the subcontractor's employees, the Department's employees and consultants, and the public from contamination present in the areas requiring excavation as shown on the Plans. Ensure that the Site-Specific

HASP complies with Federal, State, and local laws, rules, and regulations, including the health and safety requirements of OSHA 29 CFR 1910 and 29 CFR 1926. Implement the Site-Specific HASP, as approved by the Engineer, at the beginning of construction operations.

Ensure that the CIH/CSP reviews site-specific data and addresses the proposed activities to the level of detail needed to ensure that site-specific data, appropriate regulations, and a description of the site conditions are incorporated into the Site-Specific HASP.

Describe workplace and emergency procedures so that the Project is constructed in a safe manner. The Site-Specific HASP shall govern all facets of the Project and encompass the activities of all persons who enter or work on the Project. Incorporate procedures that conform to Federal, State, and local laws, rules, and regulations pertaining to employee working conditions where appropriate, National Institute for Occupational Safety and Health, OSHA, USCG, EPA, and NJDEP.

Include requirements for a health and safety coordinator to monitor the working conditions during excavation procedures and during the handling of regulated material to ensure conformance with the approved Site-Specific HASP. The CIH/CSP shall evaluate the need for air monitoring during excavation and loading operations of regulated material. If deemed necessary, the CIH/CSP or an assigned coordinator, suitably trained and approved by the CIH/CSP for the work required, shall implement the air monitoring program. The CIH/CSP shall include in the Site-Specific HASP applicable training and qualifications documentation for each health and safety coordinator.

The Contractor shall provide initial and annual training and medical monitoring for Contractor employees scheduled to work in or with regulated material and, per the RE's request, up to 10 Department employees or their authorized representatives as specified in OSHA 29 CFR 1910. Provide the initial training for State employees or their authorized representatives 30 days before excavating.

- b. **Materials Handling Plan.** In coordination with the LSRP, develop a Materials Handling Plan (MHP) for regulated material encountered, moved, and disposed of or recycled during construction. The MHP includes the following:
1. Techniques to be used in managing regulated material to protect adjoining properties and workers and visitors to the Project Limits against exposure to regulated material and to prevent release of regulated material to the environment;
  2. Standard operating procedures for excavation, stockpiling, transporting, measurement, and disposal of regulated material;
  3. Current receiving facility certification and permits;
  4. Qualifications of the licensed hauler;

5. Proposed routes to receiving facilities and weighing facilities;
6. Waste characterization forms;
7. A sampling and analysis protocol for characterizing the regulated material for on-site reuse and off-site disposal. Include the name, address, and telephone number of the contact for the proposed environmental laboratory and the name and experience of the proposed environmental sampling technician. The proposed environmental laboratory and proposed environmental sampling technician are subject to the Engineer's review and approval;
8. Requirements of the receiving facility to accept the regulated material.

Implement the MHP, as approved by the Engineer, at the beginning of excavation. Perform planning, administrative, and control functions required to implement the MHP.

- c. **Pollution Prevention and Control Plan.** In coordination with the Engineer, develop a Pollution Prevention and Control (PPC) Plan describing the methods of preventing discharge of regulated stormwater, ground water, sediments, and free product during stormwater control, excavation, and dewatering operations. Prepare the PPC Plan according to Federal, State, and local laws, rules, and regulations relative to regulated discharges. Implement the approved PPC Plan before beginning excavation.

Detail methods, personnel, equipment, and reporting requirements on how to discharge regulated stormwater, groundwater, sediments, and free product during stormwater control, excavation, and dewatering operations into a dewatering basin, storm/sewer system, or other approved system. Specify methods and equipment for collecting, pumping, treating, monitoring, and disposing of liquids generated by stormwater control. Specify measures to prevent stormwater run-on and runoff and measures for dewatering of excavations, dewatering of sediments, decontaminating personnel and equipment, and storing fuels and chemicals. Include detailed water collection, treatment, monitoring, discharge activities, and reporting requirements. Provide daily construction reports to identify water collection, treatment, monitoring, and discharge activities; personnel and equipment; and relevant quantities. When dewatering in areas of petroleum contamination, provide an oil-water separator with the dewatering basin or sediment control tank as specified in 158.03.02.

2. **Excavating** Excavate regulated material as specified in Section 202.03.03, the NJDEP-approved RAW(s) and as directed by the Engineer.
3. **Temporarily Storing** If directed by the Engineer, temporarily store regulated or hazardous material in stockpiles within the Project Limits in a disposal area, designated by the Engineer. Stockpiles shall be constructed on polyethylene sheeting and contained with haybales or silt fence placed continuously at the perimeter of the stockpiles, unless otherwise directed by the Engineer. The Engineer may sample and analyze materials in-situ for disposal.



The materials may then be excavated and placed directly into trucks, and hauled directly to the approved disposal facility.

Cover stockpiles with polyethylene sheeting. Secure the cover in place at all times. Overlap joints in the polyethylene sheeting a minimum of 12 inches, and place securing materials along the joints. Maintain the cover, and replace damaged polyethylene sheeting as needed.

Clean equipment used for the movement of excavated material at the end of each working day or before removing it from the Project Limits. Install non-vegetative erosion control features to limit the movement of the excavated material from equipment cleaning areas. Temporarily store the excavated material from equipment cleaning in stockpiles.

If regulated material is not designated for reuse on-site, dispose of regulated material within 180 days of being stockpiled as specified in 202.03.08.

Do not reuse hazardous regulated material. Dispose of hazardous regulated material as specified in 202.03.09 within 90 days of being stored in stockpiles.

4. **Sampling and Analysis** Collect, transport, and analyze environmental samples required for facility acceptance of the material. Perform sampling, testing, and inspections conducted in areas containing regulated material according to the Site-Specific HASP. Perform sampling, testing, and data management procedures according to NJDEP Field Sampling Procedures Manual, NJDEP Technical Requirements for Site Remediation, NJDEP Management of Excavated Soils Guidelines, Appendix 1 of the NJDEP Waste Classification Form, and EPA requirements.

Do not sample or analyze any part of the Project Limits for purposes of re-delineating designations of excavation.

5. **Document Control** Provide the following items:

a. **Soil/Sediment Usage Tracking Log**

Complete a tracking log for each working day involving excavation, stockpile, transport, and disposal of regulated material. Monitor and record the following information on the tracking log:

1. Date
2. Location maps showing excavation and placement, including depth, of material
3. Type, volume, and characteristics of regulated material removed
4. Names and signatures of personnel responsible for preparing and executing the tracking log

Submit copies of daily tracking logs to the Engineer and LSRP on a weekly basis.

b. **Materials and Handling Reports**

Submit weekly reports to the Engineer and LSRP documenting the excavation, stockpiling, sampling, off-site management, and on-site placement of regulated material.

Indicate the location and dates of excavation, stockpiling, sampling, off-site management, and on-site placement of regulated material. Explain changes to or variations from the MHP. Additionally, include dates of planned excavation, sampling, and off-site management of regulated material for the coming months.

A final report documenting the management of regulated material shall be prepared by the LSRP. The Contractor shall make available to the Engineer and LSRP all records pertaining to such work.

c. **Sampling Logs and Analytical Reports**

Samplings Logs and Analytical Reports shall be submitted to the Engineer.

d. **PPC Logs**

PPC Logs shall be submitted by the Engineer.

202.03.07

**DISPOSAL OF REGULATED MATERIAL**

Dispose of excess APS at approved landfills according to applicable Federal, State, and local laws, rules, and regulations. For excavation not designated as regulated material or APS, provide the following before removing the excess excavation from the Project Limits:

1. At least 10 days before disposing, submit the disposal procedure and location to the Engineer for approval. Do not dispose of excavation on property proposed to be or used for parks, playgrounds, and other recreational purposes; educational facilities; environmentally sensitive areas such as wetlands; historic sites; or within sight of a State highway during all seasons.
2. Obtain the property owner's notarized authorization of the acceptance of the excess material and where it is being placed.

Once material leaves the Project Limits, having received authorization from the Engineer, the Contractor is responsible for ensuring that the handling procedures, placement method, and disposal location are according to applicable Federal, State, and local laws, rules, and requirements, including permits that may be issued for the Project. If the disposal of excess material results in a violation notice from any governmental authority, immediately correct the violation. Indemnify and defend the City for any violation incurred, penalty assessed, or any claims, suits, losses, demands or damages of whatever kind or nature arising out of, or claimed to arise out of, the improper disposal of excess materials.

If the Contractor does not correct the violation to the satisfaction of the governmental authority that issued the violation notice, the Contractor is responsible for assessed penalties including costs incurred by the City to remedy the violations.

Dispose of other material or debris as specified in [201.03.09](#).

202.04

**MEASUREMENT AND PAYMENT**

Payment for Excavation items shall be per cubic yard of material, regardless of method, at the price bid in the Proposal and shall include all necessary labor, materials, excavation and supplies, including removal and proper disposal of excavated material from the site.

Payment for the Disposal of Regulated Material shall be per Ton, at the price bid in the Proposal and shall include all necessary labor, materials, excavation and supplies, including removal and proper disposal of excavated material from the site.

No separate payment shall be made for Soil Sampling and Analysis of Regulated Material; the cost thereof shall be included in the unit prices for the Pay Items above.

**DIVISION 300**  
**SECTION 301**  
**SUBBASE AND BASE COURSES**

301.01                   **DESCRIPTION**

This item shall consist of 2-1/2" Stone Subbase (if and where directed), as shown on the plans and detail sheet and as directed by the Township Engineer.

301.02.01               **MATERIALS**

Materials shall conform to the soil aggregate designation in Subsection 901.11 of the N.J.D.O.T. Standard Specifications, 2019, as amended.

301.02.02               **EQUIPMENT**

Equipment shall include equipment that can spread aggregate, without segregation. The compaction equipment shall be pneumatic-tire or dynamic compactors conforming to subsection 301.02.02 of the N.J.D.O.T. Standard Specifications, 2019, as amended.

301.03                   **METHODS OF CONSTRUCTION**

Prior to placing subbase, the subgrade shall conform to subsection 301.03.01, of the N.J.D.O.T. Standard Specifications, 2019, as amended.

**Preparation of subgrade**

As directed by the Township Engineer, unsuitable subgrade shall be removed and replaced with subbase material in accordance with the N.J.D.O.T. Standard Specifications, 2019, as amended. Subbase material shall not be placed on soft, muddy, or frozen areas, or until all irregularities in the prepared areas, including soft areas in the foundation, have been corrected.

**Spreading and Compacting**

The subbase material shall be deposited on the prepared areas as uniformly as possible to avoid segregation. Subbase shall be constructed in layers not exceeding a compacted thickness of 6 inches. The subbase, if constructed in two or more layers, shall be of equal thickness, in accordance with the N.J.D.O.T. Standard Specifications, 2019, as amended.

**Protection of Existing Facilities**

If damage is caused to any utility, pipe, facility, building structure or its' contents, the method of operation shall be changed so as to avoid such damage. At such locations the subbase and subgrade shall be compacted by the density control method specified in Subsection 203.10 of the N.J.D.O.T. Standard Specifications, 2019, as amended.

**QUANTITY AND PAYMENT**

Payment shall be per cubic yard of 2-1/2” Stone Subbase at the price bid in the proposal and shall include all necessary labor, materials and supplies.

**SECTION 302**  
**AGGREGATE BASE COURSE, No. 57 ( IF AND WHERE DIRECTED )**

302.01                    **DESCRIPTION**

This item shall consist of Aggregate Base Course, No.57 (if and where directed), as shown on the plans and detail sheet and as directed by the Township Engineer.

302.02.02                **MATERIALS**

Materials shall conform to the soil aggregate designation in Subsection 901.11 of the N.J.D.O.T. Standard Specifications, 2019, as amended.

302.02.02                **EQUIPMENT**

Equipment shall include equipment that can spread aggregate, without segregation. The compaction equipment shall be pneumatic- tire or dynamic compactors conforming to subsection 302.02.02 of the N.J.D.O.T. Standard Specifications, 2019, as amended.

302.03                    **METHODS OF CONSTRUCTION**

Prior to placing base course material on the subgrade or subbase, the subbase shall conform to subsection 301.03.01, of the N.J.D.O.T. Standard Specifications, 2019, as amended.

**Preparation of subgrade**

As directed by the Township Engineer, unsuitable subgrade shall be removed and replaced with subbase material in accordance with the N.J.D.O.T. Standard Specifications, 2019, as amended. Subbase material shall not be placed on soft, muddy, or frozen areas, or until all irregularities in the prepared areas, including soft areas in the foundation, have been corrected.

**Spreading and Compacting**

The subbase material shall be deposited on the prepared areas as uniformly as possible to avoid segregation. Subbase shall be constructed in layers not exceeding a compacted thickness of 6 inches. The subbase, if constructed in two or more layers, shall be of equal thickness, in accordance with the N.J.D.O.T. Standard Specifications, 2019, as amended.

**Protection of Existing Facilities**

If damage is caused to any utility, pipe, facility, building structure or its’ contents, the method of operation shall be changed so as to avoid such damage. At such locations the

subbase and subgrade shall be compacted by the density control method specified in Subsection 203.10 of the N.J.D.O.T. Standard Specifications, 2019, as amended.

302.04                    **MEASUREMENT AND PAYMENT**

Payment shall be per square yard of Dense Graded Aggregate Base Course, 6” Thick, and per cubic yard for Dense Graded Aggregate Base Course, Variable Thickness at the price bid in the proposal and shall include all necessary labor, materials and supplies.

**SECTION 302**  
**DENSE GRADED AGGREGATE BASE COURSE, 6” THICK**  
**AND VARIABLE THICKNESS**

302.01                    **DESCRIPTION**

This item shall consist of Dense Graded Aggregate Base Course, 6” Thick and Variable Thickness, as shown on the plans and detail sheet and as directed by the Township Engineer.

302.02.02                **MATERIALS**

Materials shall conform to the dense graded aggregate designation in Subsection 901.10 of the N.J.D.O.T. Standard Specifications, 2019, as amended.

302.02.02                **EQUIPMENT**

Equipment shall include equipment that can spread aggregate, without segregation. The compaction equipment shall be pneumatic- tire or dynamic compactors conforming to subsection 302.02.02 of the N.J.D.O.T. Standard Specifications, 2019, as amended.

302.03                    **METHODS OF CONSTRUCTION**

Prior to placing base course material on the subgrade or subbase, the subbase shall conform to subsection 301.03.01, of the N.J.D.O.T. Standard Specifications, 2019, as amended.

**Preparation of subgrade**

As directed by the Township Engineer, unsuitable subgrade shall be removed and replaced with subbase material in accordance with the N.J.D.O.T. Standard Specifications, 2019, as amended. Subbase material shall not be placed on soft, muddy, or frozen areas, or until all irregularities in the prepared areas, including soft areas in the foundation, have been corrected.

**Spreading and Compacting**

The subbase material shall be deposited on the prepared areas as uniformly as possible to avoid segregation. Subbase shall be constructed in layers not exceeding a compacted

thickness of 6 inches. The subbase, if constructed in two or more layers, shall be of equal thickness, in accordance with the N.J.D.O.T. Standard Specifications, 2019, as amended.

**Protection of Existing Facilities**

If damage is caused to any utility, pipe, facility, building structure or its' contents, the method of operation shall be changed so as to avoid such damage. At such locations the subbase and subgrade shall be compacted by the density control method specified in Subsection 203.10 of the N.J.D.O.T. Standard Specifications, 2019, as amended.

**QUANTITY AND PAYMENT**

Payment shall be per square yard of Dense Graded Aggregate Base Course, 6" Thick, and per cubic yard for Dense Graded Aggregate Base Course, Variable Thickness at the price bid in the proposal and shall include all necessary labor, materials and supplies.

**DIVISION 400 – PAVEMENTS**  
**SECTION 401**  
**HMA MILLING , 3” OR LESS**

401.03                   **DESCRIPTION**

This item shall include the milling of and stockpiling of pavement as required, as shown on the plans and as bid in the proposal. None of the aforementioned millings shall be used for any purpose, including backfill on this project. HMA Milling shall be in accordance with N.J.D.O.T. Standard Specifications, 2019, section 401.03, as amended.

401.03.01               **CONSTRUCTION**

A test strip shall be constructed within the proposed limits of milling prior to commencement of the milling operations. The test strip shall be used to determine the machine and drum speeds of operation which will produce the proper surface texture and when profile milling is called for, to determine the cutting depth required to remove ruts and transverse corrugations.

The milling operation may begin when the above criteria have been established and approved. The machine shall be operated at the speeds and cutting depth determined during the test strip milling. Test strips shall be constructed for each milling machine used. If the area to be milled is less than 2”, 500 square yards, a test strip may not be required.

The milling operation, including removal of the milled material, shall be carried out in a manner that will prevent dust and other particulate matter from escaping into the air.

If the milled pavement is to be recycled, the milling equipment, where practical, shall be operated in such a manner as to produce milled material of which 95 percent will pass a 3 inch sieve.

If the milled material is to be recycled, the area of milling shall be cleared of all debris and power broomed to remove fine particles prior to milling. Before milling, earth berms shall be removed, as necessary, within the area to be milled to prevent soil and grass from contaminating the milled material. Disposal of earth and debris shall be in accordance with section for excavation.

Milling shall start at the low side of the cross section and progress toward the high side. Provisions shall be made for any removal of any water that may be trapped due to the milling operation, such as by lateral saw cuts into the shoulder area. In the event that all milled areas which are opened to traffic have not been milled to a flush surface by the end of the work day, the longitudinal edges of the edges of the milled area, exceeding 2 inches high, shall be sloped and a smooth transition shall be provided at the transverse edge.

Areas to be milled not accessible to the milling machine shall be removed by other equipment.



Bituminous concrete below the specified level of milling that becomes dislodged or delaminated shall be removed and replaced with bituminous concrete without additional compensation.

The surface of the milled area shall be swept clean using a mechanical sweeper prior to being opened to traffic and prior to the following construction or resurfacing stage.

The milled area that will be opened to traffic before resurfacing shall be free from gouges, continuous grooves, ridges and delaminated areas and shall have a uniformly textured appearance consisting of discontinuous longitudinal striations which shall not deviate more than 1 inch in 200 feet from lone parallel to the center of the traveled way and shall not exceed 3/8 inch depth and which shall provide a skid resistance not less than that of the original surface prior to milling and shall permit passage of traffic at the posted speed limit without vehicle operations experiencing impaired directional control.

The milling machine shall be a self-propelled planning, grinding or cutting machine with variable operating speeds , capable of removing bituminous concrete without the use of heat . The milling machine shall be equipped with automatic grade controls. The reference system may be either string line or ski type. Use of the automatic grade controls will be required except at intersections and other locations where it is not practical.

Teeth in the milling drum that become dislodged, broken or unevenly worn shall be replace immediately with teeth of the same length as the remaining teeth in that row.

401.04                    **MEASUREMENT AND PAYMENT**

Payment shall be per square yard of Millings, 3” or Less, at the price bid in the Proposal and shall include all necessary labor, materials and supplies, including excavation, removal and proper disposal from the site.

**SECTION 401**  
**POLYMERIZED JOINT ADHESIVE**

401.03.02                **DESCRIPTION**

This item shall include all necessary labor, materials and supplies, to install polymerized joint adhesive as shown on the plans and as directed by the Township Engineer.

401.03.02.1            **MATERIALS**

Polymerized joint adhesive shall conform to the subsection 401.02.01 of the N.J.D.O.T Standard Specifications, 2019, as amended.

401.03.02.2            **METHODS OF CONSTRUCTION**

Apply polymerized joint adhesive to the vertical surfaces of the openings. Backfill with HMA as specified for the roadway surface. Ensure that the temperature of the HMA

when placed is at least 250° F, and compact as specified in 401.03.03F. Compact areas not accessible to rollers with a vibratory drum. Compact until the top of the patch is flush with the adjacent pavement surface.

401.04                    **MEASUREMENT AND PAYMENT**

Payment shall be linear foot of polymerized joint adhesive installed at the price bid, and shall include all labor, materials and supplies.

**SECTION 401**  
**TACK COAT**

401.03.02                **DESCRIPTION**

This item shall include all necessary labor, materials and supplies, to install tack coat to the lines and grades as shown on the plans and as directed by the Township Engineer.

401.03.02.1            **MATERIALS**

Tack Coat, RC-70 shall conform to the subsection 401.03.02 of the N.J.D.O.T Standard Specifications, 2019, as amended.

401.03.02.2            **METHODS OF CONSTRUCTION**

Clean the surface where the HMA is to be placed of foreign and loose material. Immediately before beginning paving operations, ensure that the surface is dry. Do not place tack coat or prime coat unless the weather restrictions, as specified in 401.03.03, are met. Correct uncoated or lightly coated areas. Blot areas showing an excess of tack coat with sand or other similar material. Ensure that the material is not streaked or ribboned.

401.04                    **MEASUREMENT AND PAYMENT**

Payment shall be per gallon of tack coat at the price bid except for any provisions that permit a price adjustment for asphalt, fuel, labor or any other materials or supplies compacted in place in the proposal and shall include all labor, materials and supplies.

**SECTION 401**  
**HOT MIX ASPHALT SURFACE COURSE 9.5M64, 2” THICK**

401.01                    **DESCRIPTION**

This item shall include all necessary labor, materials and supplies to install Hot Mix Asphalt Surface Course 9.5M64, 2” thick to the lines and grades shown on the plans and as directed by the Township Engineer.

401.02

**MATERIALS**

Hot Mix Asphalt Surface Course 9.5M64, 2” Thick, surface course, shall comply with the requirements of the N.J.D.O.T. Standard Specifications for Road and Construction - 2019, as amended.

401.03

**METHODS OF CONSTRUCTION**

Hot Mix Asphalt surface course 9.5M64, 2” Thick, shall be installed in one 2” lift as shown on the plans. The lift shall be thoroughly rolled and compacted. A “tack coat” shall be installed before placement of the material, as directed by the Township Engineer.

Do not place HMA if it is precipitating. Do not allow trucks to leave the plant when precipitation is imminent. The contractor may resume operations when the precipitation has stopped and the surface is free from water.

When placing HMA, ensure that the base temperature meets the minimum temperature requirements specified in table 401.03.03-1.

**Table 401.03.03-1 Minimum Base Temperatures**

<b>Lift Thickness, inches (t)</b>	<b>Minimum Base Temperature, °F</b>
t >= 1	50
1 < t < 2	41
t >= 2	32

401.04                    **QUANTITY AND PAYMENT**

Payment shall be per ton of Hot Mix Asphalt surface course 9.5M64, material, 2” thick, except for any provisions that permit a price adjustment for asphalt, fuel, labor or any other materials or supplies, compacted in place, at the price bid in the Proposal and shall include all necessary labor , materials and supplies.

**SECTION 401**  
**HOT MIX ASPHALT BASE COURSE 19M64, 5” THICK**

401.01                    **DESCRIPTION**

This item shall include all necessary labor, materials and supplies to install Hot Mix Asphalt Base Course 19M64, 5” thick to the lines and grades shown on the plans and as directed by the Township Engineer.

401.02                    **MATERIALS**

Hot Mix Asphalt Base Course 19M64, 5” Thick, shall comply with the requirements of the N.J.D.O.T. Standard Specifications for Road and Construction - 2019, as amended.

401.03                    **METHODS OF CONSTRUCTION**

Hot Mix Asphalt base course 19M64, 5” Thick, shall be installed in one 5” lift as shown on the plans. The lift shall be thoroughly rolled and compacted. A “tack coat” shall be installed before placement of the material, as directed by the Township Engineer.

Do not place HMA if it is precipitating. Do not allow trucks to leave the plant when precipitation is imminent. The contractor may resume operations when the precipitation has stopped and the surface is free from water.

When placing HMA, ensure that the base temperature meets the minimum temperature requirements specified in table 401.03.03-1.

**Table 401.03.03-1 Minimum Base Temperatures**

<b>Lift Thickness, inches (t)</b>	<b>Minimum Base Temperature, °F</b>
t >= 1	50
1 < t < 2	41
t >= 2	32

401.04

**QUANTITY AND PAYMENT**

Payment shall be per ton of Hot Mix Asphalt base course material 19M64, 5” thick, except for any provisions that permit a price adjustment for asphalt, fuel, labor or any other materials or supplies compacted in place, at the price bid in the Proposal and shall include all necessary labor, materials and supplies.

**DIVISION 500**  
**SECTION 513**  
**RETAINING WALL**

513.01                   **DESCRIPTION**

This item shall be for the construction of retaining walls and pipe rails atop retaining walls, as shown on the plans and details, and as directed by the Township. Also to include the excavation, reinforcement, backfilling, and compaction of the area excavated for the walls.

513.02                   **MATERIALS**

Provide all materials including but not limited to Coarse Aggregate, Soil Aggregate, Concrete, Mortar, Reinforcement Steel, Joint Sealers, and Geotextiles in accordance with applicable NJDOT Standard Specifications Section 513.02.01.

513.03                   **CONSTRUCTION**

Prior to beginning the work, submit working drawings signed and sealed by a Professional Engineer licensed in the State of New Jersey for approval in accordance with the detail provided in the plans. All work shall be conducted in accordance with the manufacturer's and designer's recommendations, as approved by the Engineer.

After the subgrade has been established to the appropriate lines and grades, it shall be mechanically compacted and inspected by the Landscape Architect or his representative. No walls shall be installed until the subgrade has been approved. All excess materials will be disposed of at the expense of the contractor.

513.04                   **MEASUREMENT AND PAYMENT**

Payment shall be per square foot of retaining wall installed, as measured in place on the side of the wall with greater distance from finished grade to the top of the wall, at the price bid in the proposal, and shall include all necessary labor, materials, supplies, necessary excavation, backfilling, and required shop drawings associated with the retaining wall and the pipe rail. No additional payment will be made for pipe rail to be installed along the top of retaining walls. No additional payment will be made for the shop drawings and specifications signed and sealed by a Professional Engineer.

**DIVISION 600**  
**SECTION 601**

**UNDERDRAIN, 8” ADS PERFORATED PIPE ( IF AND WHERE DIRECTED )**

601.01                   **DESCRIPTION**

This item shall include all necessary labor, materials and supplies to install 8” ADS perforated pipe to the lines and grades as shown on the plans. Excavation and backfilling shall be included in the price bid.

601.02                   **MATERIALS**

Where shown on the plan, perforated pipe shall be in accordance with Article of the N.J.D.O.T. Standard Specifications, 2019 as amended, except for any provisions that permit a price adjustment for asphalt, fuel, labor or any other materials or supplies, and the State Aid Supplemental Specifications included. Pipe shall be supplied in the size bid on the proposal.

601.03.03               **CONSTRUCTION**

Pipe shall be bedded on 3/4” clean stone. No pipe shall be backfilled until inspected by the Engineer or his authorized representative. Pipe laying shall conform to Article 602.04 of the N.J.D.O.T. Standard Specifications, 2019, as amended and the State Aid Supplemental Specifications included.

Backfilling shall be compacted to 95% density at optimum moisture content. Backfill shall be mechanically compacted in 1’ lifts.

Excavation shall be “Unclassified Excavation “as defined in Article 108 of the N.J.D.O.T. Standard Specifications, 2019, as amended, except for any provisions that permit a price adjustment for asphalt, fuel, labor or any other materials or supplies, and the State Aid Supplemental Specifications included.

Surplus materials shall be disposed of at the expense of the contractor.

601.04                   **MEASUREMENT AND PAYMENT**

Payment for ductile iron, reinforced concrete pipe and elliptical reinforced concrete pipe shall be per linear foot for the various types and sizes described above, installed at the price bid in the Proposal and shall include all excavation, materials, backfilling, compaction and labor.

Payment for reinforced concrete end sections shall be per unit, installed at the price bid in the Proposal and shall include all excavation, materials, backfilling, compaction and labor.

**SECTION 602**

**MANHOLE, RESET USING EXISTING CASTING**

602.01                   **DESCRIPTION**

This item shall include all necessary labor, excavation, backfill, materials, and supplies to reset manholes, using existing castings to the new grades of the roadway.

602.02                    **MATERIALS**

All materials shall be in accordance with the N.J.D.O.T. Standard Specifications, 2019, as amended.

602.03                    **METHODS OF CONSTRUCTION**

Manholes are to be constructed to the extent to conform to the plans. Block removed for installation may not be used again, unless approved by the Engineer.

602.04                    **QUANTITY AND PAYMENT**

Payment for resetting manholes shall be per unit, constructed in place, and shall include all excavation, labor, materials, castings, supplies, backfilling and compaction as directed by the Engineer at the price bid in the Proposal.

**SECTION 602**  
**RECONSTRUCT INLET , TYPE “B”, USING EXISTING CASTING AND**  
**RECONSTRUCT INLET, TYPE “E”, USING EXISTING CASTING AND**  
**BICYCLE SAFE GRATE, AND**  
**CURB PIECE, TYPE “N”**

602.01                    **DESCRIPTION**

This item shall include all necessary labor, materials, disposal, and supplies to reconstruct standard inlets type “B”, and type “E” as required by the Engineer for the addition and / or extensions necessary. All new inlet grates shall be bicycle safe grates and all new curb pieces shall be type “N”, and existing grate or curb piece shall be put aside and safely returned to the Piscataway Public Works yard on 505 Sidney Road. All new inlet frames shall be Campbell Foundry, Type “N” or Approved Equal.

602.02                    **MATERIALS**

Materials shall be as shown on the detail sheet and in accordance with N.J.D.O.T Standard Specifications, 2019, as amended.



602.03                    **CONSTRUCTION**

Inlets are to be constructed to the extent to conform to the plans. Block removed for installation may not be used again, unless approved by the Engineer.

602.04                    **MEASUREMENT AND PAYMENT**

Payment for reconstructed inlets, Type “B”, and Type “E”, bicycle safe grates, and curb pieces, shall be per unit, constructed in place, and shall include all excavation, labor, materials, bicycle safe grates, castings, supplies, backfilling, and compaction as directed by the Engineer at the price bid in the Proposal.

**SECTION 602**  
**8” POLYVINYL CHLORIDE (PVC) PIPE**

601.01                    **DESCRIPTION**

This item shall include all necessary labor, materials and supplies to install 8” pvc pipe to the lines and grades as shown on the plans. Excavation and backfilling shall be included in the price bid.

601.02                    **MATERIALS**

Where shown on the plan, pvc pipe shall be in accordance with Article of the N.J.D.O.T. Standard Specifications, 2019 as amended, except for any provisions that permit a price adjustment for asphalt, fuel, labor or any other materials or supplies, and the State Aid Supplemental Specifications included. Pipe shall be supplied in the sizes bid on the various items of the proposal.

601.03.03                **CONSTRUCTION**

Pipe shall be bedded on 3/4” clean stone. No pipe shall be backfilled until inspected by the Engineer or his authorized representative. Pipe laying shall conform to Article 602.04 of the N.J.D.O.T. Standard Specifications, 2019, as amended and the State Aid Supplemental Specifications included.

Backfilling shall be compacted to 95% density at optimum moisture content. Backfill shall be mechanically compacted in 1’ lifts.

Excavation shall be “Unclassified Excavation “as defined in Article 108 of the N.J.D.O.T. Standard Specifications, 2019, as amended, except for any provisions that permit a price adjustment for asphalt, fuel, labor or any other materials or supplies, and the State Aid Supplemental Specifications included.

Surplus materials shall be disposed of at the expense of the contractor.

602.04                    **MEASUREMENT AND PAYMENT**

Payment for pvc pipe shall be per linear foot for the various types and sizes described above, installed at the price bid in the Proposal and shall include all excavation, materials, backfilling, compaction and labor.

Payment for pvc pipe end sections shall be per unit, installed at the price bid in the Proposal and shall include all excavation, materials, backfilling, compaction and labor.

**SECTION 606**  
**CONCRETE SIDEWALK , 4” THICK**

606.01                    **DESCRIPTION**

This item shall be for the construction of concrete sidewalk 4” thick, as shown on the plans and as directed by the Engineer. Included in this item shall be the construction of any sidewalk required for the installation of ADA compliant handicap ramps, as shown in the details. Details shown on the plans which indicate various types of handicap ramps are illustrative only. Each ramp shall be constructed in the field to comply with all ADA requirements with as little disturbance as possible.

All handicap ramp areas shall be constructed in accordance with the general notes included on the detail sheets. Also to include disposal of material, excavation, backfilling and compaction of the area.

606.02.01                **MATERIALS**

Concrete sidewalk shall be constructed of Portland Cement Concrete and shall attain a maximum compressive strength of 4500 p.s.i. at 28 days and shall be air entrained.

Expansion joint material shall be premolded bituminous material as specified in the N.J.D.O.T. Standard Specifications, 2019, as amended. Materials must also include concrete sealer.

606.03                    **METHODS OF CONSTRUCTION**

Before pouring, the sub grade shall be mechanically compacted and approved by the Township Engineer. No concrete sidewalk shall be installed until the sub grade has been approved. All concrete sidewalk shall be formed to the dimensions shown on the detail sheet at the grades and line shown on the plan. After pouring, all exposed surfaces shall be wood floated, receiving a broom finish, the joints and edges shall be tooled and rounded. Expansion joints shall be at 10 foot intervals and left open, except at 32’ intervals where the joints shall be filled with 3/8” premolded bituminous joint filler. Construction (false) joints shall be placed at 4’ intervals.

Limitations of placing shall be as specified in Subsection 504.03.02.C. Do not place concrete when precipitation is imminent or when the ambient temperature is below 40 °F or above 75 °F without following the appropriate temperature condition procedure as outlined in the N.J.D.O.T. Standard Specifications, 2019, as amended.

For additional protection against scaling from freeze-thaw and deicing materials, the concrete must be protected with a commercially available silane or siloxane-based breathable concrete sealer or water repellent specifically designed for concrete slabs such as Silox-Seal manufactured by Amteco, Inc. located at 1841 F Marietta Blvd., Atlanta, GA, 30318, telephone number 800-297-7325 or approved equal. The manufacturer's recommendations must be followed for application procedures and frequency. Prior to use of the sealer, the contractor must provide technical information on the product to be used for approval by the Engineer.

606.04                    **QUANTITY AND PAYMENT**

Payment shall be per square yard of concrete sidewalk, 4" thick, including handicap ramp areas, as measured in place at the price bid in the Proposal and shall include all necessary labor, materials, supplies, backfilling. No additional payment will be made for concrete sealer.

**SECTION 606**  
**CONCRETE SIDEWALK / DRIVEWAY / APRON, REINFORCED, 6" THICK**

606.01                    **DESCRIPTION**

This item shall be for the construction of concrete driveway reinforced 6" thick, as shown on the plans and as directed by the Engineer.

606.02.01                **MATERIALS**

Concrete driveway shall be constructed of Portland Cement Concrete and shall attain a maximum compressive strength of 4500 p.s.i. at 28 days and shall be air entrained.

Expansion joint material shall be premolded bituminous material as specified in the N.J.D.O.T. Standard Specifications, 2019, as amended. Materials must also include concrete sealer.

606.03                    **METHODS OF CONSTRUCTION**

Before pouring, the sub grade shall be mechanically compacted and approved by the Township Engineer. No concrete driveway shall be installed until the sub grade has been approved. All concrete sidewalk shall be formed to the dimensions shown on the detail sheet at the grades and line shown on the plan. After pouring, all exposed surfaces shall be wood floated, receiving a broom finish, the joints and edges shall be tooled and rounded. Expansion joints shall be at 10 foot intervals and left open, except at 32' intervals where the joints shall be filled with 3/8" premolded bituminous joint filler. Construction (false) joints shall be placed at 4' intervals.

Limitations of placing shall be as specified in Subsection 504.03.02.C. Do not place concrete when precipitation is imminent or when the ambient temperature is below 40 °F or above 75 °F without following the appropriate temperature condition procedure as outlined in the N.J.D.O.T. Standard Specifications, 2019, as amended.

For additional protection against scaling from freeze-thaw and deicing materials, the concrete must be protected with a commercially available silane or siloxane-based breathable concrete sealer or water repellent specifically designed for concrete slabs such as Silox-Seal manufactured by Amteco, Inc. located at 1841 F Marietta Blvd., Atlanta, GA, 30318, telephone number 800-297-7325 or approved equal. The manufacturer's recommendations must be followed for application procedures and frequency. Prior to use of the sealer, the contractor must provide technical information on the product to be used for approval by the Director.

606.04                    **QUANTITY AND PAYMENT**

Payment shall be per square yard of concrete driveway, 6" thick, including handicap ramp areas, as measured in place at the price bid in the Proposal and shall include all necessary labor, materials, supplies, backfilling. No additional payment will be made for concrete sealer.

**SECTION 606**  
**HOT MIX ASPHALT MULTI-USE PATH, 4" THICK**

606.01                    **DESCRIPTION**

This item shall consist of the construction of bituminous multi-use path, 4" thick, as shown on the plans and where directed by the Engineer. Also to include disposal of material, D.G.A. Aggregate base course, and compaction of the area excavated.

606.02                    **MATERIALS**

Materials shall conform to the N.J.D.O.T. Standard Specifications, 2019, as amended.

**CONSTRUCTION**

All bituminous driveways shall be saw cut where directed by the Engineer. Subgrade material shall be firmly compacted with the minimum ten-ton roller prior to placement of D.G.A. Base Course.

606.04                    **MEASUREMENT AND PAYMENT**

Payment shall be per square yard of hot mix asphalt driveway 4" thick, at the price bid in the Proposal, and shall include all necessary labor, materials, supplies, and any necessary backfilling.

**SECTION 606**  
**HOT MIX ASPHALT DRIVEWAY , 4” THICK**

606.01           **DESCRIPTION**

This item shall consist of the construction and / or repair of all bituminous driveways 4” thick, as shown on the plans and where directed by the Engineer. Also to include disposal of material, backfilling and compaction of the area excavated.

606.02           **MATERIALS**

Materials shall conform to the N.J.D.O.T. Standard Specifications, 2019, as amended.

**CONSTRUCTION**

All bituminous driveways shall be saw cut where directed by the Engineer. Subgrade material shall be firmly compacted with the minimum ten-ton roller.

606.04           **MEASUREMENT AND PAYMENT**

Payment shall be per square yard of hot mix asphalt driveway 4” thick, at the price bid in the Proposal, and shall include all necessary labor, materials, supplies, and any necessary backfilling.

**SECTION 606**  
**DETECTABLE WARNING SURFACE,**

606.01           **DESCRIPTION**

This item shall be for the installation of cast in place detectable warning surfaces, as shown on the plans and as directed by the Engineer. All construction shall be in compliance with the “Americans With Disabilities Act” (ADA). Also to include disposal of any material, backfilling, excavation, grading and compaction of areas excavated or filled for the sidewalk.

606.03.03       **CONSTRUCTION**

After the subgrade has been established to the appropriate lines and grades, it shall be mechanically compacted and inspected by the Engineer. No concrete shall be installed until the subgrade has been approved. All excess materials will be disposed of at the expense of the Contractor.

Submit copies of manufacturer’s specified installation and maintenance practices for each type of Detectable Warning Surface and accessory as required.

During Cast in place detectable / Tactile Warning Surface Tile installation procedures, ensure adequate safety guidelines are in place and that they are in accordance with the applicable industry and Government standards.

Installation procedures and finishing operations must be installed and followed according to manufacturer's directions to ensure proper preparation of base, to set tile, prevent splashing of concrete onto finished surface and avoid air voids.

The concrete shall be poured and finished true and smooth to the required dimensions and slope prior to the tile placement. Immediately after finishing concrete, the electronic level should be used to check that the required slope is achieved. The tile shall be placed true and square to the curb edge in accordance with the contract drawings.

The cast in place Detectable Warning Surface Tiles shall be tamped (or vibrated) into the fresh concrete to ensure that the field level of the tile is flush to the adjacent concrete surface.

The embedment process should not be accomplished by stepping on the tile as this may cause uneven setting which can result in air voids under the tile surface. The contract drawings indicate that the tile field level (base of truncated dome) is flush to adjacent surfaces to permit proper water drainage and eliminate tripping hazards between adjacent finishes.

Color of Tiles to be Brick Red,( federal color No. 22144 ) or Colonial Red ( federal color No. 37875 ) or acceptable equal color in like.

Vitrified Polymer Composite ( VPC ) cast in place Detectable Warning Surface Tiles shall be an epoxy polymer composition with an ultra violet stabilized coating employing aluminum oxide particles in the truncated domes. The tile shall incorporate an in-line pattern of truncated domes measuring nominal 0.2" height, 0.9" base diameter, and 0.45" top diameter, spaced center to center 2.35" as measured on a diagonal and 1.67" as measured side by side. For wheelchair safety the field area shall consist of a non-slip surface with a minimum of 40-90° raised points 0.045" high, per square inch; " Armor-Tile" as manufactured by England Plastics Inc. Tel-800-682-2525, or approved equal.

Provide surface Applied Detectable Warning Surface tiles which comply with the detectable warnings on walking surfaces sections of the Americans with Disabilities Act. The Contractor shall provide an Engineer's Certification Letter certifying the detectable warning surfaces meets ADA compliance.

606.04

### **MEASUREMENT AND PAYMENT**

Payment shall be per square yard of installation of detectable/tactile warning surfaces, as measured in place at the price bid in the Proposal and shall include all necessary labor, materials, supplies and all necessary excavation, grading and backfilling and complete removal & disposal from the site of existing concrete. In addition, payment shall be paid upon contractor submission of certification letter for detectable warning surfaces.

**SECTION 607**  
**9 x 18 CONCRETE VERTICAL CURB**

607.01           **DESCRIPTION**

This item shall be for the construction of concrete curb, as shown on the plans, and where directed by the Engineer or his representative, in accordance with the Detail Sheet.

607.02           **MATERIALS**

Portland cement concrete shall attain a maximum compressive strength of 4500 p.s.i. at 28 days and shall be air entrained.

607.03           **CONSTRUCTION**

Before pouring, the sub grade shall be mechanically compacted and approved by the Township Engineer. The granite blocks shall be set in the freshly poured concrete base, and when set, shall be properly backed, raked, and pointed. Method of construction shall be in accordance with the N.J.D.O.T. Standard Specifications, 2007, as amended except for any provisions that permit a price adjustment for asphalt, fuel, labor or any other materials or supplies, and the State Aid Supplemental Specifications included.

Limitations of placing shall be as specified in Subsection 504.03.02.C. Do not place concrete when precipitation is imminent or when the ambient temperature is below 40 °F or above 75 °F without following the appropriate temperature condition procedure as outlined in the N.J.D.O.T. Standard Specifications, 2007, as amended.

When constructing depressed curb at curb ramps, the full curb depth of 18” shall be maintained, the curb shall be constructed flush with the roadway and a 4” wide concrete cradle shall be constructed as shown on the corresponding detail.

607.04           **MEASUREMENT AND PAYMENT**

Payment shall be per linear foot of construction of concrete curb, as measured in place at the price bid in the Proposal and shall include all necessary labor, materials, supplies, excavation and backfilling.

**SECTION 610**  
**TRAFFIC MARKING LINES, 4", 6", 8", 24", AND**  
**TRAFFIC MARKING SYMBOLS**

610.01                   **DESCRIPTION**

This work consists of applying traffic marking lines of various widths, of the length and color required, and traffic marking symbols, to bituminous concrete or Portland cement concrete surfaces.

610.02.01               **MATERIALS**

Materials shall conform to the following subsections of the N.J.D.O.T. Standard Specifications, 2019, as amended.

Traffic Markings.....912.03.02

610.02.02               **EQUIPMENT**

Equipment for applying traffic stripes or traffic markings, of the various materials, shall be so designed, equipped, maintained and operated that the traffic stripes or traffic markings are applied according to the specifications and the manufacturer's recommendations. Glass bead dispensers shall be of a type that will mechanically and automatically dispense beads uniformly on wet stripes or markings at the rates specified. Equipment for removing the various types of traffic stripes or traffic markings shall be designed with a vacuum system to remove all millings from the pavement surface and prevent airborne residue from escaping into the atmosphere.

610.03.01               **TRAFFIC STRIPES**

610.03.01.A           **Striping Plan**

Furnish for approval, 20 calendar days prior to placement, a complete schedule of operations for applying pavement markings, including the number and types of equipment, and procedures for the project as specified in subsection 610.03.01 .

Furnish the manufacturers written instructions for proper use of the material, including but not limited to, mixing ratios and application procedures.

Arrange for and have each long life material manufacturer's representative on the site for the first full day of applying either long life traffic stripes or traffic markings in order to provide technical assistance.

Furnish a Mirolux-12 retro-electrometer for the engineer's use in determining the retro-reflectance values of the various traffic stripes or traffic markings.



610.03.01.B            **Surface Preparation**

Remove, immediately prior to striping or marking the pavement surface, all dirt, oil, grease, existing types of traffic stripes or traffic markings, and other foreign material, including curing compound on new Portland cement concrete, from the surface areas on which the various traffic stripes or traffic markings are to be placed. Clean the pavement 2 inches beyond the perimeter of where the stripe or marking is to be placed.

610.03.01.C            **Striping Test Strip**

Before starting long life thermoplastic traffic striping operations, construct one or more test strips. Construct each test strip to consist of approximately 500 linear feet of pavement with white and yellow striping (lane and edge lines) similar to that required for the project.

Demonstrate with the test strips the capability of the proposed thermoplastic material, equipment and procedures to produce long life thermoplastic traffic stripes that comply with the specifications, including dimensions, appearance (stripes with uniform color and crisp, well defined edges), wet film thickness, drying time, and glass beads application and retention.

A test strip will be required for each applicator unit used. Additional test strips may be required when major equipment repairs or adjustments are made or when the thermoplastic traffic stripes fail to comply with the specifications. Permission to proceed with the striping operations will be given when the test strips are in compliance. Each test strip may remain in place and become part of the finished stripes at the direction of the Engineer.

610.03.01.D            **Applying Striping**

Place striping on thoroughly dry surfaces and during dry weather conditions. Apply using equipment and procedures that produce markings of the specified color and width with well-defined edges and proper bonding to the pavement.

(A) Preformed Thermoplastic.

Place preformed thermoplastic traffic marking tape on thoroughly dry surfaces and during dry weather. Melt the preformed thermoplastic using the flame from a propane type torch, according to the manufacturer's recommendations, to bond the traffic markings permanently in position. If required, apply additional glass beads to the hot-wet material, in a uniform pattern, to attain the minimum initial retro-reflectance value specified in Subsection 610.03.01 for thermoplastic.

(B) Extruded Thermoplastic.

Heat the thermoplastic material uniformly and apply the melted material at a temperature between 400 and 425 degrees F, to thoroughly dry surfaces and during dry weather, when the ambient and surface temperatures are a minimum of 50 degrees F. Extrude the thermoplastic traffic stripes or markings on the bituminous concrete surface in a thickness of 90 mils.

Immediately after, or in conjunction with the thermoplastic application, apply glass beads to the wet material in a uniform pattern and at a minimum rate of 10 pounds per 100 square feet of markings.

610.03.01.F      **Defective Work**

Replace all types of long life traffic stripes determined to be in nonconformance with the specifications, or not placed at the locations or in the dimensions specified as determined by the Engineer. Remove the defective stripes or markings according to Subsection 610.03.08.

610.03.01.G      **Opening to Traffic**

Complete each application of traffic markings and allow to thoroughly dry before opening to traffic. The Engineer will determine when the traveled way can be opened to traffic.

610.04            **MEASUREMENT AND PAYMENT**

Payment for traffic marking lines, of the various widths, thermoplastic, of the length and color required, shall be on a per linear foot basis, installed, at the prices bid in the Proposal and shall include all materials and labor. Gaps are not counted. Payment for Traffic Marking Symbols of the color and style required, shall be on a per square foot basis, installed, at the prices bid in the Proposal and shall include all materials and labor.

**SECTION 612**  
**REGULATORY AND WARNING SIGNS**

612.01            **DESCRIPTION**

Under this item, the contractor shall provide and install signs, with soil anchor plates and breakaway steel “U” post sign supports in order to insure the safe passage of vehicular and pedestrian traffic throughout the project limits during the entire period.

Items to be installed are shown on the plan and as listed below. **All traffic control measures shall conform to section 612 of the N.J.D.O.T Standard specifications for Road and Bridge Construction 2019, as amended.**

610.02.01        **MATERIALS**

Materials shall conform to the following subsections of the N.J.D.O.T. Standard Specifications, 2019, as amended.

612.03            **CONSTRUCTION**

Installation of all signs shall be in accordance with section 612 of the N.J.D.O.T. Standard Specifications, 2019, as amended, and as also shown on the construction detail sheet.

612.04                    **MEASUREMENT AND PAYMENT**

Payment for regulatory and warning signs shall be on a per square foot basis, installed at the price bid in the proposal and shall include all necessary labor, equipment, materials, excavation, backfill, hardware and posts.

**SECTION 612**  
**RESET SIGNS**

612.01                    **DESCRIPTION**

Under this item, the contractor shall reinstall signs, with soil anchor plates in order to insure the safe passage of vehicular and pedestrian traffic throughout the project limits during the entire period.

Items to be installed are shown on the plan and as listed below. **All traffic control measures shall conform to section 612 of the N.J.D.O.T Standard specifications for Road and Bridge Construction 2019, as amended.**

612.03                    **CONSTRUCTION**

Reinstallation of all signs shall be in accordance with section 612 of the N.J.D.O.T. Standard Specifications, 2019, as amended, and as also shown on the construction detail sheet.

If a sign to be reset is damaged by the Contractor during the execution of the work, the Contractor shall replace the sign, post, fittings, hardware and post required for proper installation at no additional cost.

612.04                    **MEASUREMENT AND PAYMENT**

Payment for reinstallation of all signs with soil anchor plates shall be on a per unit basis, installed at the price bid in the proposal and shall include all necessary labor, equipment, materials, excavation, backfill, hardware and posts.

**SECTION 652**  
**RESET MANHOLE, SANITARY SEWER, USING NEW CASTING**

652.01                    **DESCRIPTION**

This item shall include all necessary labor, materials, and supplies to adjust manhole castings to the new grades of the roadway.

652.02                    **MATERIALS**

All materials shall be in accordance with the N.J.D.O.T. Standard Specifications, 2019, as amended except for any provisions that permit a price adjustment for asphalt, fuel, labor or any other materials or supplies.

652.03                    **METHODS OF CONSTRUCTION**

Manhole castings shall be adjusted to conform to the proposed grades of the new roadway, shall be mortared in place and the disturbed area shall be covered with a minimum ¼ inch thick asphaltic base waterproofing material.

652.04                    **QUANTITY AND PAYMENT**

Payment shall be per manhole casting unit reset to grade at the price bid in the Proposal and shall include all necessary labor, materials and supplies.

**SECTION 652**  
**SANITARY SEWER SERVICE CONNECTION**

652.01                    **DESCRIPTION**

This item shall include all necessary labor, materials, and supplies to reconstruct sanitary sewer service connections within the right of way, complete and in place.

652.02                    **MATERIALS**

All materials shall be in accordance with the N.J.D.O.T. Standard Specifications, 2019, as amended.

652.03                    **METHODS OF CONSTRUCTION**

Sanitary Sewer Service Connections shall be constructed (if and where directed) to eliminate conflict between existing house connections and the proposed work.

652.04                    **QUANTITY AND PAYMENT**

Payment shall be per sanitary sewer service connection at the price bid in the Proposal and shall include all necessary labor, materials and supplies.

**DIVISION 800**  
**SECTION 802**  
**TREE REMOVAL, OVER 4" TO 12" DIAMETER**

802.10                   **DESCRIPTION**

This item shall include all necessary labor, materials, supplies, excavation, disposal, backfill and the complete removal of trees and stumps, as shown on the plans, and as directed by the engineer. Tree removal shall consist of the work of clearing the site of the project within the limits shown on the plans. This item shall include but not be limited to the removal of trees and stumps, and all other items or obstacles necessary to the proper completion of the work, except as herein provided.

The site of the project shall be cleared within the limits of construction. Said limits shall be considered maximum limits and the Contractor shall clear only those minimum areas within construction limits as may be necessary to properly perform the project.

The ground surface shall be cleared of all trees, stumps, roots, brush, branches, debris and other unsuitable matter.

Trees, shrubs and other landscape features within the construction limits which do not interfere with the progress shall not be removed, but shall be protected during the progress of the work in a manner satisfactory to the Engineer. All remaining trees shall be pruned as necessary, damaged areas painted, and remove existing branches from the roadway side of the curbing or sidewalk area, as directed by the Engineer.

802.03.02               **CONSTRUCTION**

It is the intention of this Contract to perform the needed construction with the least possible detriment to the natural environment, and the Contractor shall use all reasonable care in his operations with motorized equipment. The Contractor shall repair all injury to bark, trunk, limbs, and roots of remaining trees using approved nursery methods and materials. Materials accumulated by tree removal and all debris shall be disposed of by the Contractor at sites to be provided by him outside the site of the project. In addition, any surplus materials from any excavation shall be disposed of at the expense of the Contractor, unless otherwise noted. Trees to be removed are designated on the plans.

If necessary, trees shall be felled in sections to prevent damage to adjacent vegetation, structures, utility wires and property. Stumps shall be completely removed and the stump holes backfilled with a suitable topsoil. Any damage to other existing trees, vegetation, structures, utility wires and other property shall be repaired by the Contractor at no cost to the township. All branches, limbs, trunks, stumps, and other debris shall be completely disposed of and removed by the Contractor. Grass areas damaged during tree removal shall be repaired.

802.04                   **MEASUREMENT AND PAYMENT**

Payment for tree removal shall be per unit of each caliper size of tree removed (Over 4” up to and including 12” Diameter). Each diameter category shall be roughly measured at a 4-1/2’ above ground level.

Payment will not be made for tree removal beyond the construction limits shown on the plans and/or which has not been authorized within the construction limits. Payment shall include all labor and equipment, the disposal of material and debris, the restoration of all damaged items and all else necessary therefore and incidental thereto. Payment shall be processed at the completion of the project, no partial payment will be allowed.

**SECTIONS 804, 806 and 809**  
**TOPSOILING, 4” THICK, FERTILIZING & SEEDING, & MULCHING**

804.01, 806.01, 809.01 **DESCRIPTION**

This item shall include all topsoil, seed, fertilizing and mulching to restore disturbed lawn areas where shown on the plans and as directed by the Township Engineer.

804.02, 806.02, 809.02 **MATERIALS**

Fertilizer-10-20-15 Commercial designation

<u>SEED MIXTURE</u>	<u>% OF TOTAL WEIGHT</u>
Kentucky Blue Grass	20
Red Fescues	35
Kentucky 31	20
Perennial Rye Grass	10
Red Top	10
White Clover	5

Topsoil for planting shall be furnished by the contractor. Topsoil shall be a natural fertile agricultural soil capable of sustaining vigorous plant growth. It shall not be excessively acid or alkaline nor contain toxic substance, which may be harmful to plant growth. It shall be of uniform composition throughout without a mix of subsoil; shall be free of stone, clay, lumps, wood, concrete, plants or their roots and similar substances. It shall contain not less than 6% organic matter and shall have a soil reaction range of ph 5.0 to 7.0. Samples may be taken by the Township, from the delivered topsoil and tested for compliance to specifications. Topsoil, which does not meet the specifications, will be required to be removed from the job site immediately.

The contractor shall provide straw mulching.

804.03, 806.03, 809.03 **CONSTRUCTION**

All work of top soiling, fertilizing, seeding and mulching shall include the installation of topsoil, shaping, dressing, and preparation of all designated land areas to the lines and grades shown on the

plans and the planting of seed thereon and all authorized construction under this contract and within the construction limits shown on the plans.

All seed mixtures, fertilizers, and other materials shall be applied with seeding equipment approved by the Township and in accordance with good nursery practices.

Topsoil necessary for the completion of this item shall be furnished at the contractor's expense. At the time designated by the Township, the disturbed land areas shall be fine graded and shaped to the grades and lines shown on the plans using the topsoil necessary, to a depth of at least 4". All said areas shall be raked to remove large stones and debris and shall be fertilized, seeded and mulched according to the following application rates:

- a. Fertilizer 20 lbs. per 100 S.Y.
- b. Seed 5 lbs. per 100 S.Y.
- c. Lime 50 lbs. per 100 S.Y.
- d. Mulch 100 lbs. per 100 S.Y.

The contractor shall at all times insure that all disturbed areas will be kept to a minimum.

All seeding shall be in accordance with good nursery practice and shall be performed by a competent nurseryman acceptable to the Township. Mulch shall be straw, applied so as to cover the soil completely and secured with an approved tackifier.

The contractor shall guarantee a dense growth of grass for a period of one year.

804.04, 806.04, 809.04 **MEASUREMENT AND PAYMENT**

The quantity of top soiling, fertilizing, seeding and mulch for which payment will be made will be the surface area on the plans and as authorized and measured, in square yards, by the Township Engineer.

Payment for top soiling, fertilizing, seeding and mulch shall be per square yard and shall include all dressing, shaping, raking, fertilizing, seeding and mulching, all materials and labor and equipment, the repair of all eroded areas and all else necessary therefore and incidental thereto.

**SECTION 811**  
**LANDSCAPING**

811.01 **DESCRIPTION**

A. The extent of tree and shrub plantings will be as per the specifications, in various locations throughout the road right-of-way. Exact locations for the plantings will be provided by the Township Landscape Architect prior to this work starting.

B. Work Included: The work of this Section includes providing and installing or performing all work and equipment, complete as indicated on the drawings or as specified herein, or both, necessary for completion of planting. **The Contractor shall provide all topsoil**, and it shall be

tested, and if necessary, shall be made to conform to the pH and acidity range and percentage of organic matter as specified herein.

C. The Contractor shall be liable for any damages to property caused by planting operations and shall, at his own expense, restore all disturbed or damaged areas to their original condition.

D. Plant materials shall be free of damage as the result of handling and transportation.

E. Balls of trees shall be in one solid piece properly shaped and shall be at least as large as the ball size recommended by the American Association of Nurserymen.

811.02 **MATERIALS**

A. Quality: Provide trees, shrubs, and other plants of quantity, size, genus, species, and variety shown and scheduled for landscape work and complying with recommendations and requirements of ANSI Z60.1 “American Standard for Nursery Stock”.

B. All plants shall be freshly dug and neither heeled-in plants nor plants from cold storage will be accepted. Balled and burlapped plants shall come from soil which will hold a firm ball.

C. Deciduous Trees: Provide trees of height and caliper scheduled or shown and with branching configuration recommended by ANSI Z60.1 for type and species required. Provide single stem trees except where special forms are shown or listed.

D. Deciduous Shrubs: Provide shrubs of the height shown or listed and with not less than minimum number of canes required by ANSI Z60.1 for type and height of shrub required.

E. Coniferous and Broadleaf Evergreens: Provide evergreens of sizes shown or listed. Dimensions indicate minimum spread for spreading and semi-spreading type evergreens and height for other types, such as globe, dwarf, cone, pyramidal, broad upright, and columnar. Provide normal quality evergreens with well-balanced form complying with requirements for other size relationships to the primary dimension shown.

F. Ground Cover: Provide plants established and well rooted in removable containers or integral peat pots with not less than minimum number and length of runners required by ANSI Z60.1 for the pot size shown or listed.

G. Container Grown Plants: Container grown plants may be supplied in lieu of balled and burlapped plants if all other specified requirements are met. These plants shall have been grown in the container for a minimum of one full growing season and a maximum of two years and when delivered, shall have sufficient root growth to hold earth intact when removed from container. They shall not be root bound. Remove container in a way to prevent damage to plant or root system.



H. Topsoil shall be a natural fertile agricultural soil capable of sustaining vigorous plant growth. It shall not be excessively acid or alkaline nor contain toxic substance which may be harmful to plant growth. It shall be of uniform composition throughout without a mixture of subsoil; shall be free of stones, clay, lumps, wood, concrete, plants, or their roots and similar substances. It shall contain not less than 6% organic matter and shall have a soil reaction range of pH 5.0 to 6.8 . Analysis of topsoil will be required as specified in Article S-29.3

1. Topsoil which does not meet the specifications will be required to be removed from the job site immediately.

A. The topsoil mixture materials shall be thoroughly mixed by hand or rotary mixer to the satisfaction of the Landscape Architect.

B. Deciduous Plants: Topsoil mixture for backfilling planted areas shall consist of four parts by volume of topsoil thoroughly mixed with 1 part of cow manure, or stable manure, and 5 pounds of bone meal per cubic yard.

C. Evergreen Plants: Topsoil mixture for backfilling planted areas shall consist of three parts by volume of topsoil thoroughly mixed with 1 part of peat moss or humus.

I. Peat Humus: FS Q-P-166 decomposed peat with no identifiable fibers and with ph range suitable for intended use.

J. Double Shredded Root Mulch: Shall have no leaves, young green growth, wood shavings, sawdust, or foreign materials of any nature mixed with the mulch. Samples shall be submitted to the Landscape Architect for approval before purchase or delivery.

K. Pre-Emergent Weed Killer: Shall be treflan or approved equal and applied as per manufacturer's specifications by a Contractor licensed in the application of chemicals.

L. Commercial Fertilizer: Time released packets shall be a complete fertilizer, part of the elements of which are derived from organic sources. It shall be delivered to the site in the original unopened packages each bearing the manufacturer's guaranteed analysis and installation instructions.

M. For lawns, provide fertilizer with percentage of nitrogen required to provide not less than 1 lb. of actual nitrogen per 1000 sq. ft. of lawn area and not less than 4% phosphoric acid and 2% potassium. Provide nitrogen in a form that will be available to lawn during initial period of growth; at least 50% of nitrogen to be organic form.

N. Anti-Desiccant Spray: Shall be an emulsion which provides a protective film over plant surfaces, permeable enough to permit transpiration. The Anti-desiccant shall be delivered in manufacturer's containers and shall be mixed according to manufacturer's directions.

O. Water: Shall be furnished by the Contractor until the maintenance phase and will be suitable for irrigation and free from ingredients harmful to plant life. Hose and other watering equipment shall be furnished by the Contractor.

P. Guying, Staking, and Wrapping Materials

1. Wire for tree guys shall be 3/16" - 1 x 7 Stainless black steel left lay strand Type 304 cable as manufactured by U.S. Steel or approved equal. Chainlock will also be acceptable for tree guys.
  2. Turnbuckles shall be galvanized and 4-1/2" lengthwise openings, threaded ends, 5/16" diameter, filled with screw eyes.
  3. Hose shall be new black two-ply, reinforced, fibre-bearing garden hose not less than 1/2 inch inside diameter.
  4. Wrapping for tree trunks shall be of burlap, first quality, at least 8 ounces in weight and 6 inches in width. Burlap is to be wrapped spirally to the first branch with a 50% overlap.
  5. Stakes for vertical staking shall be white cedar milled 2 inches diameter.
  6. Stakes for guying trees 3 inch caliper or less, shall be of 2"x2"x72", one end pointed, creosoted wood.
  7. Stone shall be 2"-3" Delaware River Stone.
- Q. Root Barrier: Root Barriers shall be "Deep Root Street Barriers" or approved equal. Depth of root barrier shall be 12" along sidewalks and 18" along curbing.

811.03

**CONSTRUCTION**

811.03.01

**Planting**

A. Standards

"Standardized Plant Names," 1942 Edition American Joint Committee of Horticultural Nomenclature.

ANSI Z60.1 - 1986 "American Standard for Nursery Stock" by American Association of Nurserymen.

Plant material shall have a habit of growth that is normal for the species and that equals or exceeds the measurements specified in the plant list, which are the minimum acceptable sizes. Provide trees, shrubs and plants of quantity, size, genus, species and variety shown and scheduled for landscape work and complying with recommendations and requirements of ANSI Z60.1 "American Standard for Nursery Stock". Provide healthy, vigorous stock, grown in recognized nursery in accordance with good horticultural practice and free of disease, insects, eggs, larvae and defects such as Knots, sun-scald, injuries, abrasions or disfigurement.

They shall be measured before pruning with branches in normal position. Any necessary pruning shall be done at the time of planting under direction of the Landscape Architect. Requirements for measurements, branching, grading, quality, balling and bur lapping of plants in the plant list shall follow the code of standard currently recommended by the American Association of Nurserymen, Inc., the American Standard for Nursery Stock.

Plants that meet the requirements specified, but do not have the normal balance of height and spread typical for the respective plant, shall not be accepted.

B. Inspections and Selection of Plant Material

1. The plant material shall be located by the Contractor from sources within the local area. At the direction of the Landscape Architect, the Contractor shall proceed as follows:

When all plant material has been selected by the Contractor, the Landscape Architect will make his inspection upon 72 hours notice. The Contractor shall have located sufficient alternative choices to prevent loss of time in the event that some plant fails to meet with the approval of the Landscape Architect.

The Contractor or a member of his firm shall be present when the Landscape Architect inspects the plant material at the nursery.

Trees selected should be well matched as to height, spread, and general conformation. All trees must be approved and tagged by the Landscape Architect in the field before digging. Trees delivered without tags will be rejected.

Label each tree and shrub with securely attached waterproof tag bearing legible designation of botanical and common name.

2. Substitution: Substitutions will be permitted only upon submission of proof that any plant is not obtainable and written authorization by the Landscape Architect for the use of the nearest equivalent obtainable; size and variety of the plant having the same essential characteristics with an equitable adjustment of contract price. Should the Landscape Architect deem it appropriate and substitute plant material other than that specified, it shall be accomplished as long as the price of the substituted item does not exceed the bid item being replaced.

3. Plant material is to be delivered to the site in quantities and at dates established in consultation with the Landscape Architect in order that the Landscape Architect shall have a minimum of a full day's work in supervising placement of material.

C. Delivery, Storage, and Handling

1. Balled and Burlapped Plants: Plants designated "B & B" in the plant list shall be balled and burlapped. They shall be dug with firm natural balls of earth of sufficient diameter and depth to encompass the fibrous and feeding root system necessary for full recovery of the plant. Balls shall be firmly wrapped with burlap of similar materials and bound with twine, or wire mesh. All collected plants shall be balled and burlapped. Do not bend or bind-tie trees or shrubs in such a manner as to damage bark, break branches, or destroy the natural shape. Provide protective covering during delivery.

2. Container Grown Plants: Plants grown in containers will be accepted as "B & B" providing that the plant has been growing in the container for one full growing season prior to delivery. Do not remove container grown stock from containers until planting time.

3. Protection After Delivery: Plants which cannot be planted immediately on delivery to the site shall be covered with moist soil, mulch, or other protection from the drying of wind and sun. All plants shall be watered as necessary until planted.

D. Protection: Trees moved by winch or crane shall be thoroughly protected from chain marks, girdling, or bark slippage by means of burlap, wood battens, or other approved method.

E. Root Barriers: Root barriers shall be installed in accordance with the manufacturer's recommendations.

### **SUBMITTALS**

A. Certified analysis of a recognized laboratory shall be submitted for topsoil; analysis shall be made to determine compliance with requirements for topsoil as hereinafter specified under Topsoil section. The costs of the tests shall be borne by the Contractor. Reports of the tests shall be submitted to the Landscape Architect in writing.

B. Furnish in duplicate copies of invoices for all fertilizer used on the project.

C. Planting Schedule: Submit proposed planting schedule, indicating dates for each type of landscape work during normal seasons for such work in area of site. Revised dates only as approved in writing, after documentation of reasons for delays.

### **PLANTING PLAN**

#### **A. Planting Operations**

1. The Landscape Architect shall be notified 75 hours in advance of the delivery of any plant material to the site. Delivery slips covering all plant material transported to the site shall be furnished to the Landscape Architect.

2. Following the signing of the Contract and prior to the commencement of planting, the Contractor shall contact the Landscape Architect to work out a schedule of planting dates.

3. Plant pits shall not be pre-dug. The location of plants, as shown on the drawings is intended only as a guide. Plants shall be delivered to the site and set on the ground in the location shown. The Landscape Architect shall then determine the specific location of each plant.

B. Prior to any digging, the Contractor shall ascertain the location of all utilities in the areas including tanks or other subsurface encumbrances within the contract limit line. Precautions must be taken not to disturb or damage these items. In the event of a conflict with planting, the Contractor shall notify the Landscape Architect.

#### **C. Preparation of Planting Soils**

1. Before mixing, clean topsoil of roots, plants, sods, stones, clay lumps, and other extraneous materials harmful or toxic to plant growth.



6. Fill excavations for trees and shrubs with water and allow to percolate out before planting.

811.03.G

**Setting Plants**

A. Planting Trees and Shrubs

1. Set balled and burlapped (B&B) stock on layer

of compacted planting soil mixture, plumb and in center of pit or trench with top of ball at same elevation as adjacent finished landscape grades. Remove burlap from top third of balls. When set, place additional backfill around base and sides of ball, and work each layer to settle backfill and eliminate voids and air pockets. When excavation is approximately 2/3-full, water thoroughly before placing remainder of backfill. Repeat watering until no more is absorbed. Water again after placing final layer of backfill.

2. Set bare root stock on cushion of planting soil mixture. Spread roots and carefully work backfill around roots by hand and puddle with water until backfill layers are completely saturated. Plumb before backfilling and maintain plumb while working backfill around roots and placing layers of soil mixture above roots. Set collar 1" below adjacent finish landscape grades. Spread out roots without tangling or turning up to surface. Cut injured roots clean; do not break.

3. Set container grown stock as specified for balled burlapped stock, except cut cans on 2 sides with an approved can cutter; remove bottoms of wooden boxes after partial backfilling so as not to damage root balls.

B. To the topsoil used in the backfilling of tree holes and shrub beds, there shall be added, as the progress of work permits, manure or peat moss as herein before specified, ground limestone if soil tests indicates it is needed and commercial fertilizer at the rate of three (3) pounds for trees up to 3 inch caliper, one (1) pound per 1 inch caliper for larger trees. The manure, peat, limestone and fertilizer shall be incorporated thoroughly with the topsoil, care being taken that the manure does not come into immediate contact with the roots.

C. Dish top of backfill to allow for mulching.

D. Prior to top-dressing, all planted areas shall be treated with pre-emergent weed killer.

E. Mulch pits, trenches, and planted areas. Provide not less than following thickness of mulch and work into top of backfill and finish level with adjacent finish grades.

1. Provide 4" thickness of Root Mulch at trees.

2. Provide 3" thickness of Root Mulch at shrubs and ground covers.

F. For ground cover planting, space plants as shown on schedule; dig holes large enough to allow for spreading of roots, apply fertilizer at a rate of one (1) pound per twenty (20)

square feet, backfill with planting soil. Work soil around roots to eliminate air pockets and leave a slight saucer indentation around plant to hold water. Water after planting and mulch as specified.

G. Pruning shall be carefully done in accordance with each plant species requirement and/or as directed by the Landscape Architect. Pruning shall not exceed 1/3 of last season’s growth, and care shall be exercised to preserve the natural appearance of the plant material. Any pruning of branches of 1 inch diameter or more, shall be treated with an approved tree paint. If deciduous trees or shrubs are moved in full leaf, spray with anti-desiccant at nursery before moving and again 2 weeks after planting.

H. All trees and shrubs shall be sprayed with anti-desiccant material immediately after pruning.

I. After pruning, all trees and shrubs shall be sprayed with insecticide and fungicide.

J. Wrap tree trunks of 2 inch caliper and larger. Start at ground and cover trunk to height of first branches and securely attach. Inspect tree trunks for injury, improper pruning, and insect infestation and take corrective measures before wrapping.

K. As indicated in the Drawings, trees shall be guyed immediately after planting. Pieces of rubber hose shall be used under the wires where they are attached to the trees. Wrapping material shall be wound spirally from the ground line of the trunk to the first branch with 50% overlap. The wrapping shall be tied at not less than five places including the bottom, middle, and top. The wrapping shall be done as soon as practicable after planting, but not before the conditions of the trunks of the trees has been inspected and approved by the Landscape Architect.

811.03.02 **Plant Establishment Period**

A. Begin maintenance immediately after planting.

B. Maintain trees, shrubs, and other plants until expiration of maintenance bond period, but in no case less than following period:

- 1. 1 year after completion of planting.

C. Maintain trees, shrubs, and other plants by pruning, cultivating, and weeding as required for healthy growth. Restore planting saucers. Tighten and repair stake and guy supports and reset trees and shrubs to proper grades or vertical position as required. Restore or replace damaged wrappings. Spray as required to keep trees and shrubs free of insects and disease.

D. Maintenance to be performed by the Contractor shall include watering of plant material at least once monthly from June 15th to September 15th, cultivation, weeding, seasonal spraying, pruning of plant material, and adjusting of stakes, guys, and wrapping, repairs of minor washouts and gullies, and other horticultural operations necessary for the proper growth of all plants.

811.04 **MEASUREMENT AND PAYMENT**

Payment for the Landscaping shall be on a Lump Sum basis, at the price bid in the proposal for each unit, and shall include all necessary labor, materials, machinery, supplies, and all else necessary therefore and incidental thereto presenting upon completion of the project the landscaping, in accordance with plans, schedules, details, and specifications.



**DIVISION 900**  
**SECTION 919**  
**MISCELLANEOUS**  
**(IF & WHERE DIRECTED)**

919.01

**GEOTEXTILES**

This item shall consist of geogrid and geotextile (if and where directed), as shown on the plans and detail sheet and as directed by the Township Engineer. Geotextiles shall conform to the requirements in Table 919.01-1 of the N.J.D.O.T. Standard Specifications, 2019, as amended.

**Bid No: 2022-03-08**

**THE TOWNSHIP OF PISCATAWAY**



**APPENDIX**

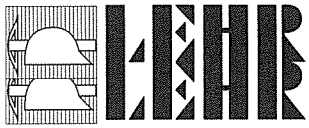
Pages 1-23



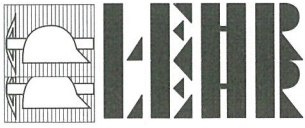
**MARIA E. VALENTE-CAEMMERER**

---

Purchasing Agent/Township Secretary



GEOTECHNICAL INVESTIGATION  
ETHEL ROAD ROADWAY IMPROVEMENTS  
STELTON ROAD TO THE MUNICIPAL BORDER  
PISCATAWAY, NEW JERSEY



**FRANK H. LEHR ASSOCIATES**  
A NJ Corporation – Certificate of Authorization No. 24GA27950400  
CONSULTING CIVIL ENGINEERS

January 10, 2022

Grotto Engineering Associates, LLC  
340 North Avenue East  
Cranford, NJ 07016

ATT: Frank Farrell, PE, CME

RE: Our Project No. 9475  
Ethel Road Roadway Improvements  
Stelton Road to The Municipal Border  
Piscataway, New Jersey

Ladies and Gentlemen:

In accordance with our agreement, we have conducted a program of 4 standard soil borings for the Ethel Road Roadway Improvements project in Piscataway, New Jersey.

A detailed soil analysis, which is based upon the results of the test holes, field observations, laboratory tests and published soils and geological data, has been prepared for this location.

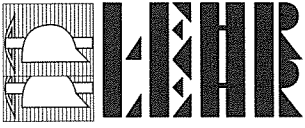
Attached is a report of this investigation.

Very truly yours,

FRANK H. LEHR ASSOCIATES

Michael J. Sullivan  
Professional Engineer  
NJ License No. GE 33070

/maf



## OBJECT

The object of this report is to describe the results of an analysis of 4 soil borings taken at the site of the proposed Ethel Road Roadway Improvements from Stelton Road to the Municipal Border in Piscataway, New Jersey.

This analysis, which is based on the field reconnaissance, the subsurface exploration program, and an engineering study to determine the various subsoil properties, serves as the basis for the recommendations concerning roadway improvement design and construction.

## DATA

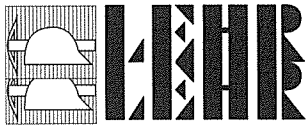
Four borings were made to depths of 3.5 to 8.5 feet at selected locations free of underground utilities spaced approximately equally throughout the project. These borings, as conducted by Environmental Technical Drilling, Inc., were made in a standard manner with standard equipment and methods. The size of the borings, type of sampling device, weight of hammer, and height of hammer fall are noted on the boring logs.

Included with this report are logs of the test holes and a location sketch. Surface elevations and approximate locations of the test hole locations are shown on the attached logs. Surface elevations at the test hole locations are based on topographic data provided by others.

Four samples from the borings were tested in our laboratory to determine grain size distribution. Results of these tests are included with this report.

The following plans were provided to us for use in this analysis.

1. Ethel Road Roadway Improvements, Stelton Road to The Municipal Border, 25 sheets, by Grotto Engineering Associates, LLC, revised 11/16/20.



### DESCRIPTION OF SITE AND PROJECT

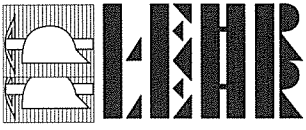
The project starts near the intersection with Stelton Road and continues east to the municipal border, just past the intersection of Justice Street, in Piscataway, New Jersey. It is our understanding that the roadway improvements will consist of approximately 0 to 3 inches milling of the old asphalt pavement for a length of approximately 1,852 lf and repaving with hot mix asphalt approximately 2 inches thick. This will cover a total area of approximately 7,861 sy. Additionally, at some locations concrete curbs, sidewalks and driveways would be removed and reconstructed. cursory observations of the pavement noted deterioration at many of the longitudinal and transverse joints as well as patches.

### PUBLISHED SOILS DATA

Published soils and geological data indicate that this site lies within a soil area containing shale bedrock of the Triassic Age with minor occurrences of interbedded sandstone identified on the Geologic Map of New Jersey as the Passaic Formation. The residual soils generally are silts and clayey silts with variable concentrations of sand and gravel sized particles which have not fully decomposed. The soil cover generally is limited to 2 to 6 feet thick.

### DESCRIPTION OF SUBSOIL

The borings encountered approximately 6.5 to 8 inches of asphalt over 2.5 to 3 inches of stone subbase. Typically, this was underlain by residual shale soils consisting of medium to compact silty, gravelly sands. At boring EB-2, the first 6 inches of material immediately below the existing pavement was loose or disturbed. In addition, boring EB-4 encountered loose to medium compact fill extending to a depth of approximately 3 feet. This is near a shallow existing brook crossing where some



depth of fill would be expected. Underlying virgin soil also was loose to a depth of 4 feet.

Fractured shale bedrock was encountered in the borings at depths ranging from 1.5 to 8.5 feet.

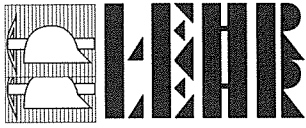
#### GROUNDWATER

Groundwater was encountered within the drilled depths of the borings. Groundwater levels encountered during construction may vary somewhat from the levels indicated on the logs due to seasonal variations in rainfall and temperature, variations in soil permeability, lateral seepage and fractures in the shale bedrock.

#### DISCUSSION AND RECOMMENDATIONS

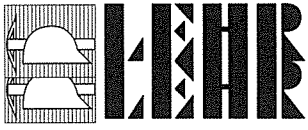
The subsoil profiles at this site consist of both fill and residual shale soils consisting of silty, gravelly sands over shale bedrock. The subgrade soils below the existing pavement generally were dense with the exception of the upper 6 inches in borings EB-2 and EB-4 which were loose and/or disturbed by the drilling operation. However, no unusual deterioration of the pavement was noted at these locations in comparison to the other boring locations where loose materials were not encountered. In general, the most severe deterioration of the pavement at this site is in the 2 longitudinal joints which are visible throughout much of the project length.

In general, the borings encountered materials which are suitable for support of the new pavement overlay. Exceptions may occur in areas where the base course is deteriorated, and most likely the underlying subgrade also is disturbed. This condition may be present at existing joints where water has infiltrated and disturbed the subgrade as the soils at this site are not particularly well draining.



The asphalt base course should be removed and replaced in any areas where severe deterioration is noted before and/or after milling or significant movement is noted under loaded tandems during milling operations (or even specific proofrolling operations over the milled surface to seek out such areas, if desired). It is recommended that subgrades be inspected by the Soils Engineer in any areas where the base course is removed to determine if remediation of the subgrade is required. Unsuitable subgrade soils should be recompacted in place or removed and replaced, as directed by the Soils Engineer. Replacement materials should consist of material similar to the native residual shale soils compacted to 95 percent of the Modified Proctor density of the material or additional full depth asphalt. Use of granular sand or gravel materials is not recommended for small areas of replacement as drainage of these materials cannot be provided and water is likely to accumulate in areas which are undercut and replaced with granular soils. Geogrid can be used if directed to stabilize any deeper areas of unsuitable material, if encountered.





## **SOIL BORING LOGS**

Surface elevations at the boring locations are based on topographic data provided by others

Soil boring logs make no representation or warranties either as to the presence or absence of obstructions other than those actually penetrated by the borings or as to their nature and extent. Subsurface conditions other than those actually penetrated by the borings, soil or rock, may vary with regard to elevations, composition, texture, structure, soundness, and other characteristics from the descriptions given in the logs and/or report.

# SOIL BORING LOG

**PROJECT:** Ethel Road Improvements  
**LOCATION:** Piscataway, New Jersey  
**DRILLER:** ETD  
**WATER DEPTH:** No Water Observed

**BORING NO.:** EB-1  
**DATE PERFORMED:** 11/23/21  
**OUR PROJECT NO.:** 9475  
**GROUND ELEV.:** ±79 Feet  
**OFFSET:** 15' Left  
**STATION:** 6+07

DEPTH (Feet)	CASING BLOWS	SAMPLE NO.	SAMPLE DEPTH (Feet)		BLOWS/6"		SAMPLE DESCRIPTION
			FROM	TO			
							8" Asphalt & 3" Stone over
	A						
	U	S-1	1	3	5	7	1)Red-brown medium to fine GRAVEL, some+ coarse to
	G				7	25	fine Sand, little Silt (decomposed Shale)
	E	S-2	3	5	44	37	2)Red-brown SHALE fragments
5	R				37	38	
		S-3	5	6'6"	12	31	3)SAME
					50		
10							
							BOTTOM @ 6' 6"
							(Refusal)
15							
20							

SAMPLER – 2" O.D. SPLIT SPOON; HAMMER – 140 LB, 30" FALL

# SOIL BORING LOG

**PROJECT:** Ethel Road Improvements  
**LOCATION:** Piscataway, New Jersey  
**DRILLER:** ETD  
**WATER DEPTH:** No Water Observed

**BORING NO.:** EB-2  
**DATE PERFORMED:** 11/23/21  
**OUR PROJECT NO.:** 9475  
**GROUND ELEV.:** ±87 Feet  
**OFFSET:** 13' Left  
**STATION:** 11+50

DEPTH (Feet)	CASING BLOWS	SAMPLE NO.	SAMPLE DEPTH (Feet)		BLOWS/6"		SAMPLE DESCRIPTION
			FROM	TO			
							8" Asphalt & 3" Stone over
	A						
	U	S-1	1	3	1	8	1)Red-brown coarse to fine SAND, and- Silt, trace fine
	G				15	18	Gravel (decomposed Shale)
	E	S-2	3	4'8"	17	26	2)Red-brown SHALE fragments
5	R				34	50/2"	
		S-3	5	5'8"	21	50/2"	3)SAME
10							
							BOTTOM @ 5' 8"
							(Refusal)
15							
20							

SAMPLER – 2" O.D. SPLIT SPOON; HAMMER – 140 LB, 30" FALL

# SOIL BORING LOG

**PROJECT:** Ethel Road Improvements  
**LOCATION:** Piscataway, New Jersey  
**DRILLER:** ETD  
**WATER DEPTH:** No Water Observed

**BORING NO.:** EB-3  
**DATE PERFORMED:** 11/23/21  
**OUR PROJECT NO.:** 9475  
**GROUND ELEV.:** ±88 Feet  
**OFFSET:** 9' Left  
**STATION:** 15+72

DEPTH (Feet)	CASING BLOWS	SAMPLE NO.	SAMPLE DEPTH (Feet)		BLOWS/6"		SAMPLE DESCRIPTION
			FROM	TO			
							8" Asphalt & 2.5" Stone over
	A						
	U	S-1A	1	1'6"	7	38	1A)Red-brown coarse to fine SAND, and+ Silt
	G	S-1B	1'6"	2'5"	52/5"	49	1B)Red-brown SHALE fragments
	E	S-2	2'5"	3'4"	50/4"		2)SAME
5	R						
10							BOTTOM @ 3' 4"
							(Refusal)
15							
20							

SAMPLER – 2" O.D. SPLIT SPOON; HAMMER – 140 LB, 30" FALL

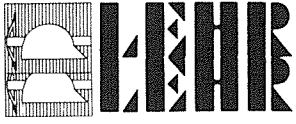
# SOIL BORING LOG

**PROJECT:** Ethel Road Improvements  
**LOCATION:** Piscataway, New Jersey  
**DRILLER:** ETD  
**WATER DEPTH:** Moist Soils @ 7'

**BORING NO.:** EB-4  
**DATE PERFORMED:** 11/23/21  
**OUR PROJECT NO.:** 9475  
**GROUND ELEV.:** ±84 Feet  
**OFFSET:** 15' Left  
**STATION:** 20+22

DEPTH (Feet)	CASING BLOWS	SAMPLE NO.	SAMPLE DEPTH (Feet)		BLOWS/6"		SAMPLE DESCRIPTION
			FROM	TO			
							6.5" Asphalt & 3" Stone over
	A						
	U	S-1	1	3	2	6	1)FILL: Red-brown coarse to fine Sand, and- Silt, some+
	G				7	7	medium to fine Gravel
	E	S-2	3	5	4	4	2)Orange-brown coarse to fine Sand, and- medium to
5	R				6	8	fine Gravel, some Silt
		S-3A	5	6'4"	2	8	3A)Red-brown SILT, little mf Sand, trace f Gravel
		S-3B	6'4"	7	15	30	3B)Dk grey & brn Clayey SILT w/dec. Shale fragments
		S-4	7	7'6"	50		4)Red-brown decomposed SHALE fragments
		S-5	8'6"	8'7"		50/1"	5)Red-brown SHALE fragments
10							
							BOTTOM @ 8' 7"
15							(Refusal)
20							

SAMPLER – 2" O.D. SPLIT SPOON; HAMMER – 140 LB, 30" FALL



## **LABORATORY TEST RESULTS**



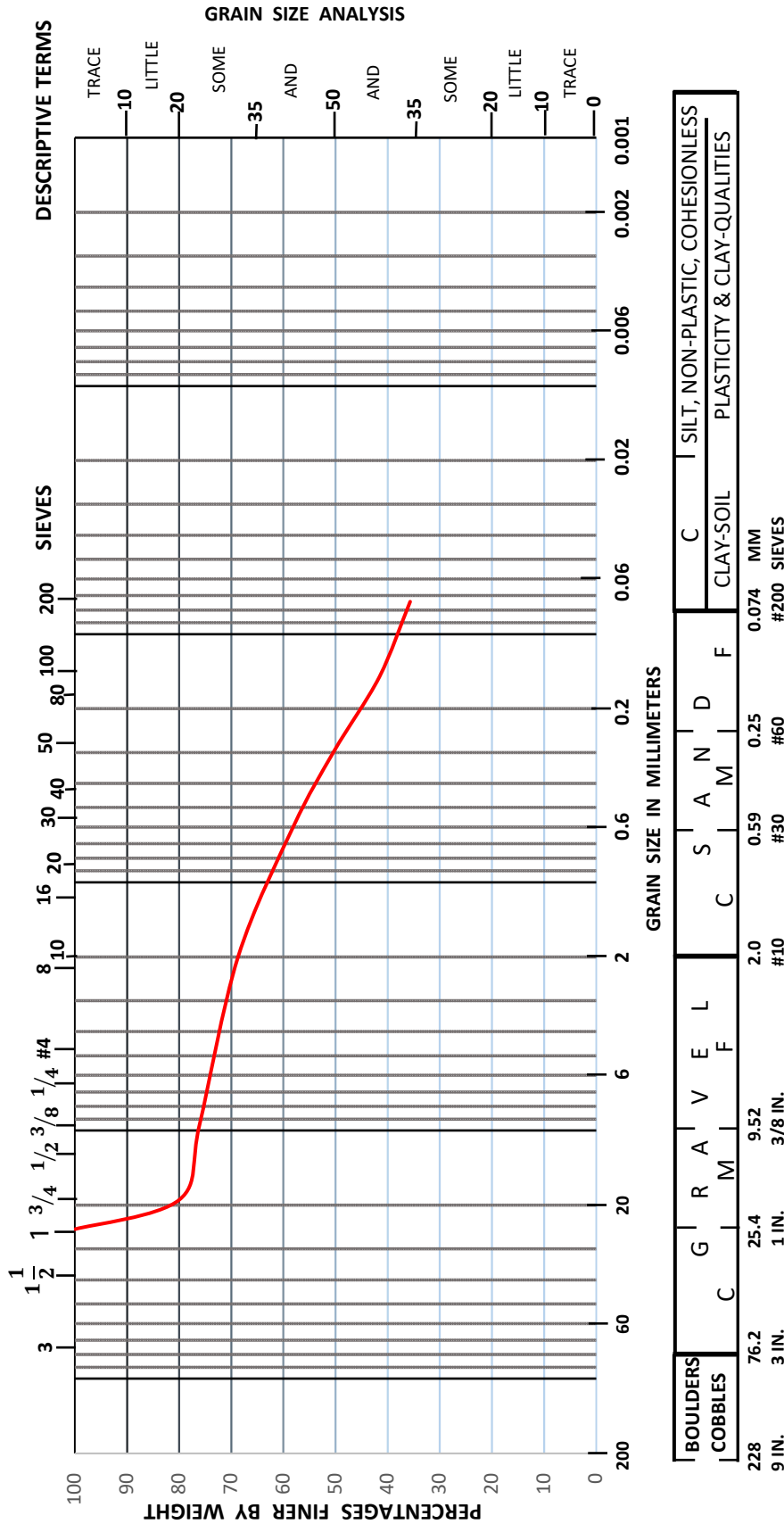






PROJECT NAME: Ethel Road  
 LOCATION: Piscataway, NJ

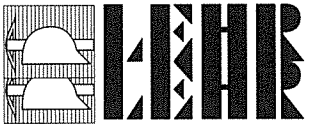
PROJECT NO. 9475  
 Date: 12/17/2021



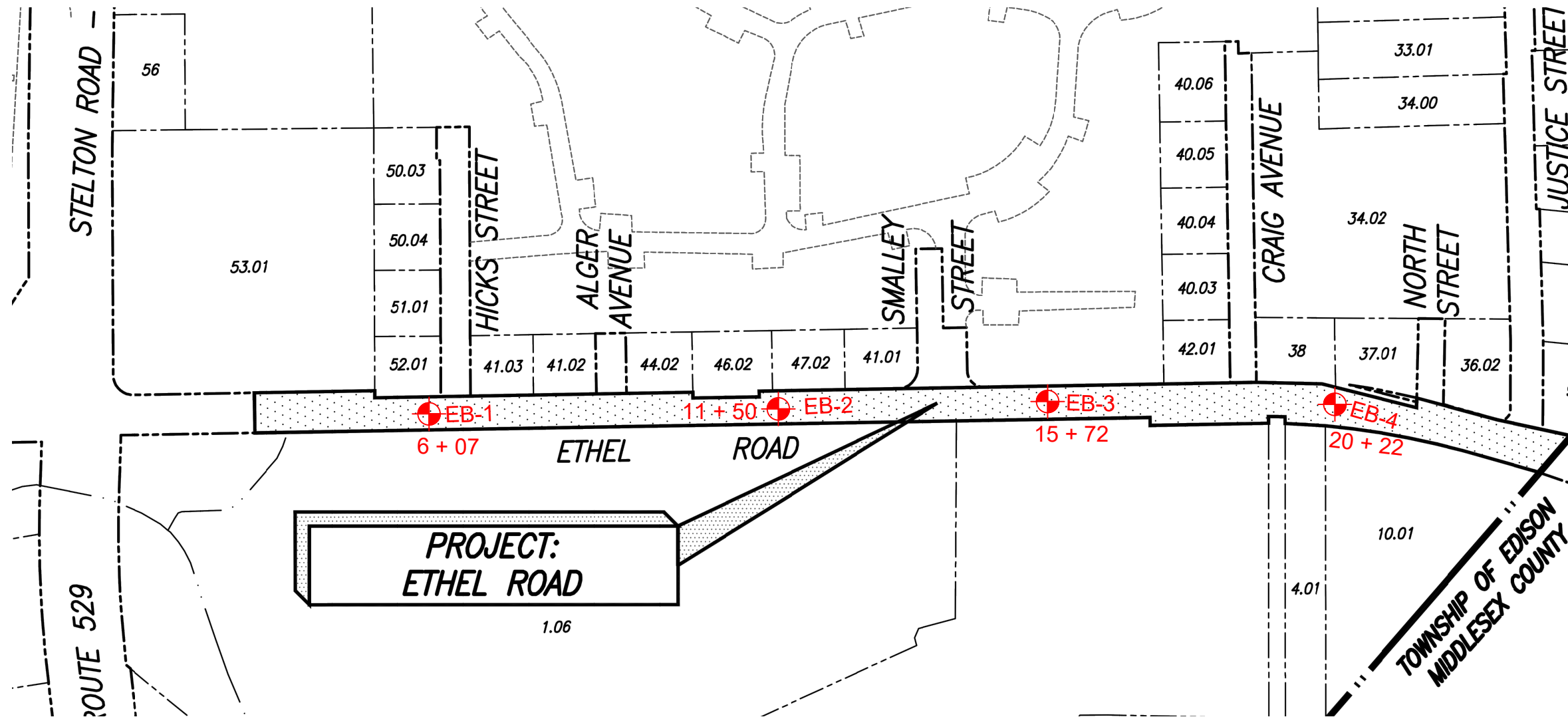
**IDENTIFICATION AND DESCRIPTION OF SOILS**

**Boring EB-4, Sample S-1 (Depth: 1'-3')**  
 Red brown coarse to fine Sand, and (-) Silt, some (+) medium to fine Gravel (Fill)





**LOCATION PLAN**



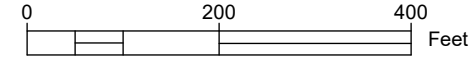
**PROJECT:  
ETHEL ROAD**

**LEGEND**

⊕EB-X-DENOTES APPROXIMATE BORING LOCATION & NUMBER

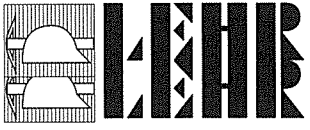
**Boring Location Plan**

Scale: 1"= 200'

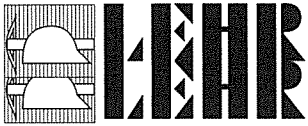


<p>FRANK H. LEHR ASSOCIATES CONSULTING CIVIL ENGINEERS 101 South Harrison Street East Orange, New Jersey 07018 Certificate of Authorization No. 24GA27950400</p>	REV.	DESCRIPTION	DATE	DRN	APD
		Road Improvement Ethel Road Piscataway, NJ			
		Boring Location Plan			
	PROJECT NO.	9475			
	SHEET NO.	L-1			
	DRAWN BY	CHECKED BY	DATE	SCALE	OF 1
	noa	mjs	12/30/21	AS NOTED	

© Copyright 2018 Frank H. Lehr Associates All Rights Reserved



**SOIL CLASSIFICATION SYSTEM**  
**RELATIVE DENSITY AND CONSISTENCY RELATIONSHIPS**  
**ABBREVIATIONS**



## SOIL CLASSIFICATION SYSTEM

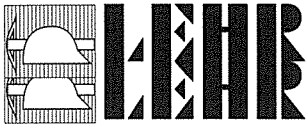
The soil classification system shown on the boring and/or test pit logs is based upon the American Society for Engineering Education definitions of soil components. The percentages of the various components are based upon the "Burmister" system as described in the paper, "Suggested Methods of Test for Identification of Soils" by Dr. D. M. Burmister. A summary of this system is presented below.

<u>Soil Component</u>	<u>Descriptive Terms As Written on Log</u>	<u>Range of Proportions</u>
PRINCIPAL COMPONENT (All letters Capitalized)	-	50% or More
Minor Components (First Letter Capitalized)	and (a.)	35% to 50%
	some (s.)	20% to 35%
	little (l.)	10% to 20%
	trace (t.)	1% to 10%

Plus (+) Nearer the upper limit of proportion

Minus (-) Nearer the lower limit of proportion

No Sign Middle range of proportion



## SOIL CLASSIFICATION SYSTEM

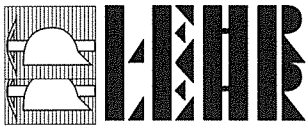
### COARSE GRAINED SOILS – GRADATION OF COMPONENTS

Coarse to fine	cf	All sizes
Coarse to medium	cm	Less than 10% fine
Medium to fine	mf	Less than 10% coarse
Coarse	c	Less than 10% medium & fine
Medium	m	Less than 10% coarse & fine
Fine	f	Less than 10% coarse & medium

<u>Component</u>	<u>Symbol</u>	<u>Sieve Range</u>
Boulders	-	9" and larger
Cobbles	-	3" to 9"
Gravel	G	
Coarse		1" to 3"
Medium		3/8" to 1"
Fine		#10 to 3/8"
Sand	S	
Coarse		#10 to #30
Medium		#30 to #60
Fine		#60 to #200

### FINE GRAINED SOILS – PLASTICITY OF COMPONENTS

<u>Component</u>	<u>Symbol</u>	<u>Overall Plasticity</u>	<u>Plasticity Index</u>
SILT	\$	Non-Plastic	0
Clayey SILT	Cy\$	Slight	1 to 5
SILT & CLAY	\$ & C	Low	5 to 10
CLAY & SILT	C & \$	Medium	10 to 20
Silty CLAY	SyC	High	20 to 40
CLAY	C	Very High	over 40



## RELATIVE DENSITY AND CONSISTENCY RELATIONSHIPS

The STANDARD PENETRATION TEST (SPT) value obtained in a boring during sampling of the soil is the most common means of determining the relative supporting value of soils. The SPT value is the number of blows of a 140-pound hammer, freely falling 30 inches, required to drive a standard 2-inch OD split-spoon sampler 1 foot into the soil. This figure provides an indication of relative density or consistency of the material sampled.

Relative density describes the compactness of a granular soil (i.e., a soil whose principal constituents are larger than the #200 sieve size). Compactness for a given soil indicates its relative supporting value. Similarly, consistency describes the degree of consolidation of a cohesive soil (i.e., a soil whose principal constituents are smaller than the #200 sieve size). Consistency for a given soil indicates its relative supporting value.

The tables below summarize the relationships established between these soil properties and the relative supporting value of the soil.

### RELATIONSHIP OF RELATIVE DENSITY AND CONSISTENCY TO RELATIVE SUPPORTING VALUE

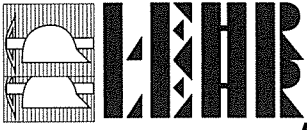
#### A. GRANULAR SOILS

<u>Relative Density</u>	<u>Compactness</u>	<u>Silt</u>	<u>Sand</u>	<u>Gravel</u>
0 - 40%	Loose	Poor – Fair	Fair	Fair – Good
40 - 70%	Medium Compact	Fair – Good	Good	Good – Very Good
70 - 90%	Compact	Good – Very Good	Very Good	Very Good+
90 - 100%	Very Compact	Excellent	Excellent	Excellent

#### B. COHESIVE SOILS

<u>Consistency</u>	<u>Relative Supporting Value</u>
Very Soft	Practically None
Soft	Very Poor
Medium	Poor – Fair
Stiff	Fair – Good
Very Stiff	Good





## ABBREVIATIONS USED FOR SOIL CLASSIFICATION

blk – black  
brn – brown  
dk - dark

Colors

gry – grey  
grn – green  
lt - light

or - orange  
wh – white  
yel – yellow

Miscellaneous

asph	-	asphalt
bldr(s)	-	boulder(s)
brk(s)	-	brick(s)
cbl(s)	-	cobble(s)
conc	-	concrete
cndr(s)	-	cinder(s)
dd.	-	diamond core drilled
dec.	-	decomposed
do.	-	ditto
El., el.	-	elevation
fgmt(s)	-	fragment(s)
GWT	-	groundwater table
lig	-	lignite
lge	-	large
lyr(s)	-	layer(s)
mdw. mat	-	meadow mat
misc	-	miscellaneous
mtld	-	mottled
NR	-	no (water level) reading
NR, no rec.	-	no recovery of sample
O	-	organic
occ.	-	occasional
pc(s)	-	pieces
pen.	-	penetration
pkt(s)	-	pocket(s)
PP	-	pocket penetrometer
Pt.	-	peat
ref.	-	refusal
rt(s)	-	root(s)
rbl.	-	rubble
sm(s)	-	seam(s)
sml	-	small
SS	-	Sandstone
tpsl.	-	topsoil
veg.	-	vegetation
vvd.	-	varved
wd.	-	wood
w/	-	with
WL	-	water level
WH	-	weight of hammer
WR	-	weight of rods only

\*"Refusal" is defined as the limit of depth that a soil boring can be extended by standard soil boring techniques (i.e., without recourse to diamond drilling).

Bid No: 2022-03-08

# THE TOWNSHIP OF PISCATAWAY



# PLANS PAGES

Pages 1 of 25



**MARIA E. VALENTE-CAEMMERER**

---

Purchasing Agent/Township Secretary

# ETHEL ROAD ROADWAY IMPROVEMENTS STELTON ROAD TO THE MUNICIPAL BORDER

SITUATED IN

## TOWNSHIP OF PISCATAWAY, MIDDLESEX COUNTY, NEW JERSEY

### INDEX OF UTILITIES

**PSEG (GAS):**  
KELLY SUTTER  
PROJECT MANAGER, SOUTH  
3 TERRI LANE, UNIT 6  
BURLINGTON, NJ 08016  
Kelly.Sutter@pseg.com  
WORK: 609-387-6443

**PSEG (GAS):**  
MICHAEL D. MEEHAN  
NEW BRUNSWICK GAS DIVISION  
LAYOUT INSPECTOR  
150 HOW LANE  
NEW BRUNSWICK, NJ 08901  
michael.meehan@pseg.com  
WORK: 732-220-8242  
FAX: 732-220-1564

**PSEG (GAS):**  
MICHAEL J. RANDAZZO  
DISTRIBUTION SUPERVISOR  
40 ROCK AVENUE  
PLAINFIELD, NJ 07063  
michael.randazzo@pseg.com  
WORK: 908-688-3874  
FAX: 908-822-0497

**PSEG (ELECTRIC):**  
MICHELE STILES  
SENIOR ENGINEER/TECHNICIAN  
472 WESTON CANAL ROAD  
SOMERSET, NJ 08873  
michele.stiles@pseg.com  
WORK: 732-764-3161

**PSEG (ELECTRIC):**  
BRIAN LAMBERTSON  
472 WESTON CANAL ROAD  
SOMERSET, NJ 08873  
Brian.Lambertson@pseg.com  
WORK: 732-764-3161

**NAMM:**  
MICHAEL BANGE  
FIELD OPERATIONS MANAGER  
1341 NORTH AVENUE  
PLAINFIELD, NJ 07062  
Michael.Bange@arnwater.com  
TEL: 908-791-3456  
FAX: 908-791-3510

**NAMM:**  
RALPH BRIZUELA  
SR. SUPERVISOR OF OPERATIONS  
CONSTRUCTION NAWM  
1341 NORTH AVENUE  
PLAINFIELD, NJ 07062  
Rafael.Brizuela@arnwater.com  
WORK: 908-791-3449  
FAX: 908-757-0074

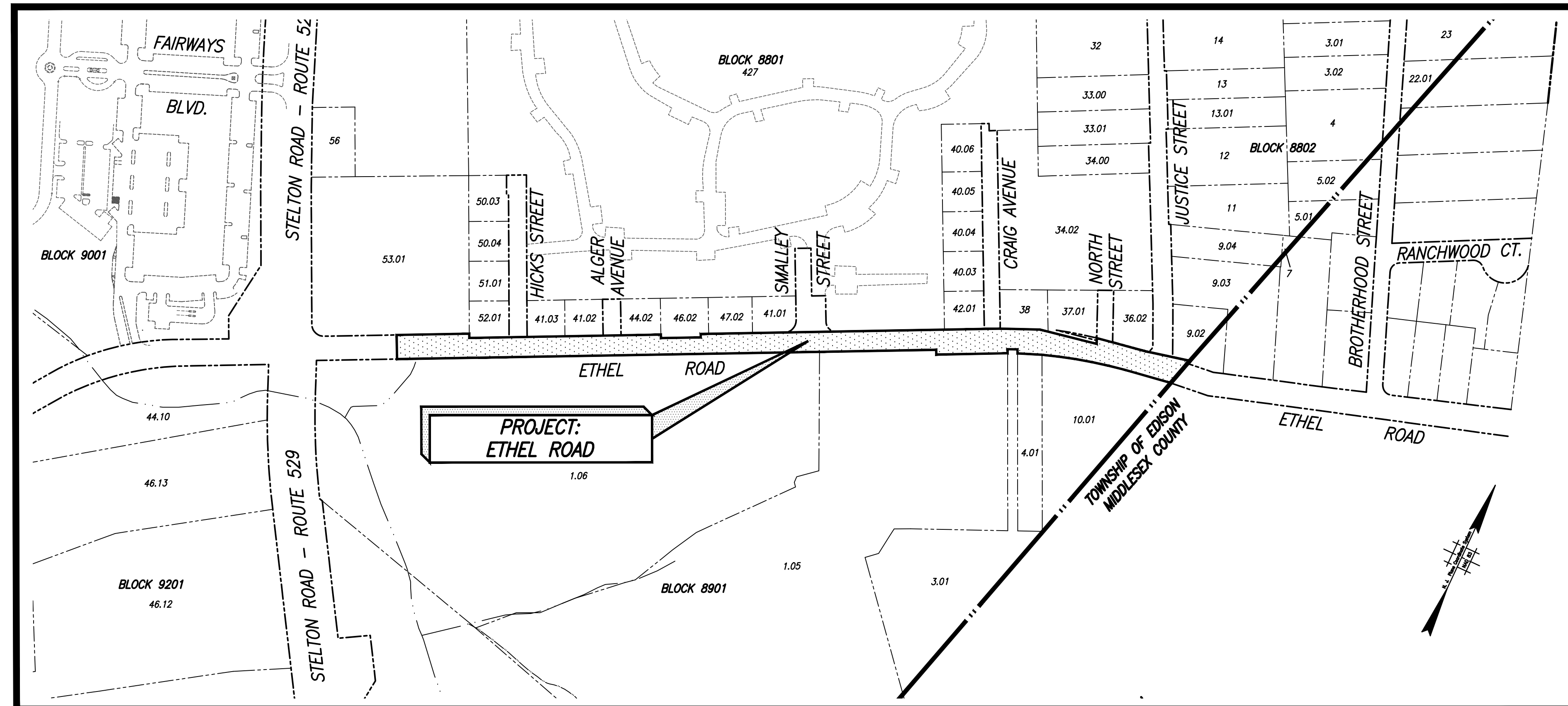
**VERIZON:**  
BILL HIGGINS  
VERIZON-NJ  
OSP ENGINEERING/ROW AGENT  
999 W. MAIN ST.  
FREEHOLD, NJ 07728  
William.w.higgins@verizon.com  
WORK: 732-663-5180

**VERIZON:**  
NICK BAMOND, MBA  
ENGINEER III SPEC-WIRELINE  
NETWORK ENG & OPS  
nicholas.p.bamond@verizon.com

**OPTIMUM ONLINE (ALICE) - CABLE:**  
PETER MANN  
275 CENTENNIAL AVENUE  
PISCATAWAY, NJ 08854  
Peter.Mann@AliceUSA.com  
WORK: 732-243-6268

**CROWN CASTLE FIBER:**  
MATTHEW RITTERSON  
CONSTRUCTION MANAGER NORTHEAST SMALL  
CELL & FIBER SOLUTIONS  
3200 HORIZON DRIVE, SUITE 150  
KING OF PRUSSIA, PA 19406  
Matt.Ritterson@crowncastle.com  
WORK: 610-567-7987

**PISCATAWAY DPW SEWER:**  
GUY GASPARI, P.E., P.L.S., P.P., C.P.W.M.  
DIRECTOR OF PUBLIC WORKS  
505 SIDNEY ROAD  
PISCATAWAY, NJ 08854  
ggaspar@piscatawaynj.org  
WORK: 732-562-2395  
FAX: 732-529-2501



KEY MAP  
1"=200'

INDEX OF SHEETS	
SHEET No.	TITLE
1	COVER SHEET
2	LEGEND SHEET
3	QUANTITIES AND GENERAL NOTES
4	EXISTING CONDITIONS PLAN - 1 (STA. 0+00 TO STA. 16+00)
5	EXISTING CONDITIONS PLAN - 2 (STA. 16+00 TO STA. 22+64.90)
6	CONSTRUCTION PLAN - 1 (STA. 0+00 TO STA. 16+00)
7	CONSTRUCTION PLAN - 2 (STA. 16+00 TO STA. 22+64.90)
8	HANDICAP RAMP DETAILS
9	ROADWAY PLAN AND PROFILE - 1 (STA. 0+00 TO STA. 9+00)
10	ROADWAY PLAN AND PROFILE - 2 (STA. 9+00 TO STA. 16+00)
11	ROADWAY PLAN AND PROFILE - 3 (STA. 16+00 TO STA. 23+00)
12	ROADWAY CROSS SECTIONS - 1 (STA. 0+00 TO STA. 8+50.00)
13	ROADWAY CROSS SECTIONS - 2 (STA. 9+00 TO STA. 15+10.12)
14	ROADWAY CROSS SECTIONS - 3 (STA. 15+50 TO STA. 23+00.00)
15	SIGNING, STRIPING AND LANDSCAPING PLAN - 1
16	SIGNING, STRIPING AND LANDSCAPING PLAN - 2
17	SOIL EROSION AND SEDIMENT CONTROL PLAN - 1
18	SOIL EROSION AND SEDIMENT CONTROL PLAN - 2
19	SOIL EROSION AND SEDIMENT CONTROL DETAILS - 1
20	SOIL EROSION AND SEDIMENT CONTROL DETAILS - 2
21	CONSTRUCTION DETAILS - 1
22	CONSTRUCTION DETAILS - 2
23	CONSTRUCTION DETAILS - 3
24	CONSTRUCTION DETAILS - 4
25	CONSTRUCTION TRAFFIC CONTROL AND DETOUR PLAN

### MAYOR AND TOWN COUNCIL MEMBERS

<b>BRIAN C. WAHLER</b> MAYOR	<b>MICHELE LOMBARDI</b> FRANK UHRIN JAMES BULLARD GABRIELLE CAHILL STEVEN D. CAHN LINWOOD D. ROUSE KAPIL K. SHAH	<b>MAYOR</b> COUNCIL PRESIDENT COUNCIL VICE PRESIDENT COUNCILMAN COUNCILWOMAN COUNCILMAN COUNCILMAN COUNCILMAN
---------------------------------	--	---

### SUPERVISOR OF ENGINEERING

JOSEPH HERRERA, CFM

### BUSINESS ADMINISTRATOR

TIMOTHY DACEY

### MUNICIPAL CLERK

MELISSA A. SEADER, RMC, CMR

### REFERENCES:

- THE OFFICIAL TAX MAPS OF THE TOWNSHIP OF PISCATAWAY, MIDDLESEX COUNTY, NEW JERSEY.
- TOPOGRAPHIC INFORMATION TAKEN FROM A PLAN ENTITLED "TOPOGRAPHY OF RIGHT OF WAY FOR ETHEL ROAD BETWEEN STELTON ROAD AND BROTHERHOOD STREET, TOWNSHIP OF PISCATAWAY, MIDDLESEX COUNTY, NEW JERSEY", PREPARED BY CONTROL LAYOUTS, INC., DATED APRIL 22, 2020, GREGG A. GAFFNEY, N.J.P.L.S., LICENSE No. GS43304.
- SOIL BORINGS FROM GEOTECHNICAL INVESTIGATION ENTITLED "ETHEL ROAD ROADWAY IMPROVEMENTS STELTON ROAD TO THE MUNICIPAL BORDER PISCATAWAY, NEW JERSEY" PREPARED BY FRANK H. LEHR ASSOCIATES, DATED 12-30-2021.
- SANITARY INSPECTION REPORTS PROVIDED BY THE TOWNSHIP OF PISCATAWAY, CERTIFICATE NUMBER U-0518-07030015, DATED 11-20-2021.

### GENERAL INFORMATION

1. OWNER/APPLICANT: TOWNSHIP OF PISCATAWAY  
455 HOES LANE  
PISCATAWAY, NJ 08854

### DIRECTOR OF PUBLIC WORKS

GUY GASPARI, P.E., P.L.S., P.P., CPWM

### MUNICIPAL ENGINEER

CHARLES CARLEY, P.E., P.P., C.M.E.

REVISIONS	
DATE	DESCRIPTION
09-28-2020	REVISIONS PER TOWNSHIP REVIEW COMMENTS
10-13-2020	REVISIONS PER TOWNSHIP REVIEW COMMENTS
11-16-2020	REVISIONS PER FSCD REVIEW COMMENTS
01-18-2022	REVISIONS PER GEOTECHNICAL REPORT
02-10-2022	REVISIONS PER TOWNSHIP REVIEW COMMENTS

THE OWNER AND CONTRACTOR SHALL HOLD HARMLESS THE ENGINEER FROM AND AGAINST ALL CLAIMS, DAMAGES, LOSSES AND EXPENSES INCLUDING ATTORNEY'S FEES ARISING OUT OF OR RESULTING FROM THE PERFORMANCE OF THE WORK BY THE CONTRACTOR. CHANGES TO THE PLANS BY THE OWNER AND THE CONTRACTOR SHALL BE THE RESPONSIBILITY OF THE PERSONS MAKING SUCH CHANGES. THE CONTRACTOR SHALL CHECK AND VERIFY ALL PLAN DIMENSIONS AND CONDITIONS BEFORE PROCEEDING WITH CONSTRUCTION.

**COVER SHEET**

**ETHEL ROAD ROADWAY IMPROVEMENTS  
STELTON ROAD TO THE MUNICIPAL BORDER**

SITUATED IN  
TOWNSHIP OF PISCATAWAY  
MIDDLESEX COUNTY, NEW JERSEY

**Grotto ENGINEERING ASSOCIATES, LLC**  
ENGINEERS • PLANNERS • SURVEYORS  
Certificate of Authorization No. 24GA27918300  
340 NORTH AVENUE  
CRANFORD, NEW JERSEY 07016  
908-272-8901 (F) 908-272-8902

**EDWARD BOGAN** PROFESSIONAL ENGINEER  
N.J. LICENSE NO. 22260

DATE: 07-01-2020 SCALE: AS SHOWN DRAWN: REB CHECKED: FF SHEET: 1 OF 25 JOB: PW-0008

**LINEAR FEATURES**

EXISTING	PROPOSED	
W	WATER MAIN (SIZE)	
GAS	GAS MAIN (SIZE)	
T	TELEPHONE CONDUIT	
OHW	OVERHEAD WIRES	
UE	UNDERGROUND ELECTRIC	
CATV	CABLE TV	
FO	FIBER OPTIC	
(SIZE & TYPE)	SANITARY SEWERS	
(SIZE & TYPE)	STORM DRAINS	
	PAVEMENTS (CONCRETE OR BITUMINOUS)	
	SHOULDERS	
	CURBS	
	SLOPES (CUT & FILL)	
5+00	BASE LINE	
	TWP., CITY, COUNTY LINES	
	RIGHT OF WAY LINES (ACCESS PERMITTED)	
	EASEMENTS	
	GRADING LIMITS	
	PROPERTY LINE	
X	FENCE (SIZE & TYPE)	
	BEAM GUIDE RAIL	
WL	WETLAND BOUNDARY LINE	
	SILT FENCE	
DITCH	DITCHES	
	RAILROAD TRACKS	
	TREE LINE	

**TOPOGRAPHIC FEATURES**

EXISTING	PROPOSED	
	INLETS (LABEL TYPE)	
S D T	MANHOLES (LABEL TYPE OR UTILITY)	
	RESET (INLETS OR MANHOLES)	
	RECONSTRUCTED (INLETS OR MANHOLES)	
	CAST IRON EXTENSION (FRAME OR RING) (INLET OR MANHOLE)	
	NEW MANHOLE CASTING, SQUARE FRAME, CIRCULAR COVER OR INLET CONVERTED TO MANHOLE	
	R.C. END SECTION OR C.M. HEADWALL	
	HEADWALLS	
	HEADWALLS & APRONS	
	WATER GATE VALVES/METER	
	RESET WATER GATE VALVES	
	GAS VALVES	
	RESET GAS GATE VALVES	
	GAS BOX	
	HYDRANTS	
	RESET HYDRANTS	
	UTILITY POLE (TYPE & NUMBER)	
	TEMPORARY UTILITY POLE	
	TRAFFIC SIGNAL	
	JUNCTION BOX	
	FIBER OPTIC JUNCTION BOX	
	JUNCTION BOX FOUNDATION	
	SIGNS	
	VERTICAL PANELS	
	GUIDE RAIL END TERMINALS	
	BEAM GUIDE RAIL ANCHORAGES	
	TRAFFIC SIGNAL	

**TOPOGRAPHIC FEATURES**

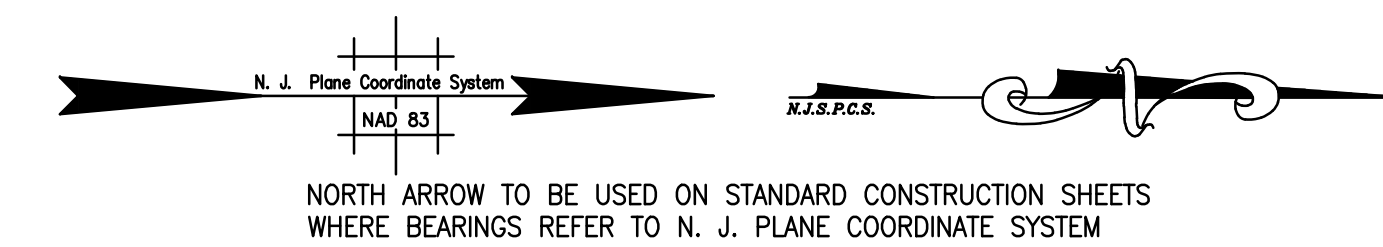
EXISTING	PROPOSED	
MON.	MONUMENTS	
	ROW MONUMENT (ROW CONTROL POINTS)	
	TEST PIT	
BT	BORINGS (BORING NUMBER)	
	DECIDUOUS TREE (SIZE, KIND)	
	EVERGREENS	
	BUSH	
	HEDGES	
	SWAMP	
SHD	TRAFFIC BOX	
TS	TRAFFIC SIGNAL	
GUY	GUY WIRE	
LP	LIGHT POLE	
V	VALVE	
X 70.56	SPOT ELEVATION	

**DOUBLE REFERENCE CODES**

E-DOQ - EST. & DIST. OF QTY - ROADWAY  
 TS - TYPICAL SECTIONS  
 PSI - PLAN SHEET INDEX  
 C - CONSTRUCTION PLANS  
 EP - ENVIRONMENTAL PLANS  
 D - DRAINAGE PLANS  
 P - PROFILES  
 T - TIES  
 G - GRADES  
 TC - TRAFFIC CONTROL (AND STAGING PLANS)  
 E - ELECTRICAL PLANS  
 TSP - TRAFFIC SIGNAL PLANS  
 HL - HIGHWAY LIGHTING PLANS  
 L - LANDSCAPE PLANS  
 SL - SIGN LOCATION PLANS  
 TSS - TRAFFIC SIGNING AND STRIPING PLANS  
 STD - SIGN TEXT DETAILS  
 MS - METHOD OF CROSS SECTIONS  
 X - CROSS SECTIONS  
 DTL - CONSTRUCTION DETAILS  
 EOQB - ESTIMATE OF QUANTITIES - BRIDGE  
 B - BRIDGE PLANS

**MISCELLANEOUS SYMBOLS**

○	ITEMS WITH NO ALTERNATE
ALTERNATE OR	FOR ALTERNATE PIPE ITEMS (C) = CONCRETE (M) = METAL
	FULL DEPTH PAVEMENT RECONSTRUCTION HOT MIX ASPHALT 9.5M6+ SURFACE COURSE, 2" THICK HOT MIX ASPHALT 19M64 BASE COURSE, 5" THICK DENSE-GRADED AGGREGATE BASE COURSE, 6" THICK
	AREA OF PAVEMENT MILLING
	CONCRETE DRIVEWAY, REINFORCED, 6" THICK
	HOT MIX ASPHALT DRIVEWAY, VARIABLE THICKNESS
X	TREE & SHRUB REMOVAL
PROFILE LEVEL LINE	
	HIGH POINT
	LOW POINT
B.M.	BENCH MARK
	INLET PROTECTION
	EXISTING TRAFFIC SIGN TO BE REMOVED



**ABBREVIATIONS USED IN THIS CONTRACT:**

AH., BK.	AHEAD, BACK	J.B.	JUNCTION BOX	RCEP, R.C.E.P.	REINFORCED CONCRETE ELLIPTICAL PIPE
B.L.	BASILINE	LT., RT.	LEFT, RIGHT	RCP, R.C.P.	REINFORCED CONCRETE PIPE
B.M.	BENCH MARK	L.O.P.	LIMIT OF PAVEMENT (PAVING)	RMC, R.M.C.	RIGID METALLIC CONDUIT
B.T.	BELL TELEPHONE	L.O.M.	LIMIT OF MILLING	RNMC, R.N.M.C.	RIGID NON-METALLIC CONDUIT
BIT., BITUM.	BITUMINOUS	M.B.	MAILBOX	ROW, R.O.W.	RIGHT OF WAY
BLDG.	BUILDING	M.P.	MILE POST	R.R.	RAILROAD
C.L.	CENTERLINE	MAX.	MAXIMUM	RTE., RT.	ROUTE
C.I.P.	CAST IRON PIPE	MIN.	MINIMUM	SAN.	SANITARY
C.M.P.	CORRUGATED METAL PIPE	NO.	NUMBER	SDWK.	SIDEWALK
CONC.	CONCRETE	N.T.S.	NOT TO SCALE	S.H.D.	STATE HIGHWAY DEPARTMENT
CULV.	CULVERT	PAV.T.	PAVEMENT	SHLD.	SHOULDER
DIA.	DIAMETER	PERF.	PERFORATED	S.S.L.	SURVEY LINE
D.C.	DROP CURB	P.G.L.	PROFILE GRADE LINE	S.O.D.	SUBBASE OUTLET DRAIN
DE	DITCH EXCAVATION	P.L.	PROPERTY LINE, PROFILE LINE	STY.	STORY
DEP., DP	DEPRESSED CURB	PK	PARKER KAYLON MASONRY NAIL	T	TANGENT
DH	DRILL HOLE	POC, P.O.C.	POINT ON CURVE	TBA	TO BE ABANDONED
DWY	DRIVEWAY	POL, P.O.L.	POINT ON LINE	TBR	TO BE REMOVED
E.B., W.B., N.B., S.B.	EASTBOUND, WESTBOUND NORTHBOUND, SOUTHBOUND	POT, P.O.T.	POINT ON TANGENT	TEL	TELEPHONE
EL., ELEV.	ELEVATION	PRC, P.R.C.	POINT OF REVERSE CURVE	TEMP.	TEMPORARY
EXIST.	EXISTING	PROP.	PROPOSED	THK., TH.	THICK
G.	GRADE	PT, P.T.	POINT OF TANGENCY	TYP.	TYPICAL
GR.	GRATE	PVC, P.V.C.	POLYVINYL CHLORIDE PIPE,	U.D.	UNDERDRAIN
HT.	HEIGHT	PVI, P.V.I.	POINT OF VERTICAL INTERSECTION	UP, U.P.	UTILITY POLE
H.W.	HEADWALL	PVT, P.V.T.	POINT OF VERTICAL TANGENCY, PAVEMENT	VAR.	VARIABLE, VARIES
HYD.	HYDRANT	R	RADIUS	W.C.V.C.	WHITE CONCRETE VERTICAL CURB
INV.	INVERT	RCCP, R.C.C.P.	REINFORCED CONCRETE CULVERT PIPE	WM	WATER METER
I.P.	IRON PIN			X-SECT	CROSS SECTION

**FRESHWATER WETLANDS FEATURES**

---	LIMIT OF DISTURBANCE
---	RIPARIAN ZONE LINE
SOW - A-1	STATE OPEN WATER LINE 7 FLAG NUMBER
WL - B-1 - WL	WETLANDS LIMIT LINE & FLAG NUMBER
D	PHOTOGRAPHIC LOCATION & DIRECTION OF VIEW
	TEMPORARY RIPARIAN ZONE IMPACT
	PERMANENT RIPARIAN ZONE IMPACT
	TEMPORARY WETLANDS IMPACT
	TEMPORARY STATE OPEN WATER IMPACT
	PERMANENT STATE OPEN WATER IMPACT

**GENERAL NOTES:**

- IN ACCORDANCE WITH TITLE 39 OF NJSA, HANDICAP CURB RAMPS ARE REQUIRED AT ALL CROSSWALKS WHEREVER A SIDEWALK EXISTS OR IS PROPOSED. ALL CURB RAMPS MUST CONFORM TO THE ADA REQUIREMENTS AND THE DETAILS PROVIDED HEREIN. CURB RAMPS SHALL BE CONSTRUCTED AT ALL LOCATIONS AS SHOWN IN THE CONSTRUCTION PLANS AND/OR AS DIRECTED IN THE FIELD BY THE ENGINEER FOR CONFORMANCE WITH APPLICABLE REGULATIONS.
- THIS SET OF DRAWINGS AND ALL INFORMATION CONTAINED HEREIN IS AUTHORIZED FOR USE ONLY BY THE PARTY FOR WHOM THE WORK WAS CONTRACTED OR TO WHOM IT IS CERTIFIED.
- THIS DRAWING MAY NOT BE COPIED, REUSED, DISCLOSED, DISTRIBUTED OR RELIED UPON FOR ANY OTHER PURPOSE WITHOUT APPROVAL OF GROTTO ENGINEERING ASSOCIATES L.L.C. AND THE TOWNSHIP OF PISCATAWAY.
- CONTRACTOR SHALL PROVIDE TRAFFIC CONTROL MEASURES IN ACCORDANCE WITH THE LATEST EDITION OF THE MANUAL ON UNIFORM TRAFFIC CONTROL DEVICES AND THESE PLANS AS CONTAINED HEREIN.
- WHERE NEW WORK MEETS EXISTING PAVEMENT, EXISTING PAVEMENT SHALL BE SAW CUT. COST SHALL BE INCLUDED IN UNIT PRICE FOR SAME. THERE SHALL BE NO SEPARATE PAYMENT FOR SAW CUTTING.
- WHERE NEW CONCRETE PIPE IS CONSTRUCTED, CONTRACTOR SHALL USE PIPE WITH GASKETED JOINTS.

**LEGEND SHEET**

**ETHEL ROAD ROADWAY IMPROVEMENTS  
STELTON ROAD TO THE MUNICIPAL BORDER**

**SITUATED IN  
TOWNSHIP OF PISCATAWAY  
MIDDLESEX COUNTY, NEW JERSEY**

**GROTTO ENGINEERING ASSOCIATES, LLC**  
 ENGINEERS • PLANNERS • SURVEYORS  
 Certificate of Authorization No. 24GA27918300  
 340 NORTH AVENUE  
 CRANFORD, NEW JERSEY 07016  
 908-272-8901 (F) 908-272-8902

**EDWARD BOGAN**

PROFESSIONAL ENGINEER  
 N.J. LICENSE NO. 22260

REVISIONS	
DATE	DESCRIPTION
09-28-2020	REVISIONS PER TOWNSHIP REVIEW COMMENTS
10-13-2020	REVISIONS PER TOWNSHIP REVIEW COMMENTS
11-16-2020	REVISIONS PER FSCD REVIEW COMMENTS
01-18-2022	REVISIONS PER GEOTECHNICAL REPORT
02-10-2022	REVISIONS PER TOWNSHIP REVIEW COMMENTS

THE OWNER AND CONTRACTOR SHALL HOLD HARMLESS THE ENGINEER FROM AND AGAINST ALL CLAIMS, DAMAGES, LOSSES AND EXPENSES INCLUDING ATTORNEY'S FEES ARISING OUT OF OR RESULTING FROM THE PERFORMANCE OF THE WORK BY THE CONTRACTOR. CHANGES TO THE PLANS BY THE OWNER AND THE CONTRACTOR SHALL BE THE RESPONSIBILITY OF THE PERSONS MAKING SUCH CHANGES. THE CONTRACTOR SHALL CHECK AND VERIFY ALL PLAN DIMENSIONS AND CONDITIONS BEFORE PROCEEDING WITH CONSTRUCTION.

DATE: 07-01-2020 SCALE: NO SCALE DRAWN: REB CHECKED: FF SHEET: 2 OF 25 JOB: PW-0008

S:\Ethel Road Projects\Freshwater\Sheet\Ethel Road Roadway Improvement Plan D - 12.22.2020.dwg 7/10/2022



**GENERAL NOTES**

- TOPOGRAPHIC INFORMATION TAKEN FROM A PLAN ENTITLED "TOPOGRAPHY OF RIGHT OF WAY FOR ETHEL ROAD BETWEEN STELTON ROAD AND BROTHERHOOD STREET, TOWNSHIP OF PISCATAWAY, MIDDLESEX COUNTY, NEW JERSEY", PREPARED BY CONTROL LAYOUTS, INC, GREGG A. GAFFNEY, N.J.P.L.S., LICENSE No. GS43304, DATED APRIL 22, 2020.
- BEARINGS AND COORDINATES ARE BASED ON NEW JERSEY STATE PLANE COORDINATE SYSTEM (NAD-1983).
- ALL ELEVATIONS ARE BASED ON NAVD-88
- THE CONTRACTOR SHALL UTILIZE A SUITABLE PAVEMENT SAW OR MILLING MACHINE TO CUT ALL PAVEMENT IN NEAT LINES. PAYMENT FOR PAVEMENT CUTTING SHALL BE INCLUDED UNDER THE CLEARING SITE ITEM.
- THE CONTRACTOR SHALL BROOM SWEEP OR MECHANICALLY SWEEP ALL STREETS IN AREAS DISTURBED BY CONSTRUCTION ACTIVITIES ON A DAILY BASIS.
- THE LOCATIONS OF UTILITIES SHOWN ON THE PLANS ARE APPROXIMATE. THE CONTRACTOR SHALL NOTIFY ALL UTILITY COMPANIES AT LEAST ONE (1) WEEK PRIOR TO CONSTRUCTION FOR PHYSICAL MARKOUTS OF UTILITIES. THE CONTRACTOR SHALL NOTIFY ALL UTILITY COMPANIES IN ACCORDANCE WITH THE "UNDERGROUND FACILITY PROTECTION ACT" (P.L. 1994 CH 118) AND PROVIDE THE ENGINEER WITH THE NOTIFICATION CONFIRMATION NUMBER PRIOR TO EXCAVATION. THE CONTRACTOR IS TO CALL THE GARDEN STATE UNDERGROUND PLANT LOCATION SERVICE (GSUPLS) AT 1-800-272-1000 PRIOR TO ANY EXCAVATION.
- RESTORATION OF LAWN AREAS ADJACENT TO CURB AND SIDEWALK TO BE COMPLETED WHERE DIRECTED BY THE ENGINEER. ALL DISTURBED LAWN AREAS ADJACENT TO CURB AND SIDEWALK SHALL BE RESTORED IN ACCORDANCE WITH THESE PLANS AS DIRECTED BY THE ENGINEER.
- EXCAVATION, BACKFILL, COMPACTION, AND OTHER METHODS OF CONSTRUCTION SHALL BE SUCH THAT THE WATER MAIN, GAS MAINS, SANITARY AND STORM SEWERS ARE ADEQUATELY PROTECTED. ANY DAMAGE, DISTURBANCE, OR BREAKAGE OF ANY UTILITY PIPES SHALL BE REPAIRED BY THE CONTRACTOR, AT NO ADDITIONAL COST TO THE OWNER. ALSO NOTE THAT MOST STORM DRAINS ARE AT SHALLOW DEPTHS WITH MINIMUM COVER, AND MUST BE PROTECTED DURING WORK.
- ALL INFORMATION SHOWN OR NOTED FOR EXISTING FACILITIES, GRADES, ROADWAYS, AND MATERIALS IS APPROXIMATE AND THE CONTRACTOR SHALL BE RESPONSIBLE FOR CHECKING ALL INFORMATION WHICH MAY AFFECT HIS WORK. LOCATION AND DEPTHS OF EXISTING UTILITIES ARE ONLY INDICATED TO BRING ATTENTION TO POSSIBLE CONFLICT.
- ANY DAMAGE TO UTILITIES SHALL BE THE SOLE RESPONSIBILITY OF THE CONTRACTOR AND ALL COSTS FOR REPAIRS SHALL BE BORNE BY THE CONTRACTOR.
- ALL DISTURBED SHRUBS, FENCING, WALKWAYS, SIGNS, MAILBOXES, DRIVES, ETC. SHALL BE RELOCATED AND/OR RESTORED TO THEIR ORIGINAL CONDITION AND TO THE SATISFACTION OF THE OWNER. NO SEPARATE PAYMENT SHALL BE MADE FOR THIS RESTORATION UNLESS SPECIFIED. PAYMENT SHALL BE MADE UNDER THE CLEARING SITE ITEM. INCLUDED IN CLEARING SITE SHALL BE ALL COSTS FOR LABOR, MATERIALS AND EQUIPMENT FOR REMOVING AND DISPOSING TREES, RELOCATING MAILBOXES, MODIFICATIONS TO DRIVES OTHER THAN BITUMINOUS CONCRETE OR CONCRETE, REMOVING AND REPLACING CURBING IN DRIVEWAYS, AND FILLING/REGRADEING EXISTING GUTTER SWALES, ETC. AS SHOWN ON THE PLANS AND AS REQUIRED.
- THE CONTRACTOR SHALL DEFINE THE LOCATION OF SITES TO BE USED FOR STORAGE OF EXCAVATION MATERIALS PRIOR TO THE RECONSTRUCTION MEETING.
- THE CONTRACTOR SHALL COMPLY WITH ALL ENVIRONMENTAL PROTECTION AND RESTORATION REQUIREMENTS SHOWN ON CONTRACT DRAWINGS AND INCLUDED IN THE CONTRACT SPECIFICATIONS.
- SEEDING AND GRADING LIMITS SHALL INCLUDE ALL AREAS WHICH ARE PART OF THE NEW CONSTRUCTION AND ALL AREAS DISTURBED BY CONSTRUCTION PROCEDURES, EQUIPMENT, OR VEHICLES. ALL DECORATIVE SHRUBS DISTURBED SHALL BE REPLACED IN KIND AS DIRECTED BY THE ENGINEER. NO SEPARATE PAYMENT SHALL BE MADE FOR THIS WORK.
- ALL PROPERTY CORNERS AND MONUMENTS REMOVED DURING CONSTRUCTION SHALL BE REPLACED BY A NEW JERSEY LICENSED LAND SURVEYOR. NO SEPARATE PAYMENT SHALL BE MADE FOR THIS WORK. PAYMENT SHALL BE MADE UNDER THE CLEARING SITE ITEM.
- THE CONTRACTOR'S ATTENTION IS DIRECTED TO THE SAFETY REQUIREMENTS IN THE INFORMATION FOR BIDDERS. THE OWNER SHALL ASSUME NO RESPONSIBILITY/LIABILITY FOR THE SAFETY OF THE WORKERS OR THE WORK PERFORMED.
- THE CONTRACTOR SHALL VERIFY ALL BENCHMARKS AND HORIZONTAL CONTROLS PRIOR TO THE START OF CONSTRUCTION. PAYMENT SHALL BE INCLUDED UNDER THE SITE CLEARING ITEM. CONTRACTOR SHALL SET GRADES UTILIZING EXISTING CURB AND SIDEWALK GRADES.
- ALL WATER AND GAS BOXES, ETC. WITHIN THE LIMITS OF WORK SHALL BE RESET OR RELOCATED WHERE NECESSARY AS DIRECTED BY THE ENGINEER. PAYMENT FOR THIS WORK SHALL BE INCLUDED UNDER THE CLEARING SITE ITEM.
- THE CONTRACTOR IS TO PROTECT ALL SECTIONS OF CURBING SPECIFIED TO REMAIN AT ALL TIMES DURING WORK. ANY DISTURBANCE OR DAMAGE TO CURBING TO REMAIN SHALL BE RECTIFIED AND CORRECTED BY THE CONTRACTOR AT NO ADDITIONAL COST.
- ALL INLETS WITHIN THE LIMITS OF WORK SHALL RECEIVE NEW FRAMES AND GRATES. ALL NEW TYPE "B" INLET GRATES AND CASTINGS SHALL BE TYPE "N" AS MANUFACTURED BY CAMPBELL FOUNDRY, OR APPROVED EQUIVAL.
- INLETS TO BE REPAIRED AND REPLASTERED WHERE DIRECTED BY THE ENGINEER. PAYMENT FOR THIS WORK SHALL BE INCLUDED IN THE UNIT PRICE FOR THE VARIOUS INLET ITEMS.

- EACH EXISTING DRIVEWAY WITHIN THE PROJECT LIMITS SHALL BE SAW CUT WITH A SUITABLE PAVEMENT SAW AND REPLACED WITH A DROP CURB, CONCRETE DRIVEWAY APRON, AND RECONSTRUCTED DRIVEWAY MATCHING THE EXISTING WIDTH OR AS DIRECTED BY THE ENGINEER. THE LENGTH OF THE DRIVEWAY RECONSTRUCTION SHALL BE FIELD DETERMINED BY THE ENGINEER. NO SEPARATE PAYMENT WILL BE MADE FOR THIS WORK, OTHER THAN FOR SPECIFIC DRIVEWAY RESTORATION ITEMS. SAW CUTTING SHALL TAKE PLACE UPON FINAL DRIVEWAY RESTORATION.
- CONTRACTOR SHALL BE REQUIRED TO FURNISH ALL DISPOSAL TICKETS FOR ALL SOLID WASTE REMOVED FROM THE SITE FROM THE LIMITS OF THE PROJECT TO THE OWNER.
- MILLING AND PAVING WORK MUST BE PERFORMED BETWEEN THE HOURS OF 8:00 AM TO 4:30 PM. CONTRACTOR TO COORDINATE LANE CLOSURES WITH THE PISCATAWAY POLICE DEPARTMENT, FIRE DEPARTMENT AND EMS.
- ALL POLICE TRAFFIC DIRECTORS WITH POLICE VEHICLES SHALL BE PROVIDED BY THE TOWNSHIP OF PISCATAWAY DIRECTLY. THE ALLOWANCE(S) FOR THIS ITEM MUST BE REVIEWED AND APPROVED BY PISCATAWAY POLICE DIVISION. PLEASE CONTACT NICHOLAS PALMASANO AT 732-562-2364 FROM PISCATAWAY POLICE DEPARTMENT IN THIS MATTER.
- CONTRACTOR TO PROVIDE CONSTRUCTION STAGING DURING ALL PHASES OF IMPROVEMENTS IN ACCORDANCE WITH CURRENT M.U.T.C.D. STANDARDS.
- MILLING WILL NOT BE MEASURED IN AREAS DESIGNATED "FULL DEPTH RECONSTRUCTION".
- WATER RELATED RELOCATED, RESETS AND NEW FACILITIES REQUIRED DURING CONSTRUCTION SHALL BE COORDINATED WITH AND CONSTRUCTED BY NEW JERSEY AMERICAN WATER COMPANY.
- GAS RELATED RELOCATIONS, RESETS AND NEW FACILITIES REQUIRED DURING CONSTRUCTION SHALL BE COORDINATED WITH AND CONSTRUCTED BY PSE&G. GAS MAINS SHALL BE RELOCATED HORIZONTALLY AND/OR VERTICALLY AND SHALL NOT CONFLICT WITH PROPOSED DRAINAGE.
- THE CONTRACTOR SHALL INSTALL PIPE SLEEVES THROUGH PROPOSED CURBING TO MATCH THE EXISTING TYPE OF ROOF DRAIN PIPE FOR EACH RESIDENCE. ALL EXISTING DRAINAGE PIPES TO CURB SHALL BE CLEANED OF DEBRIS AND PROTECTED DURING PAVING ACTIVITIES TO PREVENT CLOGGING OF PIPES.
- SIDEWALK PANELS AND CONCRETE CURB/GUTTER REMOVED DURING REMOVAL/REPLACEMENT SHALL BE REPLACED TO THE NEAREST JOINT.
- THIS PLAN HAS BEEN DESIGNED TO MEET THE REQUIREMENTS SET FORTH IN THE U.S. ACCESS BOARD'S GUIDELINES FOR ACCESSIBLE PUBLIC RITHS-OF-WAY AND THE U.S. DOJ'S 2010 A.D.A. STANDARDS FOR ACCESSIBLE DESIGN.
- ALL STORM SEWER PIPE TO BE CLASS III UNLESS OTHERWISE SPECIFIED.
- PARKING PROHIBITION SIGNS WITH ARROWS SHALL BE MOUNTED AT 45 DEGREES TO THE ROADWAY.
- THE CONTRACTOR IS RESPONSIBLE TO CONTACT ALL RESPECTIVE UTILITY COMPANIES TO DETERMINE THEIR SCHEDULE FOR PERFORMING UTILITY RELOCATION AND INSTALLATION WORK AND SHALL SCHEDULE THE WORK ACCORDINGLY SO AS NOT TO INTERFERE WITH THE WORK OF THE UTILITY COMPANIES.
- THE CONTRACTOR IS RESPONSIBLE FOR ANY COST ASSOCIATED WITH POTENTIAL UTILITY RELOCATION INCLUDING BUT NOT LIMITED TO: POLES, HYDRANTS, VALVES, BOXES, ETC.


**ESTIMATE OF CONSTRUCTION QUANTITIES**

ITEM NO.	INDOT SECTION NUMBER	DESCRIPTION	UNIT	CONSTRUCTION PLAN - 1 STA. 0+00 TO STA. 16+00	CONSTRUCTION PLAN - 2 STA. 16+00 TO STA. 22+64.90	ROADWAY PLAN AND PROFILE - 1 STA. 0+00 TO STA. 9+00	ROADWAY PLAN AND PROFILE - 2 STA. 9+00 TO STA. 16+00	ROADWAY PLAN AND PROFILE - 3 STA. 16+00 TO STA. 23+00	SIGNAGE, STRIPING AND LANDSCAPE PLAN - 1	SIGNAGE, STRIPING AND LANDSCAPE PLAN - 2	BID QUANTITY
1	157	CONSTRUCTION LAYOUT	LS	1	1	1	1	1	1	1	1
2	158	SOIL EROSION AND SEDIMENT CONTROL	LS	1	1	1	1	1	1	1	1
3	159	BREAKAWAY BARRICADES	UNIT	20	20	-	-	-	-	-	40
4	159	DRUMS	UNIT	40	40	-	-	-	-	-	80
5	159	TRAFFIC CONES	UNIT	100	100	-	-	-	-	-	200
6	159	CONSTRUCTION SIGNS	SF	122	122	-	-	-	-	-	244
7	159	UNIFORM LAW ENFORCEMENT OFFICERS	LS	1	1	1	1	1	1	1	1
8	160	FUEL PRICE ADJUSTMENT ALLOWANCE	DOLL	SEE SPEC	SEE SPEC	SEE SPEC	SEE SPEC	SEE SPEC	SEE SPEC	SEE SPEC	SEE SPEC
9	160	ASPHALT PRICE ADJUSTMENT ALLOWANCE	DOLL	SEE SPEC	SEE SPEC	SEE SPEC	SEE SPEC	SEE SPEC	SEE SPEC	SEE SPEC	SEE SPEC
10	201	CLEARING SITE AND RESTORATION	LS	1	1	1	1	1	-	-	1
11	202	EXCAVATION, TEST PITS	UNIT	4	4	-	-	-	-	-	8
12	202	EXCAVATION, UNCLASSIFIED	CY	-	-	644	734	580	-	-	2158
13	202	EXCAVATION, REGULATED MATERIAL (IF AND WHERE DIRECTED)	CY	-	-	-	-	-	-	-	50
14	202	DISPOSAL OF REGULATED MATERIAL (IF AND WHERE DIRECTED)	TON	-	-	-	-	-	-	-	50
15	301	2-1/2" STONE SUBBASE (IF AND WHERE DIRECTED)	CY	-	-	-	-	-	-	-	100
16	302	AGGREGATE BASE COURSE, No. 57 (IF AND WHERE DIRECTED)	CY	-	-	-	-	-	-	-	100
17	302	DENSE-GRADED AGGREGATE BASE COURSE, VARIABLE THICKNESS	CY	-	-	-	-	-	-	-	50
18	302	DENSE-GRADED AGGREGATE BASE COURSE, 6" THICK	SY	54	460	-	-	-	-	-	514
19	401	H.M.A. MILLING, 3" OR LESS	SY	5,590	2,271	-	-	-	-	-	7,861
20	401	POLYMERIZED JOINT ADHESIVE	LF	1187	665	-	-	-	-	-	1852
21	401	TACK COAT	GAL	568	232	-	-	-	-	-	800
22	401	HOT MIX ASPHALT 9.5M64 SURFACE COURSE, 2" THICK	TON	654	320	-	-	-	-	-	974
23	401	HOT MIX ASPHALT 19M64 BASE COURSE, 5" THICK	TON	16	135	-	-	-	-	-	151
24	513	RETAINING WALL, CAST IN PLACE (WITH PIPE RAIL)	SF	-	-	210	-	-	-	-	210
25	601	UNDERDRAIN, 8" ADS PERFORATED PIPE (IF AND WHERE DIRECTED)	LF	-	-	-	-	-	-	-	100
26	602	MANHOLE, RESET USING EXISTING CASTING	UNIT	-	-	2	-	3	-	-	5
27	602	RECONSTRUCT INLET, TYPE "B", USING EXISTING CASTING	UNIT	-	-	3	2	5	-	-	10
28	602	RECONSTRUCT INLET, TYPE "C", USING EXISTING CASTING	UNIT	-	-	-	-	1	-	-	1
29	602	8" POLYVINYL CHLORIDE (PVC) SEWER PIPE	LF	-	-	-	275	169	-	-	444
30	602	BICYCLE SAFE GRATE	UNIT	-	-	3	2	7	-	-	12
31	602	CURB PIECE, TYPE "N"	UNIT	-	-	3	2	5	-	-	10
32	606	CONCRETE SIDEWALK, 4" THICK	SY	135	46	-	-	-	-	-	181
33	606	CONCRETE SIDEWALK/DRIVEWAY APRON, 6" THICK	SY	42	-	-	-	-	-	-	42
34	606	HOT MIX ASPHALT MULTI USE PATH, 4" THICK	SY	1,395	636	-	-	-	-	-	2,031
35	606	HOT MIX ASPHALT DRIVEWAY, 4" THICK	SY	181	286	-	-	-	-	-	467
36	606	DETECTABLE WARNING SURFACE	SY	25	6	-	-	-	-	-	31
37	607	9" X 18" CONCRETE VERTICAL CURB	LF	377	214	-	-	-	-	-	591
38	610	TRAFFIC MARKING LINES, 4"	LF	-	-	-	-	-	2,200	1,214	3,414
39	610	TRAFFIC MARKING LINES, 6"	LF	-	-	-	-	-	61	-	61
40	610	TRAFFIC MARKING LINES, 8"	LF	-	-	-	-	-	484	185	669
41	610	TRAFFIC MARKING LINES, 24"	LF	-	-	-	-	-	112	39	151
42	610	TRAFFIC MARKINGS SYMBOLS	SF	-	-	-	-	-	100	25	125
43	612	REGULATORY AND WARNING SIGNS	SF	-	-	-	-	-	112	49	161
44	612	RESET SIGNS	UNIT	-	-	-	-	-	2	3	5
45	652	RESET MANHOLE, SANITARY SEWER, USING NEW CASTING	UNIT	-	-	5	3	3	-	-	11
46	652	SANITARY SEWER SERVICE CONNECTION (IF AND WHERE DIRECTED)	UNIT	-	-	-	-	-	-	-	12
47	802	TREE REMOVAL, OVER 4" TO 12" DIAMETER	UNIT	10	11	-	-	-	-	-	21
48	804	TOPSOILING, 4" THICK	SY	-	-	-	-	-	2,780	1,194	3,974
49	806	FERTILIZING AND SEEDING	SY	-	-	-	-	-	2,780	1,194	3,974
50	809	MULCHING	SY	-	-	-	-	-	2,780	1,194	3,974
51	811	LANDSCAPING (NEW SHADE TREES)	LS	-	-	-	-	-	1	1	1
52	919	GEOGRID (IF AND WHERE DIRECTED)	SY	-	-	-	-	-	-	-	330
53	919	GEOTEXTILE (IF AND WHERE DIRECTED)	SY	-	-	-	-	-	-	-	100
54	-	UNSPECIFIED CONSTRUCTION WORK (ALLOWANCE)	LS	SEE SPEC	SEE SPEC	SEE SPEC	SEE SPEC	SEE SPEC	SEE SPEC	SEE SPEC	SEE SPEC

**QUANTITIES AND GENERAL NOTES**

**ETHEL ROAD ROADWAY IMPROVEMENTS  
STELTON ROAD TO THE MUNICIPAL BORDER**

**SITUATED IN  
TOWNSHIP OF PISCATAWAY  
MIDDLESEX COUNTY, NEW JERSEY**



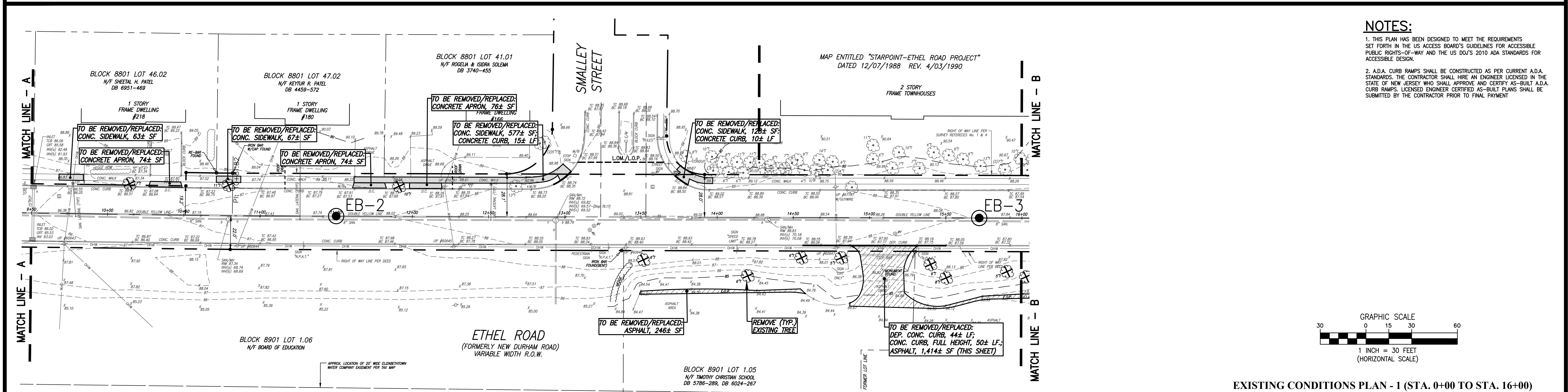
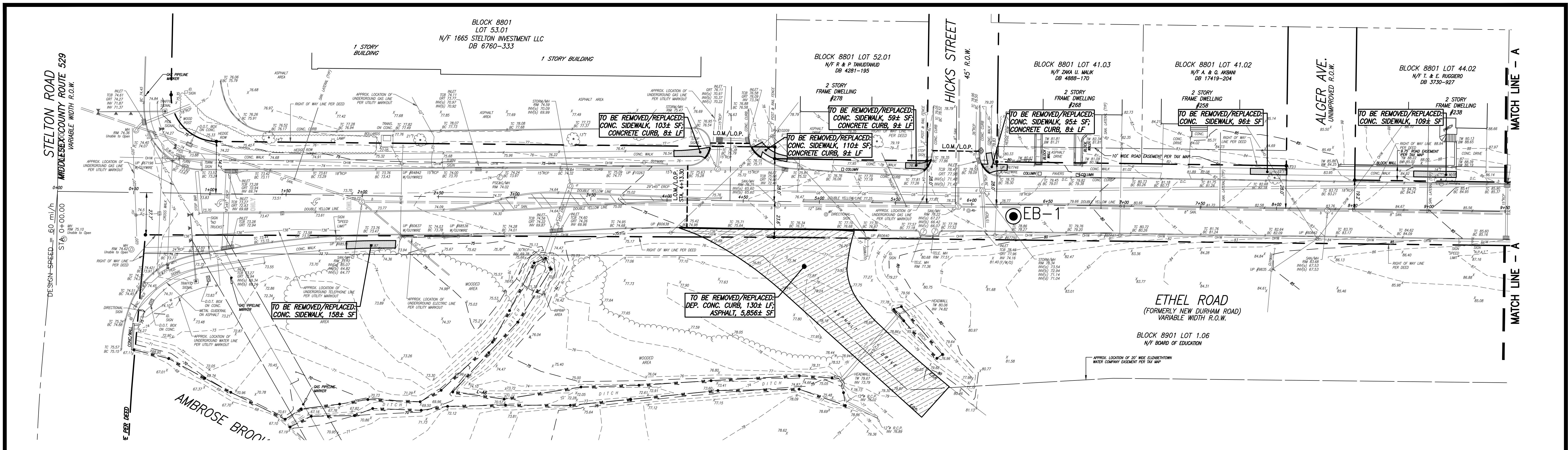
**Grotto ENGINEERING ASSOCIATES, LLC**  
ENGINEERS • PLANNERS • SURVEYORS  
Certificate of Authorization No. 24GA27918300  
340 NORTH AVENUE  
CRANFORD, NEW JERSEY 07016  
908-272-8901 (F) 908-272-8902

**EDWARD BOGAN** PROFESSIONAL ENGINEER  
N.J. LICENSE NO. 22260  
DATE: 07-01-2020 SCALE: NO SCALE DRAWN: REB CHECKED: FF SHEET: 3 OF 25 JOB: PW-0008

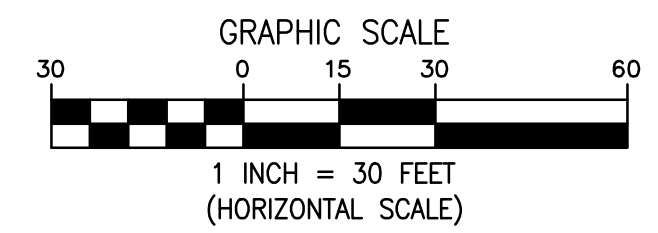
REVISIONS	
DATE	DESCRIPTION
09-28-2020	REVISIONS PER TOWNSHIP REVIEW COMMENTS
10-13-2020	REVISIONS PER TOWNSHIP REVIEW COMMENTS
11-16-2020	REVISIONS PER FSCD REVIEW COMMENTS
01-18-2022	REVISIONS PER GEOTECHNICAL REPORT
02-10-2022	REVISIONS PER TOWNSHIP REVIEW COMMENTS

THE OWNER AND CONTRACTOR SHALL HOLD HARMLESS THE ENGINEER FROM AND AGAINST ALL CLAIMS, DAMAGES, LOSSES AND EXPENSES INCLUDING ATTORNEY'S FEES ARISING OUT OF OR RESULTING FROM THE PERFORMANCE OF THE WORK BY THE CONTRACTOR. CHANGES TO THE PLANS BY THE OWNER AND THE CONTRACTOR SHALL BE THE RESPONSIBILITY OF THE PERSONS MAKING SUCH CHANGES. THE CONTRACTOR SHALL CHECK AND VERIFY ALL PLAN DIMENSIONS AND CONDITIONS BEFORE PROCEEDING WITH CONSTRUCTION.

S:\Ethel Road Projects\Facility\Sheet\Ethel Road Roadway Improvement Plan D - 12.22.20.dwg 7/10/2022



- NOTES:**
1. THIS PLAN HAS BEEN DESIGNED TO MEET THE REQUIREMENTS SET FORTH IN THE US ACCESS BOARD'S GUIDELINES FOR ACCESSIBLE PUBLIC RIGHTS-OF-WAY AND THE US DOJ'S 2010 ADA STANDARDS FOR ACCESSIBLE DESIGN.
  2. A.D.A. CURB RAMPS SHALL BE CONSTRUCTED AS PER CURRENT A.D.A. STANDARDS. THE CONTRACTOR SHALL HIRE AN ENGINEER LICENSED IN THE STATE OF NEW JERSEY WHO SHALL APPROVE AND CERTIFY AS-BUILT A.D.A. CURB RAMPS. LICENSED ENGINEER CERTIFIED AS-BUILT PLANS SHALL BE SUBMITTED BY THE CONTRACTOR PRIOR TO FINAL PAYMENT.



EXISTING CONDITIONS PLAN - 1 (STA. 0+00 TO STA. 16+00)

REVISIONS	
DATE	DESCRIPTION
09-28-2020	REVISIONS PER TOWNSHIP REVIEW COMMENTS
10-13-2020	REVISIONS PER TOWNSHIP REVIEW COMMENTS
11-16-2020	REVISIONS PER FSCD REVIEW COMMENTS
01-18-2022	REVISIONS PER GEOTECHNICAL REPORT
02-10-2022	REVISIONS PER TOWNSHIP REVIEW COMMENTS

THE OWNER AND CONTRACTOR SHALL HOLD HARMLESS THE ENGINEER FROM AND AGAINST ALL CLAIMS, DAMAGES, LOSSES AND EXPENSES INCLUDING ATTORNEY'S FEES ARISING OUT OF OR RESULTING FROM THE PERFORMANCE OF THE WORK BY THE CONTRACTOR. CHANGES TO THE PLANS BY THE OWNER AND THE CONTRACTOR SHALL BE THE RESPONSIBILITY OF THE PERSONS MAKING SUCH CHANGES. THE CONTRACTOR SHALL CHECK AND VERIFY ALL PLAN DIMENSIONS AND CONDITIONS BEFORE PROCEEDING WITH CONSTRUCTION.

**ETHEL ROAD ROADWAY IMPROVEMENTS**  
STELTON ROAD TO THE MUNICIPAL BORDER

SITUATED IN  
TOWNSHIP OF PISCATAWAY  
MIDDLESEX COUNTY, NEW JERSEY

**Grotto Engineering Associates, LLC**  
ENGINEERS • PLANNERS • SURVEYORS  
Certificate of Authorization No. 24GA27918300  
340 NORTH AVENUE  
CRANFORD, NEW JERSEY 07016  
908-272-8901 (F) 908-272-8902

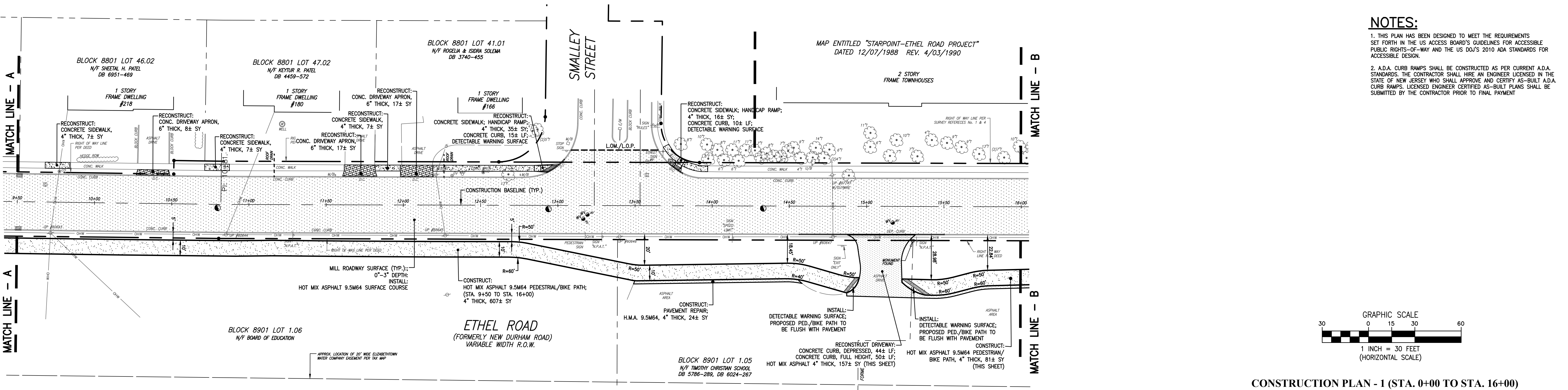
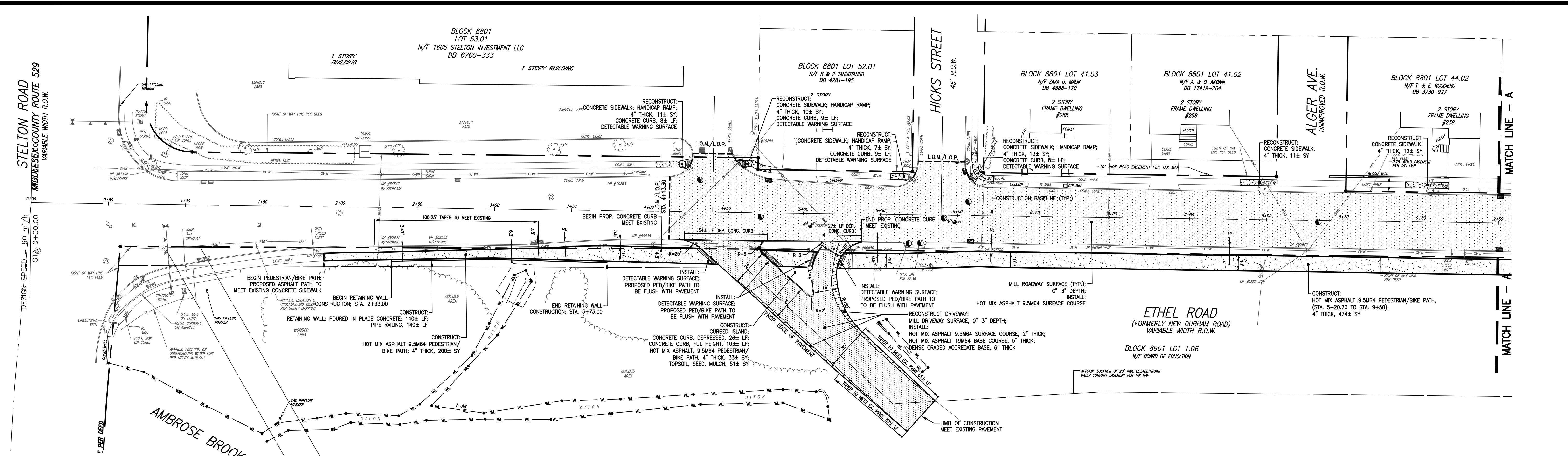
**EDWARD BOGAN** PROFESSIONAL ENGINEER  
N.J. LICENSE NO. 22260

DATE: 07-01-2020 SCALE: 1"=30' DRAWN: REB CHECKED: FF SHEET: 4 OF 25 JOB: PW-0008

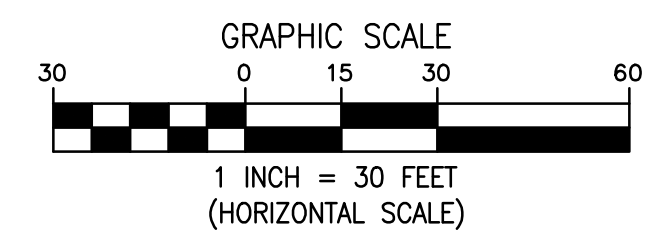
S:\Grotto Road Projects\Facility\Sheet\Ethel Road\Ethel Road Roadway Improvement Plan 0 - 12722.dwg 7/10/2022







- NOTES:**
1. THIS PLAN HAS BEEN DESIGNED TO MEET THE REQUIREMENTS SET FORTH IN THE US ACCESS BOARD'S GUIDELINES FOR ACCESSIBLE PUBLIC RIGHTS-OF-WAY AND THE US DOJ'S 2010 ADA STANDARDS FOR ACCESSIBLE DESIGN.
  2. A.D.A. CURB RAMPS SHALL BE CONSTRUCTED AS PER CURRENT A.D.A. STANDARDS. THE CONTRACTOR SHALL HIRE AN ENGINEER LICENSED IN THE STATE OF NEW JERSEY WHO SHALL APPROVE AND CERTIFY AS-BUILT A.D.A. CURB RAMPS. LICENSED ENGINEER CERTIFIED AS-BUILT PLANS SHALL BE SUBMITTED BY THE CONTRACTOR PRIOR TO FINAL PAYMENT.



CONSTRUCTION PLAN - 1 (STA. 0+00 TO STA. 16+00)

REVISIONS	
DATE	DESCRIPTION
09-28-2020	REVISIONS PER TOWNSHIP REVIEW COMMENTS
10-13-2020	REVISIONS PER TOWNSHIP REVIEW COMMENTS
11-16-2020	REVISIONS PER FSCD REVIEW COMMENTS
01-18-2022	REVISIONS PER GEOTECHNICAL REPORT
02-10-2022	REVISIONS PER TOWNSHIP REVIEW COMMENTS

THE OWNER AND CONTRACTOR SHALL HOLD HARMLESS THE ENGINEER FROM AND AGAINST ALL CLAIMS, DAMAGES, LOSSES AND EXPENSES INCLUDING ATTORNEY'S FEES ARISING OUT OF OR RESULTING FROM THE PERFORMANCE OF THE WORK BY THE CONTRACTOR. CHANGES TO THE PLANS BY THE OWNER AND THE CONTRACTOR SHALL BE THE RESPONSIBILITY OF THE PERSONS MAKING SUCH CHANGES. THE CONTRACTOR SHALL CHECK AND VERIFY ALL PLAN DIMENSIONS AND CONDITIONS BEFORE PROCEEDING WITH CONSTRUCTION.

**ETHEL ROAD ROADWAY IMPROVEMENTS  
STELTON ROAD TO THE MUNICIPAL BORDER**

SITUATED IN  
**TOWNSHIP OF PISCATAWAY  
MIDDLESEX COUNTY, NEW JERSEY**

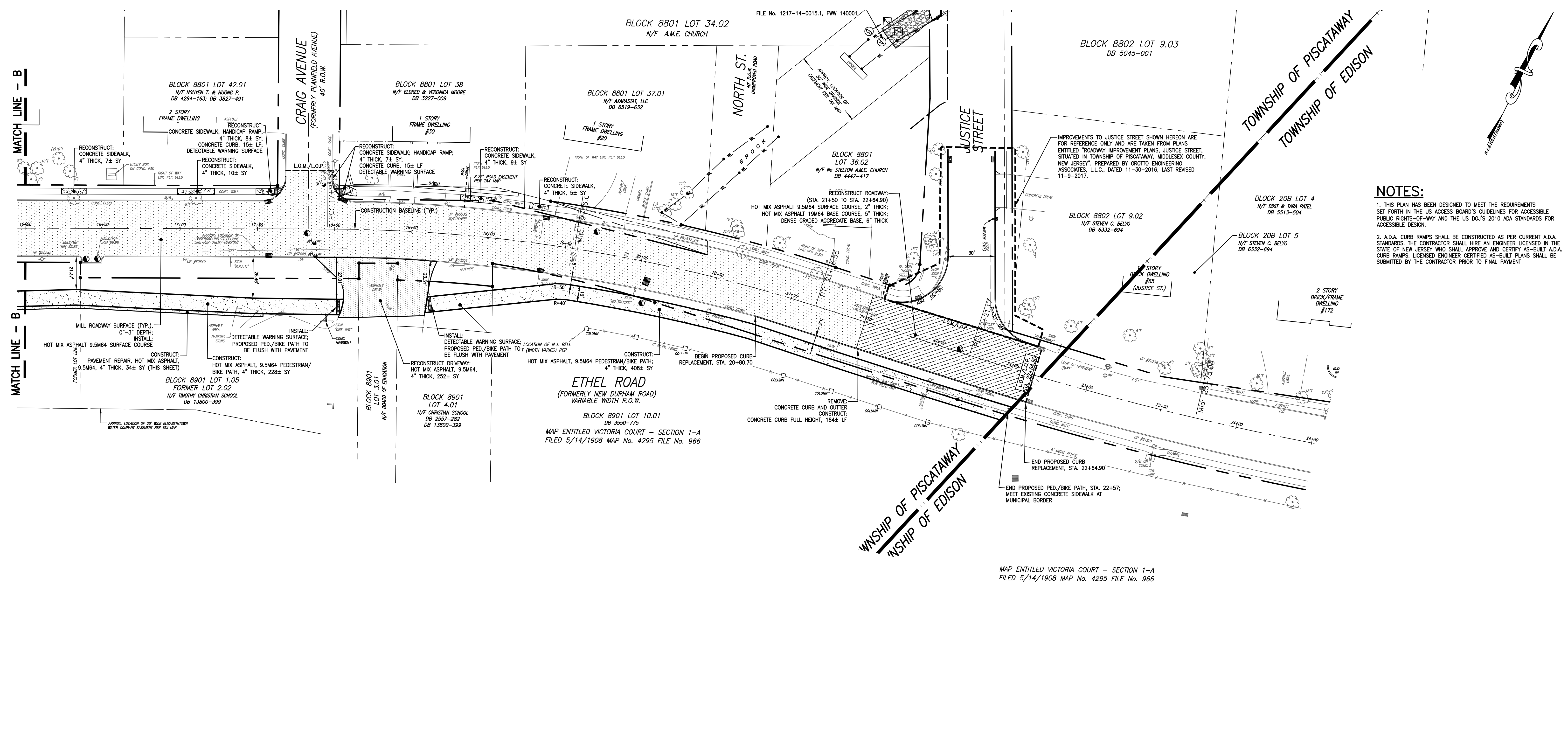
**Grotto Engineering Associates, LLC**  
ENGINEERS • PLANNERS • SURVEYORS  
Certificate of Authorization No. 24GA27918300  
340 NORTH AVENUE  
CRANFORD, NEW JERSEY 07016  
908-272-8901 (F) 908-272-8902

**EDWARD BOGAN** PROFESSIONAL ENGINEER  
N.J. LICENSE NO. 22260

DATE: 07-01-2020 SCALE: 1"=30' DRAWN: REB CHECKED: FF SHEET: 6 OF 25 JOB: PW-0008

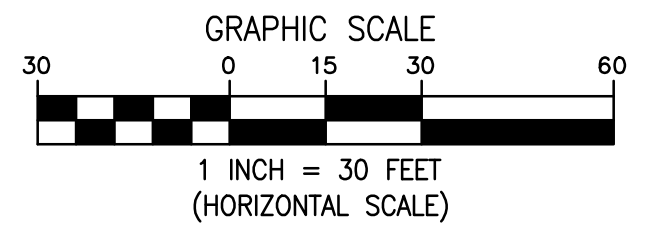
S:\Grotto Road Projects\Facilities\Sheet\Ethel Road Roadway Improvement Plan 0 - 12.22.2020 2/10/2022





**NOTES:**

1. THIS PLAN HAS BEEN DESIGNED TO MEET THE REQUIREMENTS SET FORTH IN THE US ACCESS BOARD'S GUIDELINES FOR ACCESSIBLE PUBLIC RIGHTS-OF-WAY AND THE US DOJ'S 2010 ADA STANDARDS FOR ACCESSIBLE DESIGN.
2. A.D.A. CURB RAMP SHALL BE CONSTRUCTED AS PER CURRENT A.D.A. STANDARDS. THE CONTRACTOR SHALL HIRE AN ENGINEER LICENSED IN THE STATE OF NEW JERSEY WHO SHALL APPROVE AND CERTIFY AS-BUILT A.D.A. CURB RAMP. LICENSED ENGINEER CERTIFIED AS-BUILT PLANS SHALL BE SUBMITTED BY THE CONTRACTOR PRIOR TO FINAL PAYMENT.



MAP ENTITLED VICTORIA COURT - SECTION 1-A  
FILED 5/14/1908 MAP No. 4295 FILE No. 966

**CONSTRUCTION PLAN - 2 (STA. 16+00 TO STA. 22+64.90)**

**ETHEL ROAD ROADWAY IMPROVEMENTS  
STELTON ROAD TO THE MUNICIPAL BORDER**

SITUATED IN  
**TOWNSHIP OF PISCATAWAY  
MIDDLESEX COUNTY, NEW JERSEY**

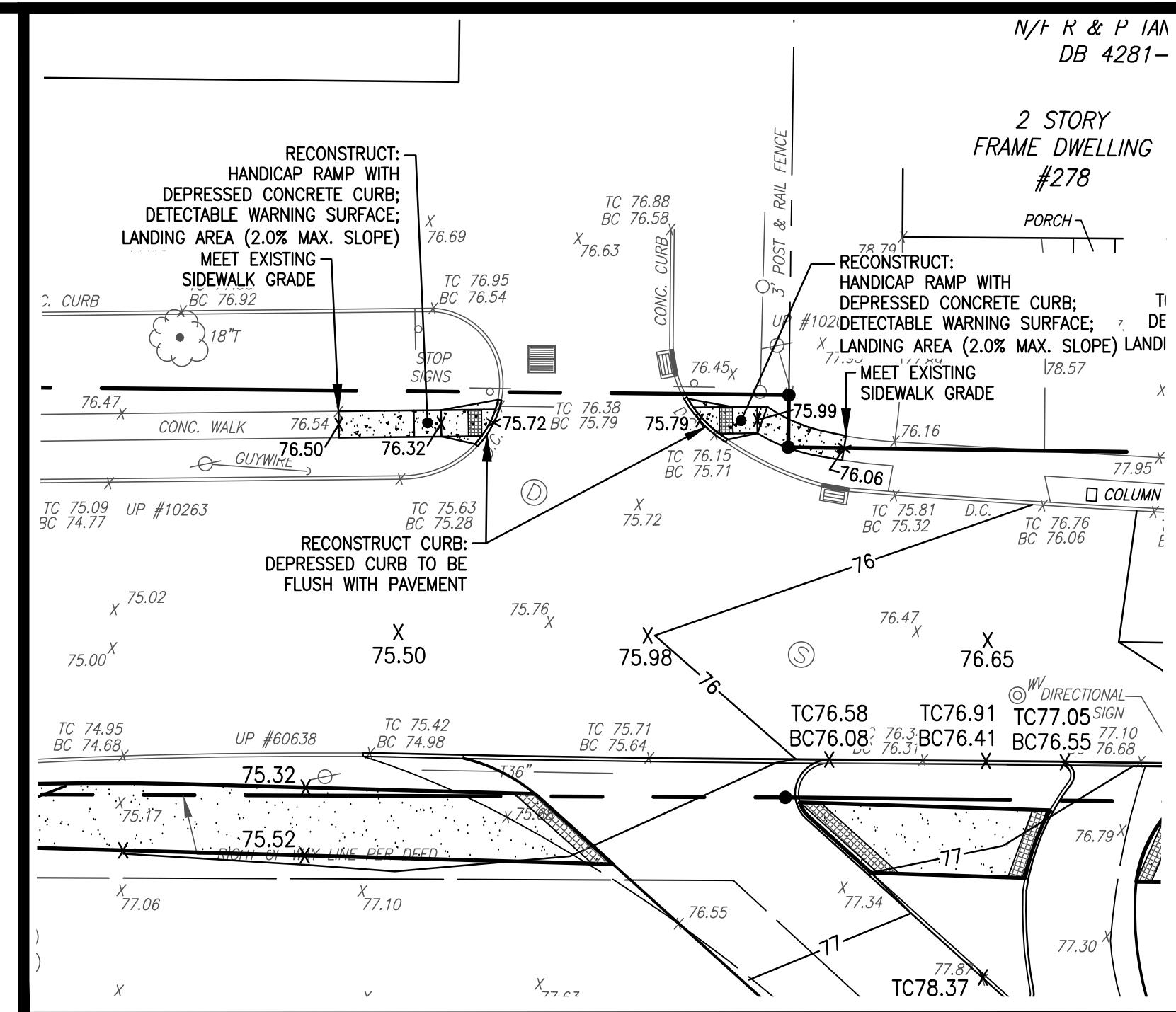
**Grotto ENGINEERING ASSOCIATES, LLC**  
ENGINEERS • PLANNERS • SURVEYORS  
Certificate of Authorization No. 24GA27918300  
340 NORTH AVENUE  
CRANFORD, NEW JERSEY 07016  
908-272-8901 (F) 908-272-8902

REVISIONS	
DATE	DESCRIPTION
09-28-2020	REVISIONS PER TOWNSHIP REVIEW COMMENTS
10-13-2020	REVISIONS PER TOWNSHIP REVIEW COMMENTS
11-16-2020	REVISIONS PER FSCD REVIEW COMMENTS
01-18-2022	REVISIONS PER GEOTECHNICAL REPORT
02-10-2022	REVISIONS PER TOWNSHIP REVIEW COMMENTS

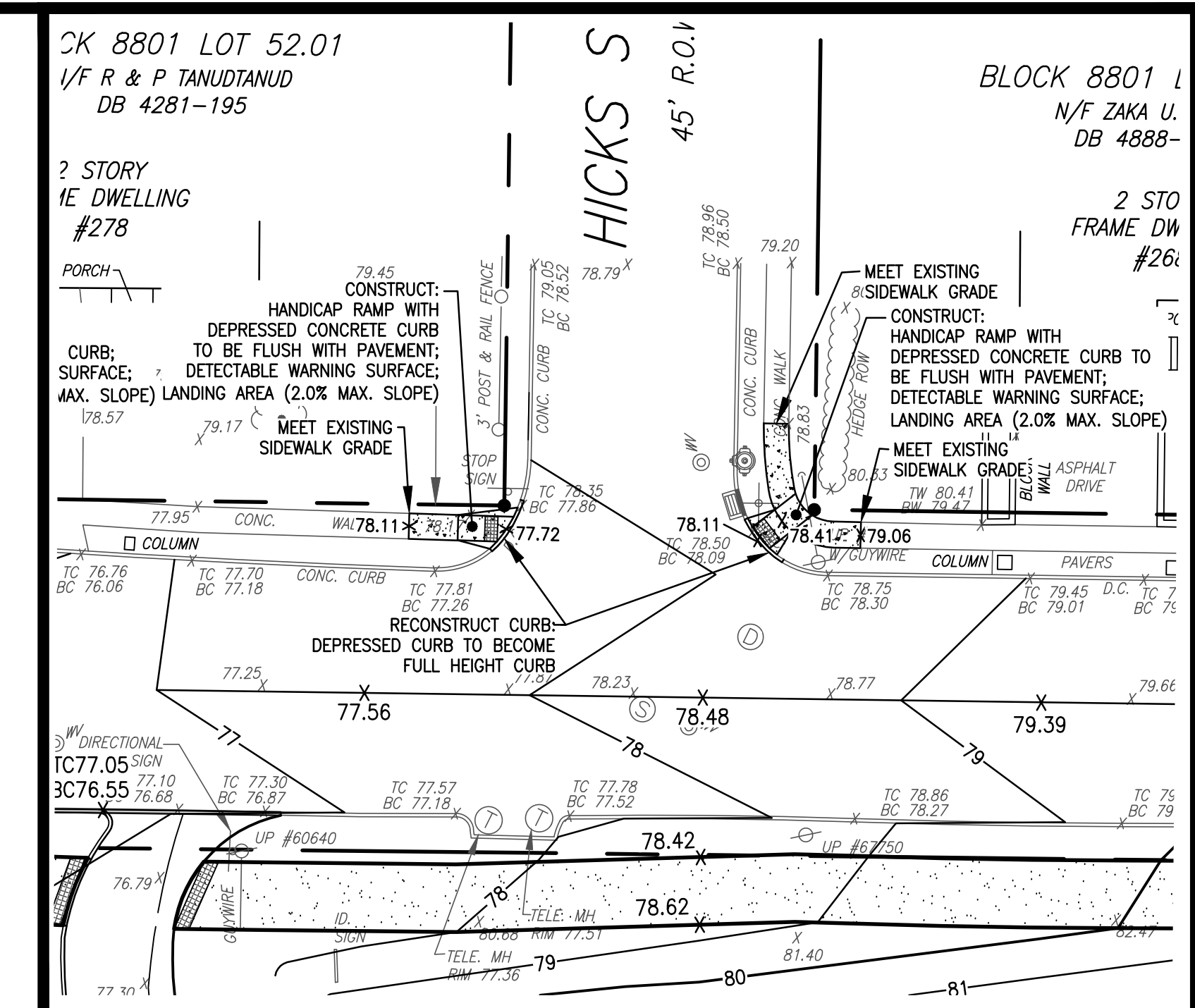
THE OWNER AND CONTRACTOR SHALL HOLD HARMLESS THE ENGINEER FROM AND AGAINST ALL CLAIMS, DAMAGES, LOSSES AND EXPENSES INCLUDING ATTORNEY'S FEES ARISING OUT OF OR RESULTING FROM THE PERFORMANCE OF THE WORK BY THE CONTRACTOR. CHANGES TO THE PLANS BY THE OWNER AND THE CONTRACTOR SHALL BE THE RESPONSIBILITY OF THE PERSONS MAKING SUCH CHANGES. THE CONTRACTOR SHALL CHECK AND VERIFY ALL PLAN DIMENSIONS AND CONDITIONS BEFORE PROCEEDING WITH CONSTRUCTION.

**EDWARD BOGAN** PROFESSIONAL ENGINEER  
N.J. LICENSE NO. 22260  
DATE: 07-01-2020 SCALE: 1"=30' DRAWN: REB CHECKED: FF SHEET: 7 OF 25 JOB: PW-0008

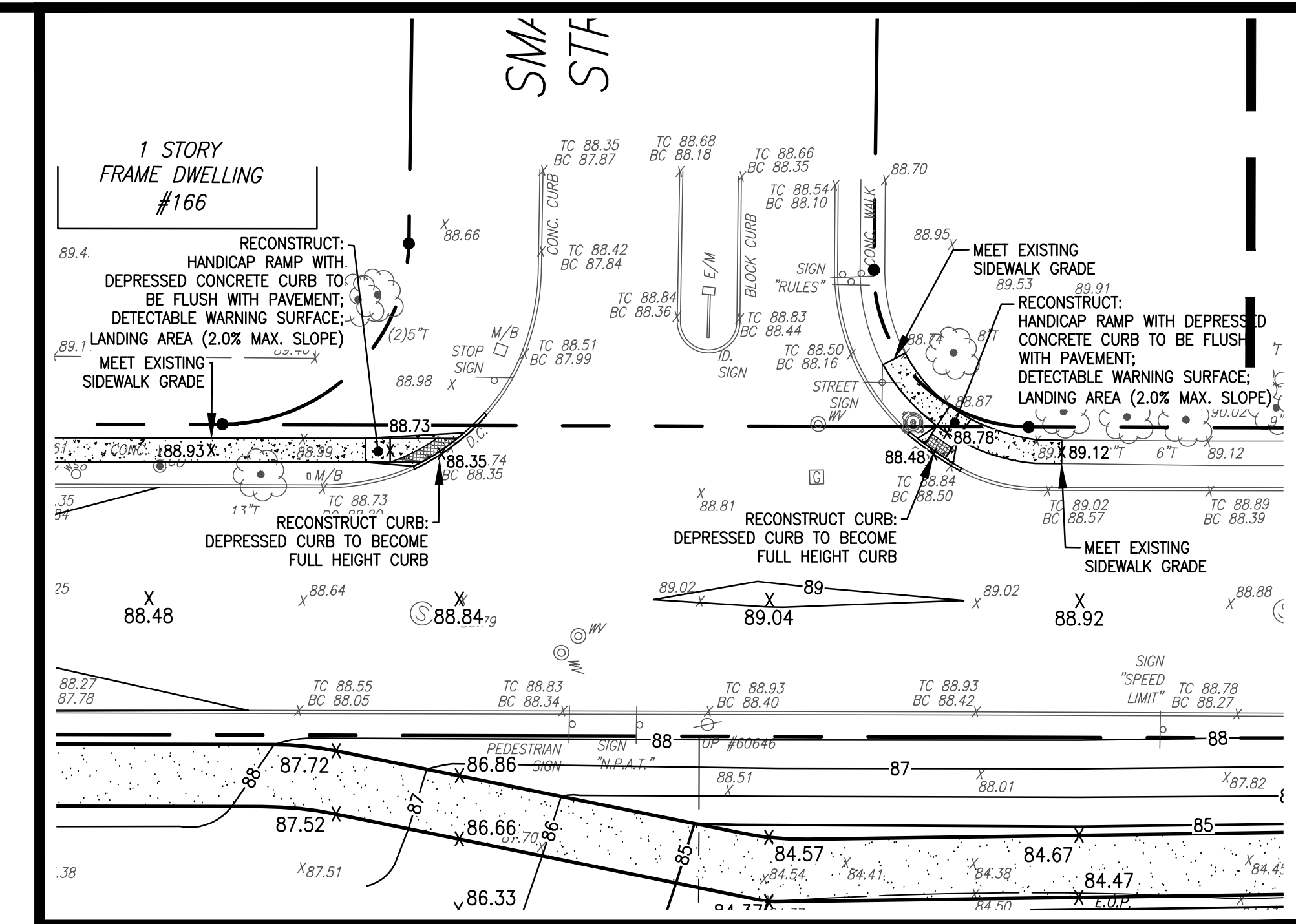
S:\Ethel Road Projects\Access\Sheet\Ethel Road Roadway Improvement Plan 2 - 12.27.22.dwg 2/10/2022



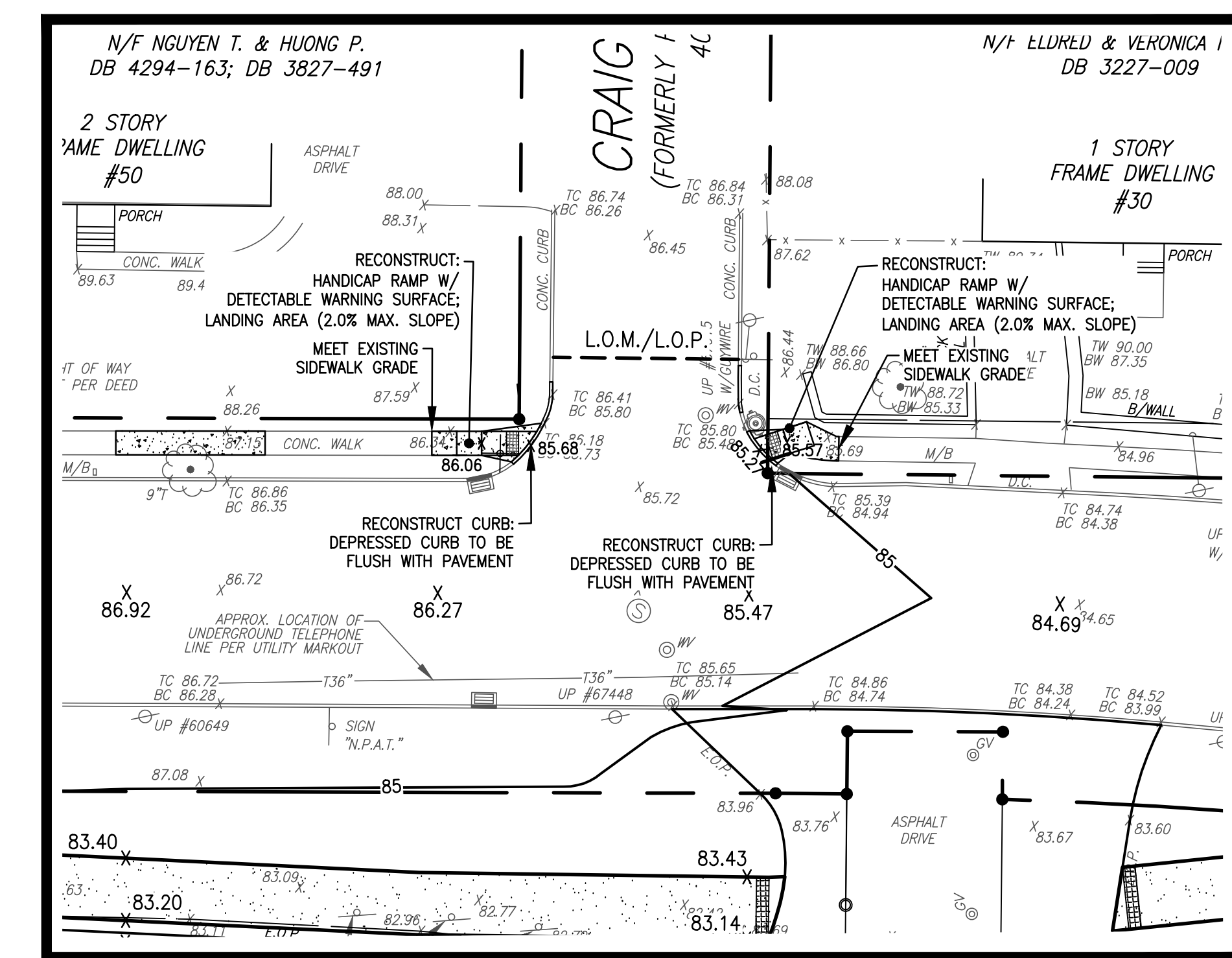
INTERSECTION - ETHEL ROAD/STELTON LANES DRIVEWAY



INTERSECTION - ETHEL ROAD/HICKS STREET



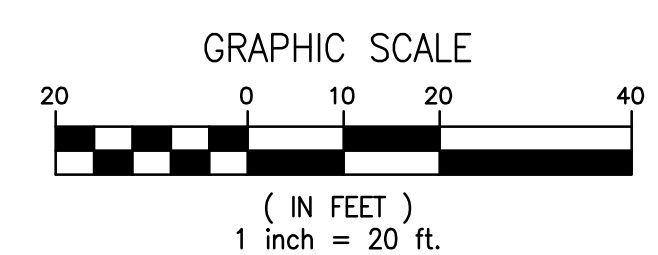
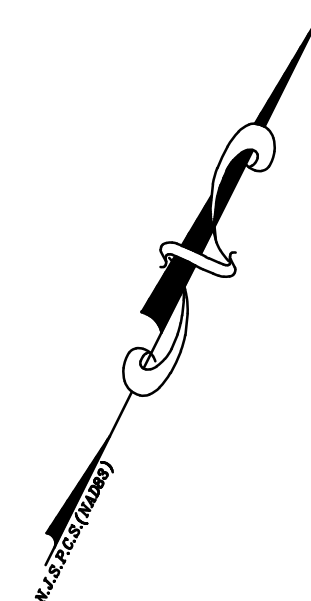
INTERSECTION - ETHEL ROAD/SMALLEY STREET



INTERSECTION - ETHEL ROAD/CRAIG AVENUE

**NOTES:**

1. THIS PLAN HAS BEEN DESIGNED TO MEET THE REQUIREMENTS SET FORTH IN THE US ACCESS BOARD'S GUIDELINES FOR ACCESSIBLE PUBLIC RIGHTS-OF-WAY AND THE US DOJ'S 2010 ADA STANDARDS FOR ACCESSIBLE DESIGN.
2. A.D.A. CURB RAMPS SHALL BE CONSTRUCTED AS PER CURRENT A.D.A. STANDARDS. THE CONTRACTOR SHALL HIRE AN ENGINEER LICENSED IN THE STATE OF NEW JERSEY WHO SHALL APPROVE AND CERTIFY AS-BUILT A.D.A. CURB RAMPS. LICENSED ENGINEER CERTIFIED AS-BUILT PLANS SHALL BE SUBMITTED BY THE CONTRACTOR PRIOR TO FINAL PAYMENT



REVISIONS	
DATE	DESCRIPTION
09-28-2020	REVISIONS PER TOWNSHIP REVIEW COMMENTS
10-13-2020	REVISIONS PER TOWNSHIP REVIEW COMMENTS
11-16-2020	REVISIONS PER FSCD REVIEW COMMENTS
01-18-2022	REVISIONS PER GEOTECHNICAL REPORT
02-10-2022	REVISIONS PER TOWNSHIP REVIEW COMMENTS

THE OWNER AND CONTRACTOR SHALL HOLD HARMLESS THE ENGINEER FROM AND AGAINST ALL CLAIMS, DAMAGES, LOSSES AND EXPENSES INCLUDING ATTORNEY'S FEES ARISING OUT OF OR RESULTING FROM THE PERFORMANCE OF THE WORK BY THE CONTRACTOR. CHANGES TO THE PLANS BY THE OWNER AND THE CONTRACTOR SHALL BE THE RESPONSIBILITY OF THE PERSONS MAKING SUCH CHANGES. THE CONTRACTOR SHALL CHECK AND VERIFY ALL PLAN DIMENSIONS AND CONDITIONS BEFORE PROCEEDING WITH CONSTRUCTION.

**HANDICAP RAMP DETAILS**

**ETHEL ROAD ROADWAY IMPROVEMENTS  
STELTON ROAD TO THE MUNICIPAL BORDER**

SITUATED IN  
TOWNSHIP OF PISCATAWAY  
MIDDLESEX COUNTY, NEW JERSEY

**Grotto Engineering Associates, LLC**  
ENGINEERS • PLANNERS • SURVEYORS

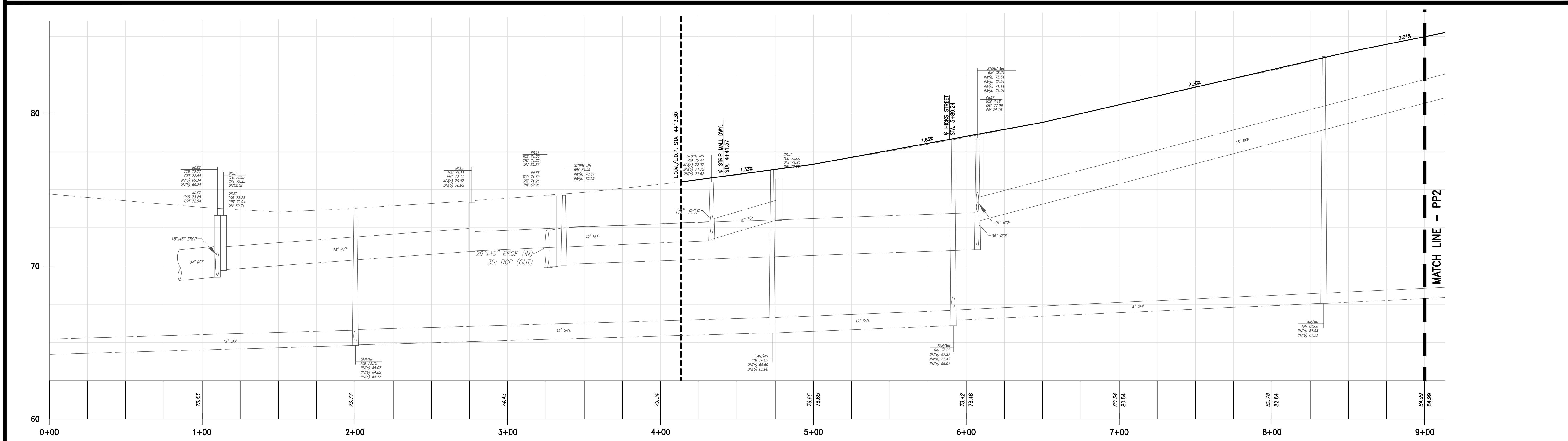
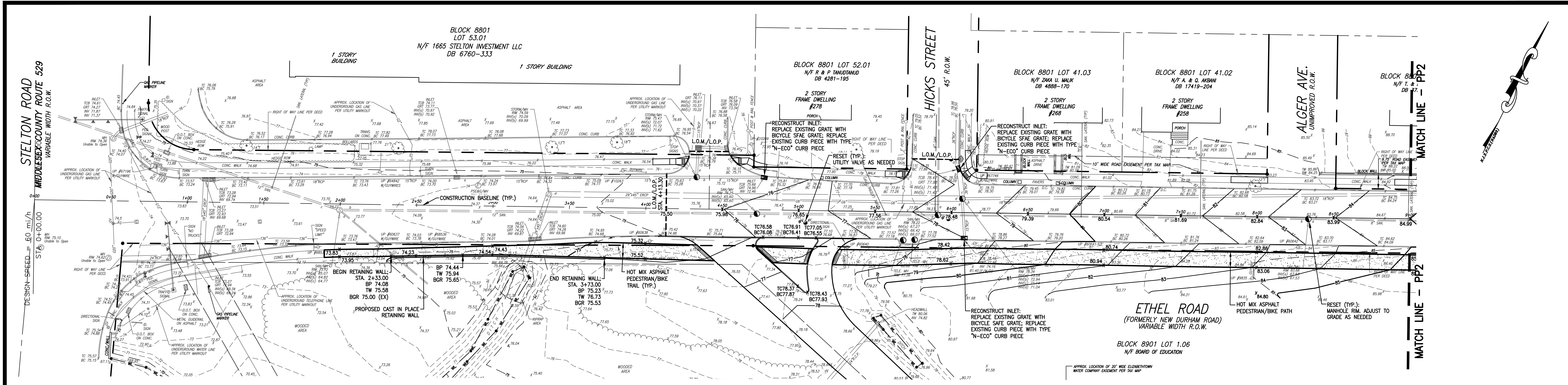
Certificate of Authorization No. 24GA27918300  
340 NORTH AVENUE  
CRANFORD, NEW JERSEY 07016  
908-272-8901 (F) 908-272-8902

**EDWARD BOGAN** PROFESSIONAL ENGINEER  
N.J. LICENSE NO. 22260

DATE: 07-01-2020 SCALE: 1"=20' DRAWN: REB CHECKED: FF SHEET: 8 OF 25 JOB: PW-0008

S:\Grotto Road Projects\Facility\Sheet\Ethel Road Road Improvement Plan D - 12.22.20.dwg 2/10/2022

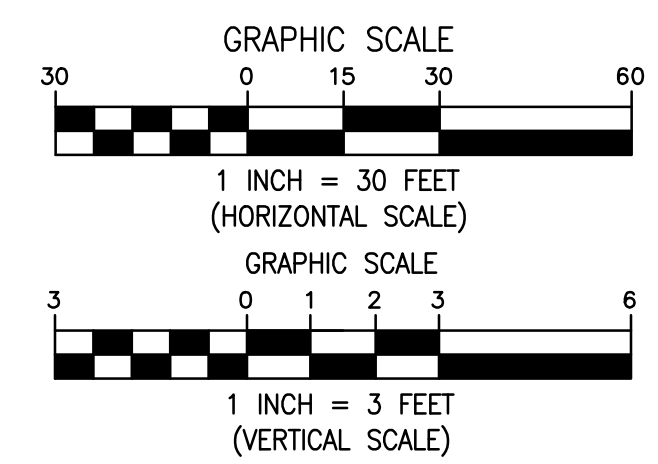




ROADWAY PLAN AND PROFILE - 1 (STA. 0+00 TO STA. 9+00)

**NOTES:**  
 1. STORM SEWER PIPE TO BE CLASS III UNLESS OTHERWISE SPECIFIED.

**LEGEND**  
 BP - BACK OF PATH  
 TW - TOP OF WALL  
 BGR - BOTTOM OF WALL AT EXISTING GRADE



REVISIONS	
DATE	DESCRIPTION
09-28-2020	REVISIONS PER TOWNSHIP REVIEW COMMENTS
10-13-2020	REVISIONS PER TOWNSHIP REVIEW COMMENTS
11-16-2020	REVISIONS PER FSCD REVIEW COMMENTS
01-18-2022	REVISIONS PER GEOTECHNICAL REPORT
02-10-2022	REVISIONS PER TOWNSHIP REVIEW COMMENTS

THE OWNER AND CONTRACTOR SHALL HOLD HARMLESS THE ENGINEER FROM AND AGAINST ALL CLAIMS, DAMAGES, LOSSES AND EXPENSES INCLUDING ATTORNEY'S FEES ARISING OUT OF OR RESULTING FROM THE PERFORMANCE OF THE WORK BY THE CONTRACTOR. CHANGES TO THE PLANS BY THE OWNER AND THE CONTRACTOR SHALL BE THE RESPONSIBILITY OF THE PERSONS MAKING SUCH CHANGES. THE CONTRACTOR SHALL CHECK AND VERIFY ALL PLAN DIMENSIONS AND CONDITIONS BEFORE PROCEEDING WITH CONSTRUCTION.

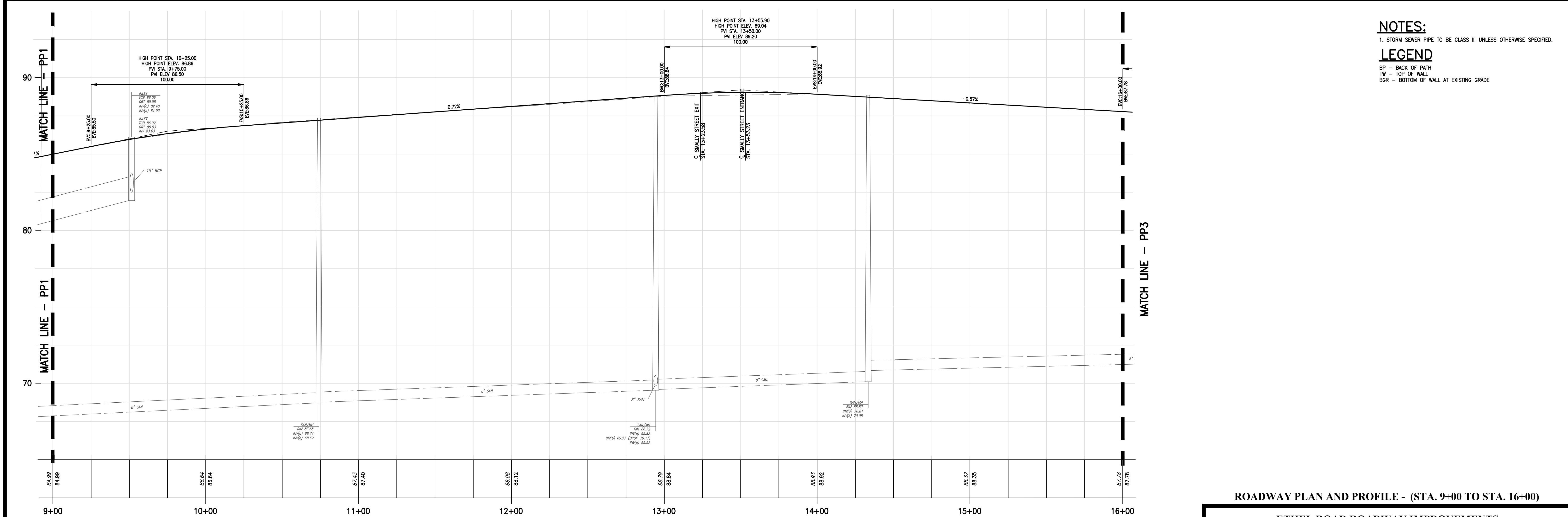
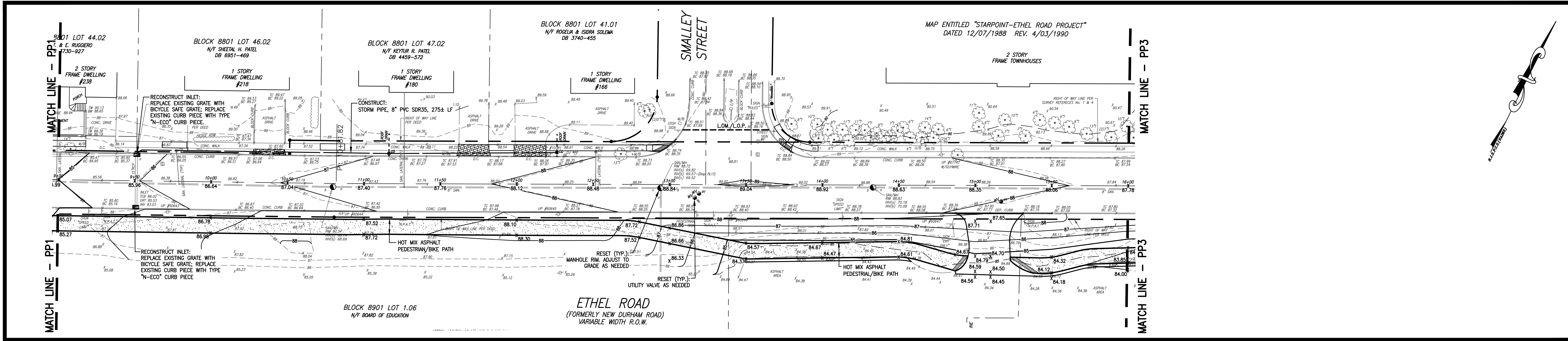
**ETHEL ROAD ROADWAY IMPROVEMENTS**  
**STELTON ROAD TO THE MUNICIPAL BORDER**

SITUATED IN  
 TOWNSHIP OF PISCATAWAY  
 MIDDLESEX COUNTY, NEW JERSEY

**Grotto Engineering Associates, LLC**  
 ENGINEERS • PLANNERS • SURVEYORS  
 Certificate of Authorization No. 24GA27918300  
 340 NORTH AVENUE  
 CRANFORD, NEW JERSEY 07016  
 908-272-8901 (F) 908-272-8902

**EDWARD BOGAN** PROFESSIONAL ENGINEER  
 N.J. LICENSE NO. 22260

DATE: 07-01-2020 SCALE: 1/8"=1'-0" DRAWN: REB CHECKED: FF SHEET: 9 OF 25 JOB: PW-0008



**NOTES:**  
 1. STORM SEWER PIPE TO BE CLASS III UNLESS OTHERWISE SPECIFIED.

**LEGEND**  
 BP - BACK OF PATH  
 TW - TOP OF WALL  
 BGR - BOTTOM OF WALL AT EXISTING GRADE

**ROADWAY PLAN AND PROFILE - (STA. 9+00 TO STA. 16+00)**

**ETHEL ROAD ROADWAY IMPROVEMENTS  
 STELTON ROAD TO THE MUNICIPAL BORDER**

SITUATED IN  
 TOWNSHIP OF PISCATAWAY  
 MIDDLESEX COUNTY, NEW JERSEY

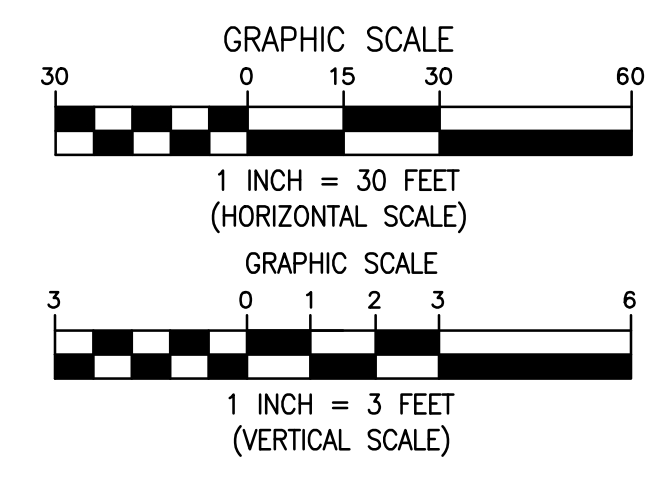
**Grotto Engineering Associates, LLC**  
 ENGINEERS • PLANNERS • SURVEYORS  
 Certificate of Authorization No. 24GA27918300  
 340 NORTH AVENUE  
 CRANFORD, NEW JERSEY 07016  
 908-272-8901 (F) 908-272-8902

**EDWARD BOGAN** PROFESSIONAL ENGINEER  
 N.J. LICENSE NO. 22260

DATE: 07-01-2020 SCALE: HORIZ. 1"=30' VERT. 1"=3' DRAWN: REB CHECKED: FF SHEET: 10 OF 25 JOB: PW-0008

REVISIONS	
DATE	DESCRIPTION
09-28-2020	REVISIONS PER TOWNSHIP REVIEW COMMENTS
10-13-2020	REVISIONS PER TOWNSHIP REVIEW COMMENTS
11-16-2020	REVISIONS PER FSCD REVIEW COMMENTS
01-18-2022	REVISIONS PER GEOTECHNICAL REPORT
02-10-2022	REVISIONS PER TOWNSHIP REVIEW COMMENTS

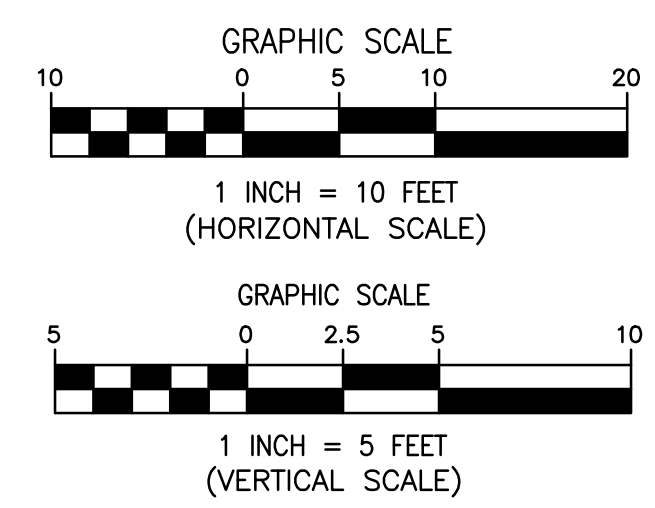
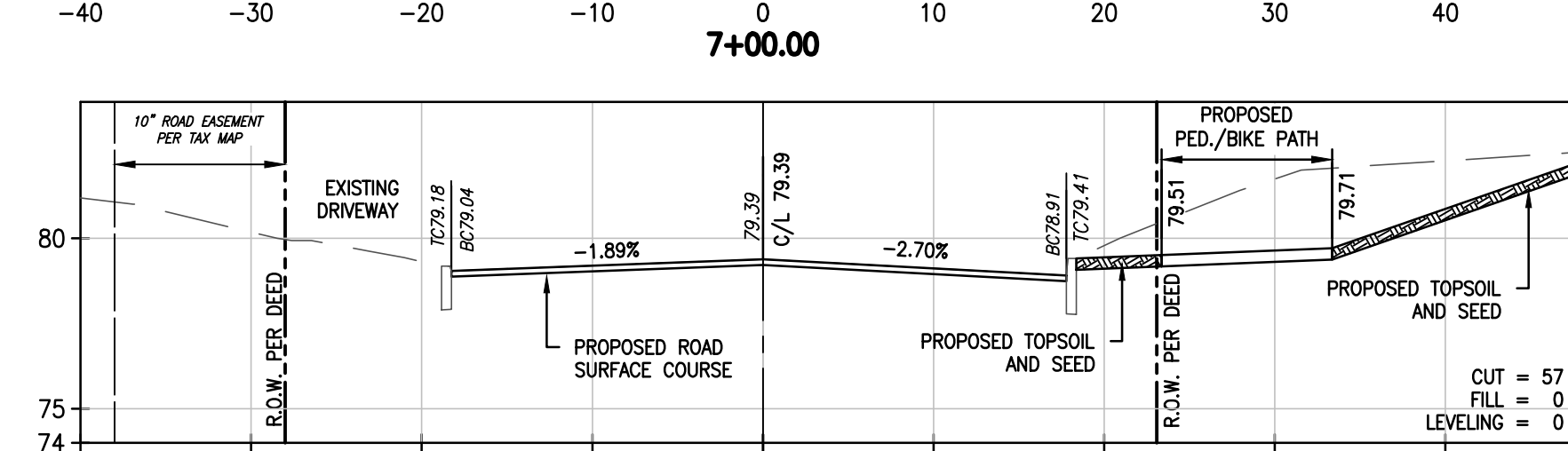
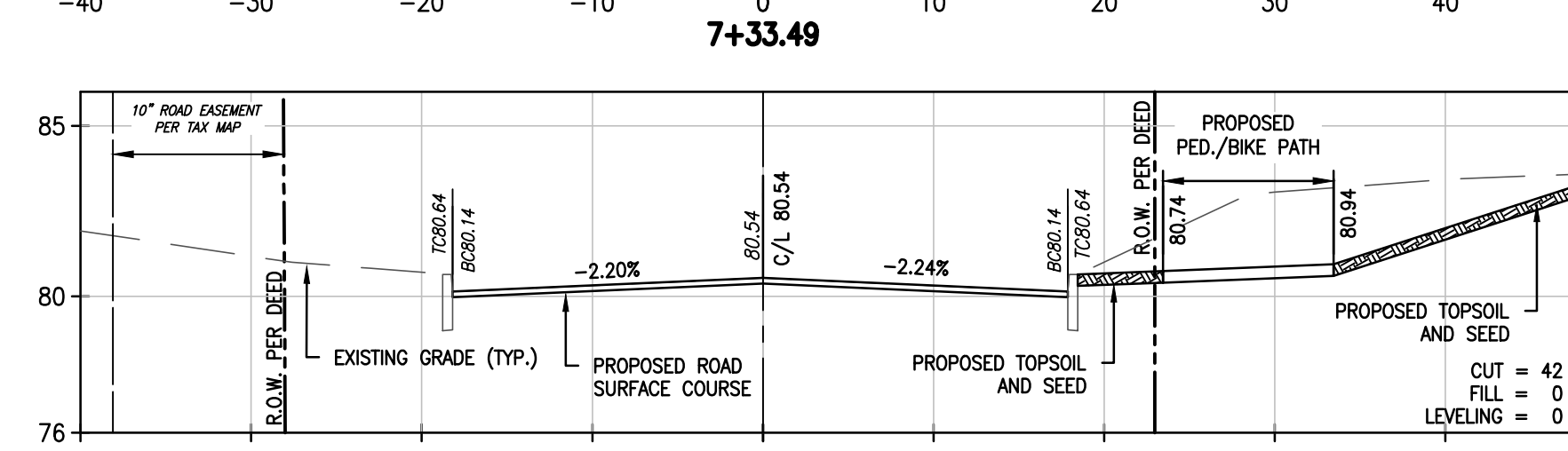
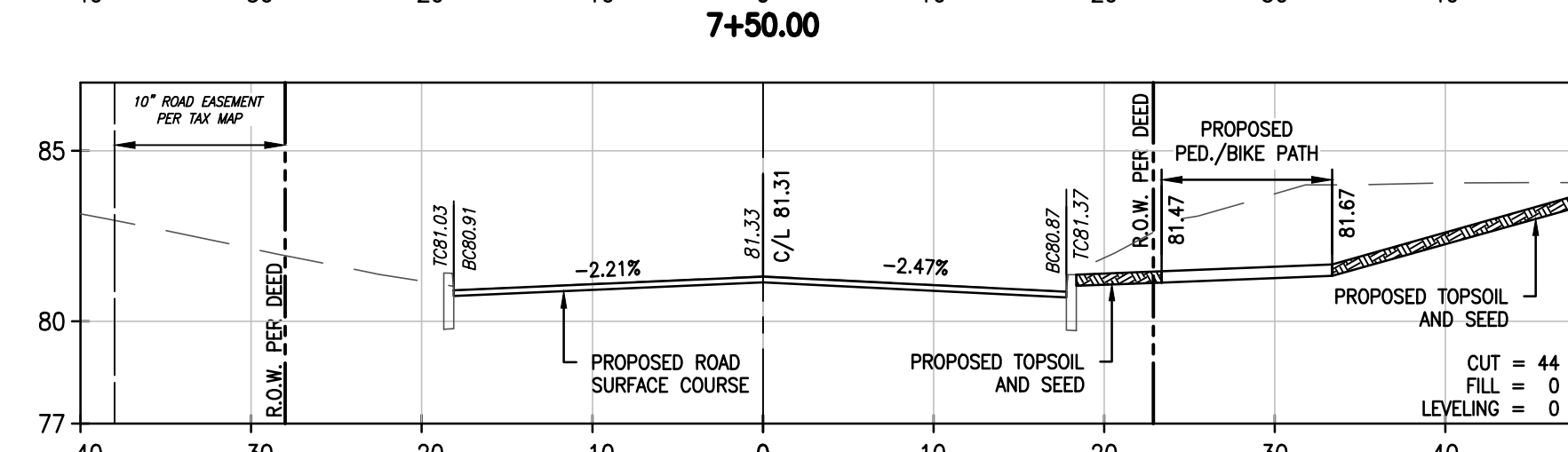
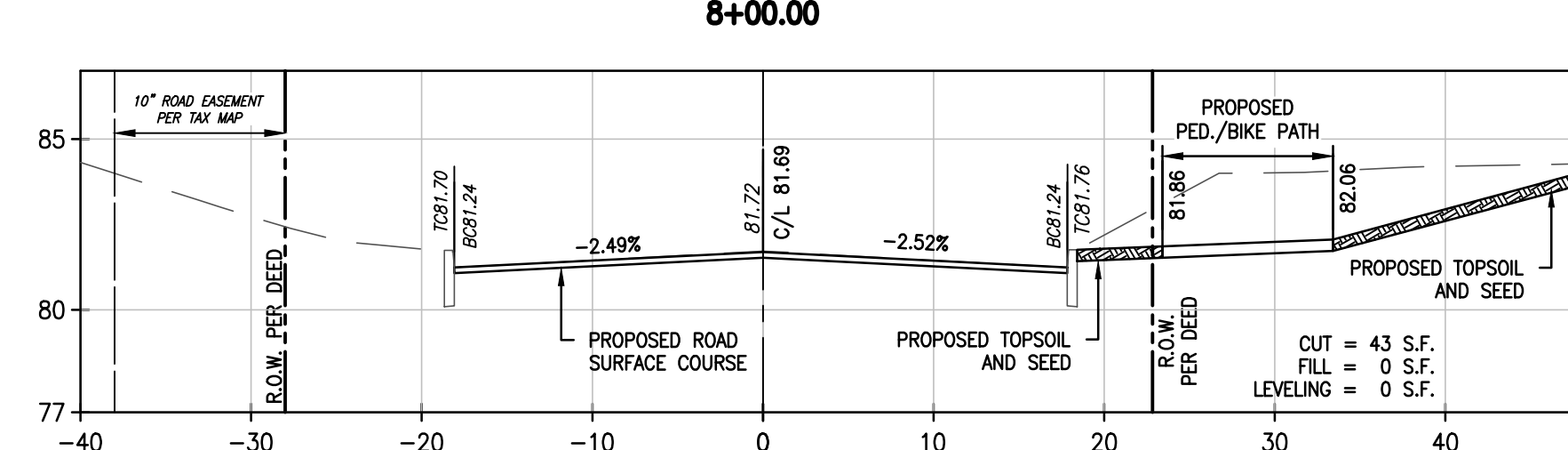
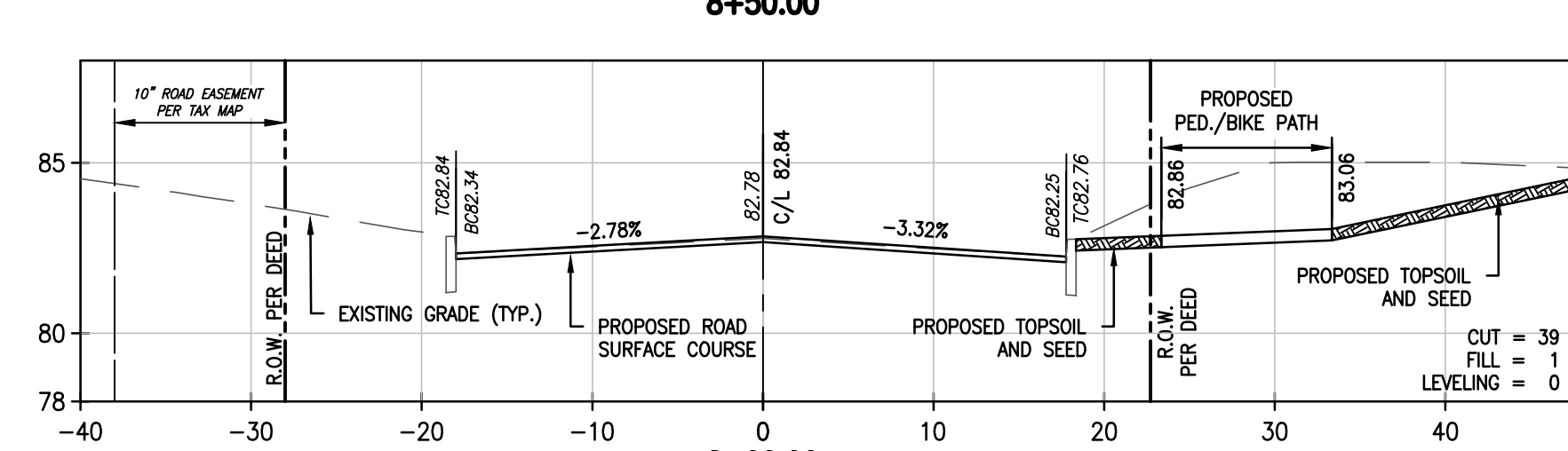
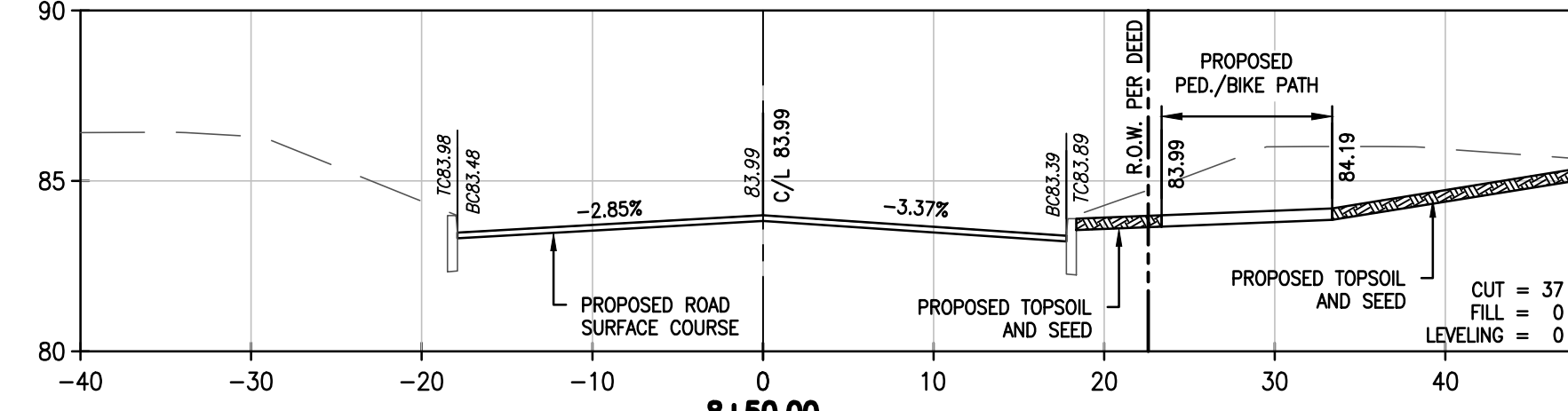
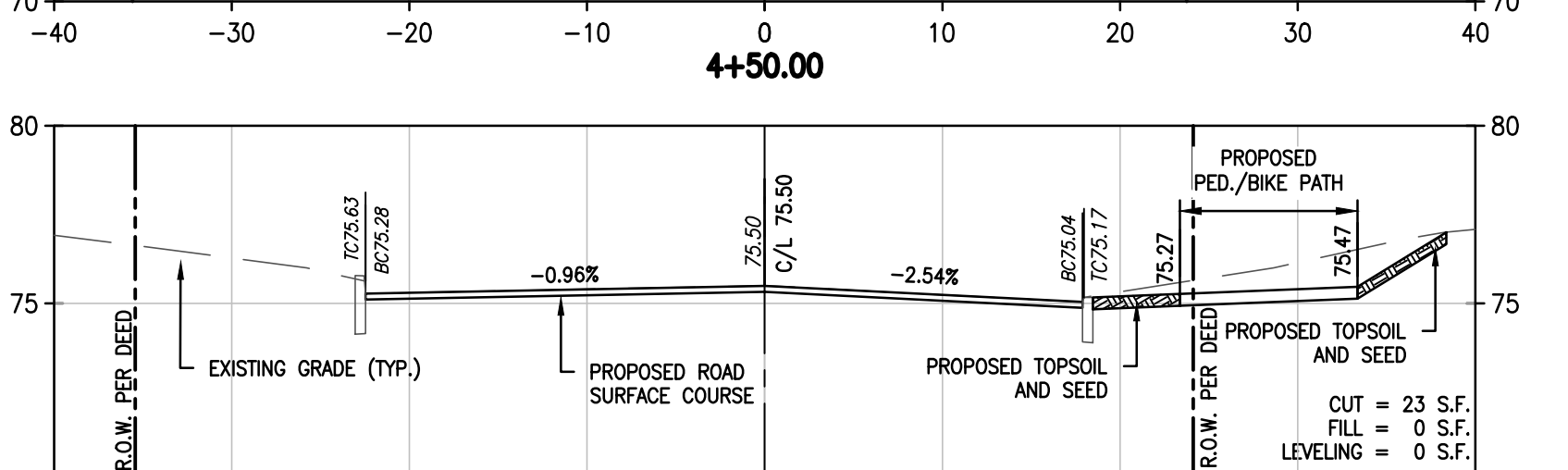
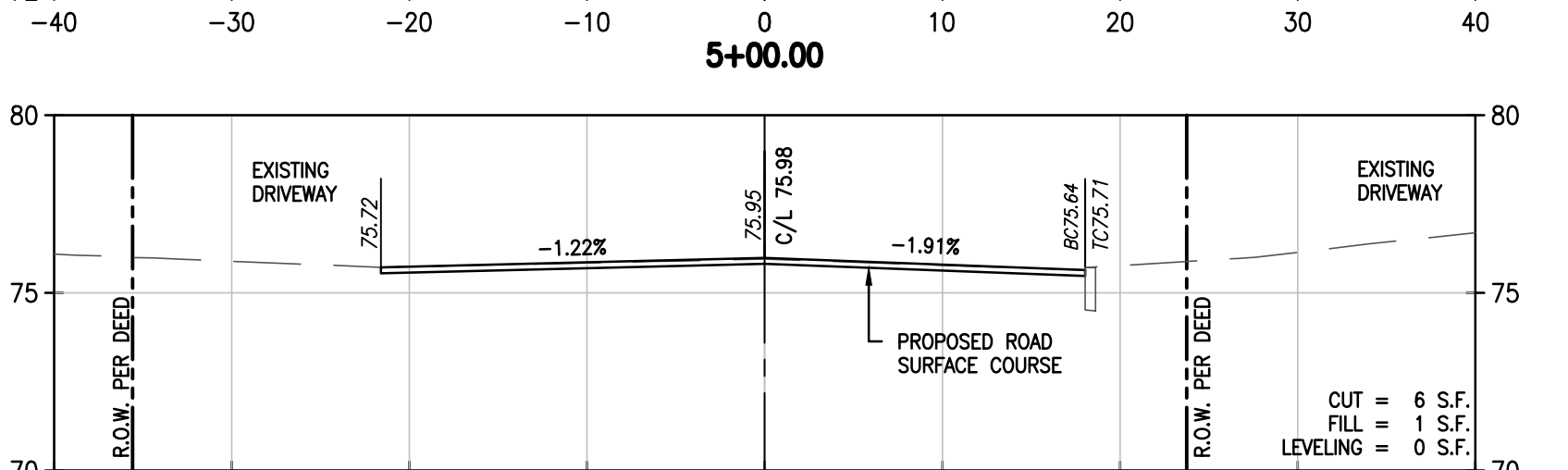
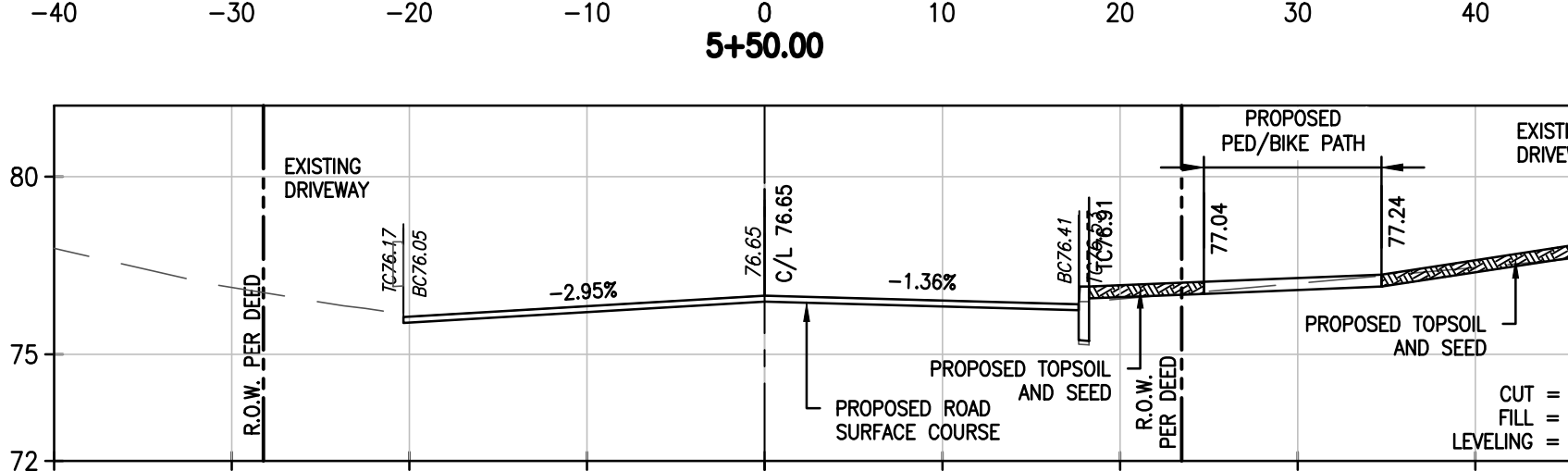
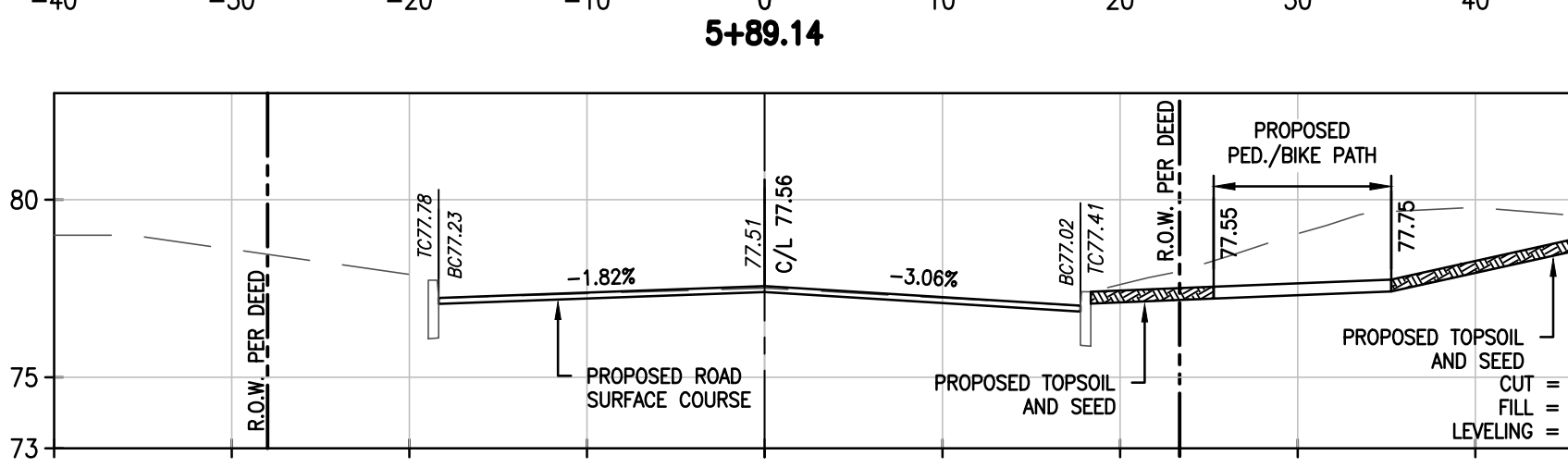
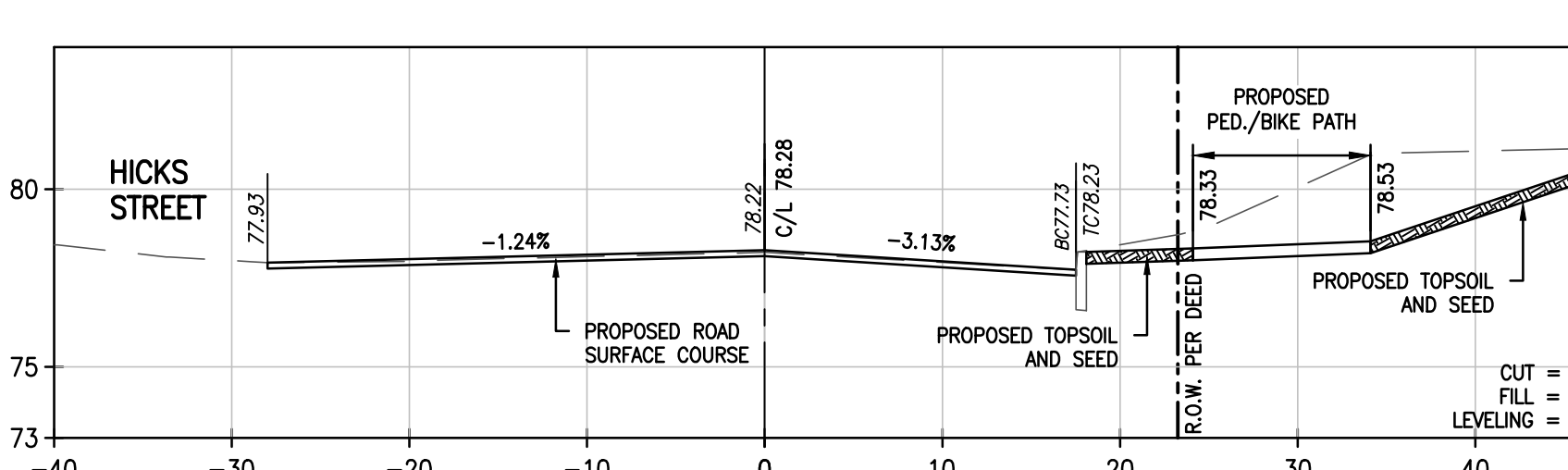
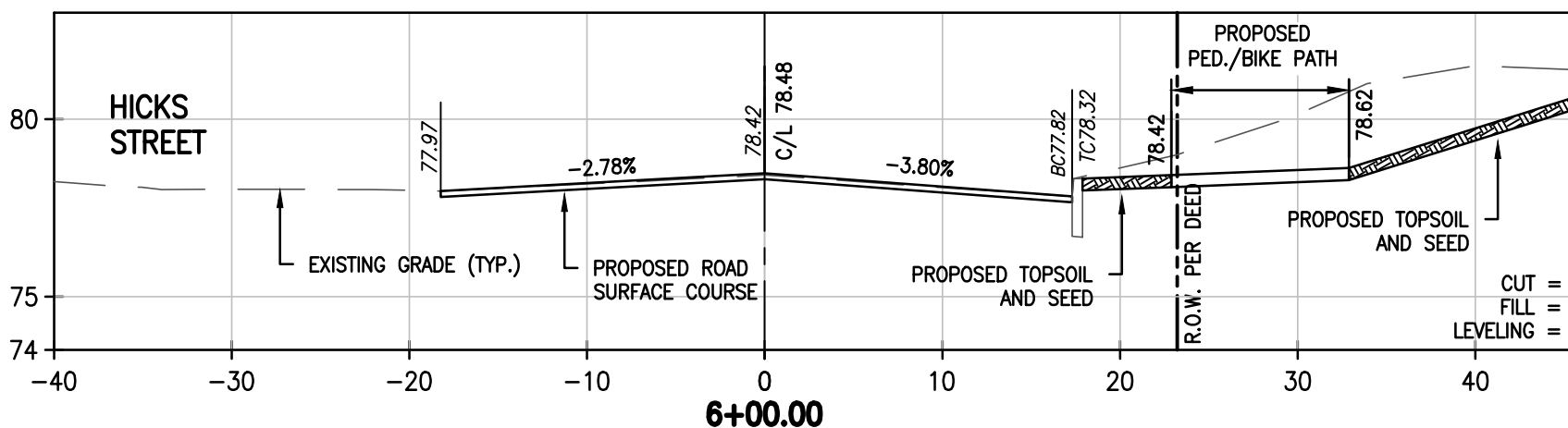
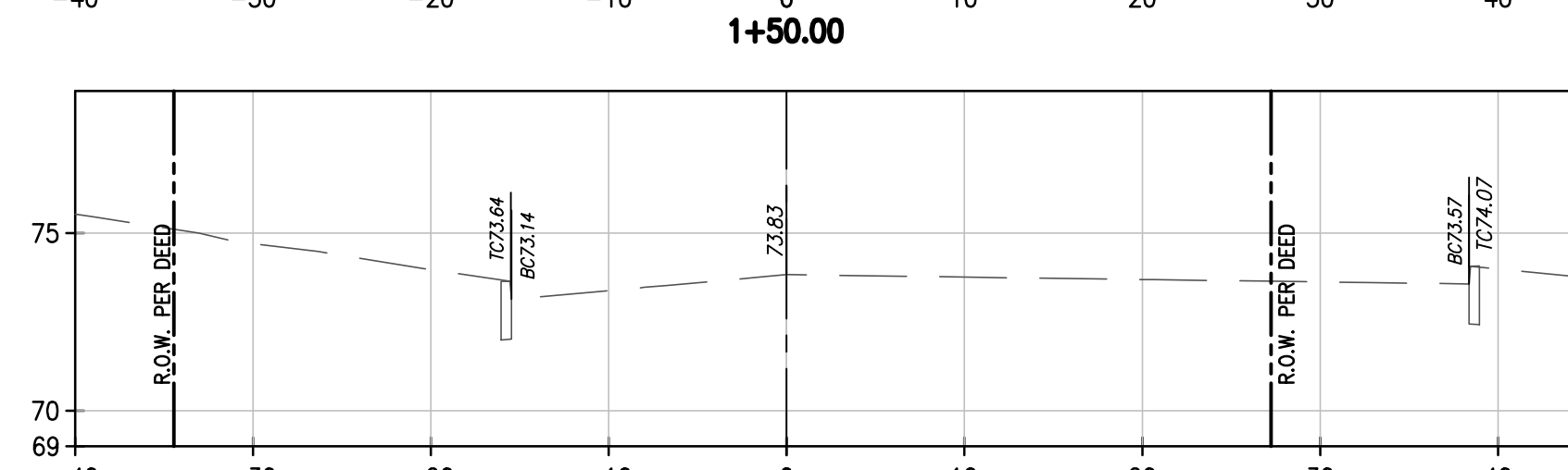
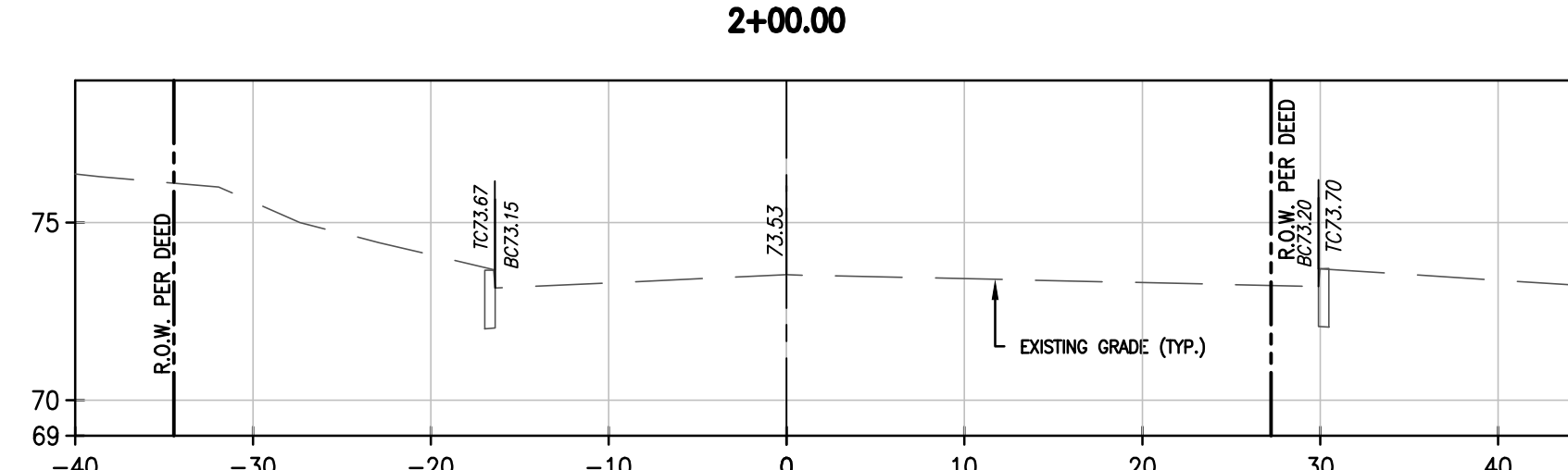
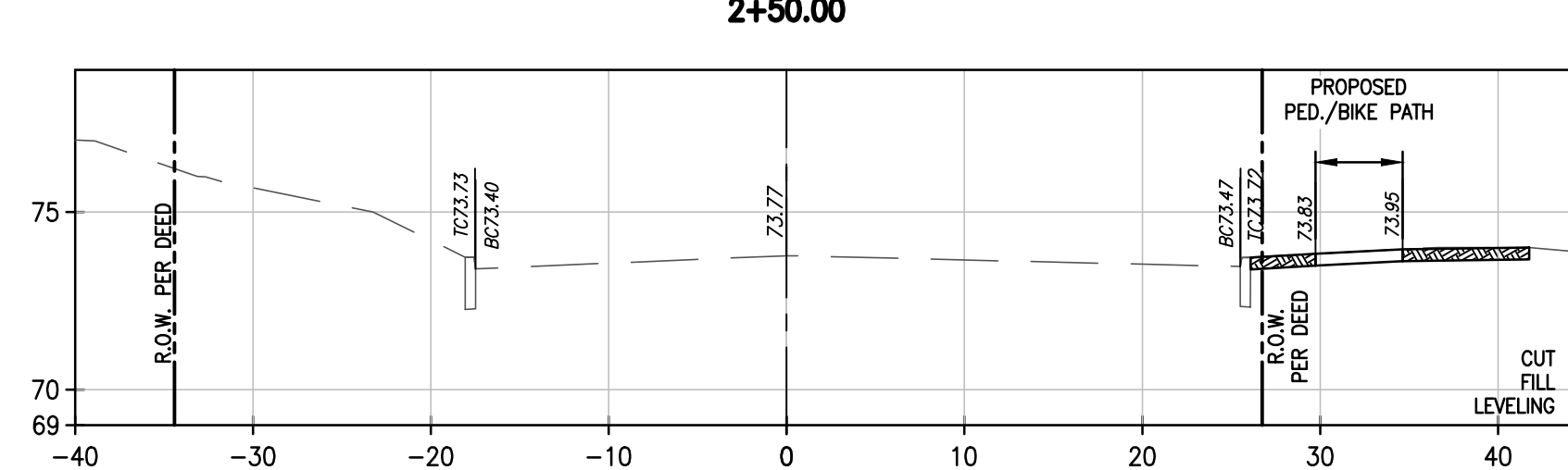
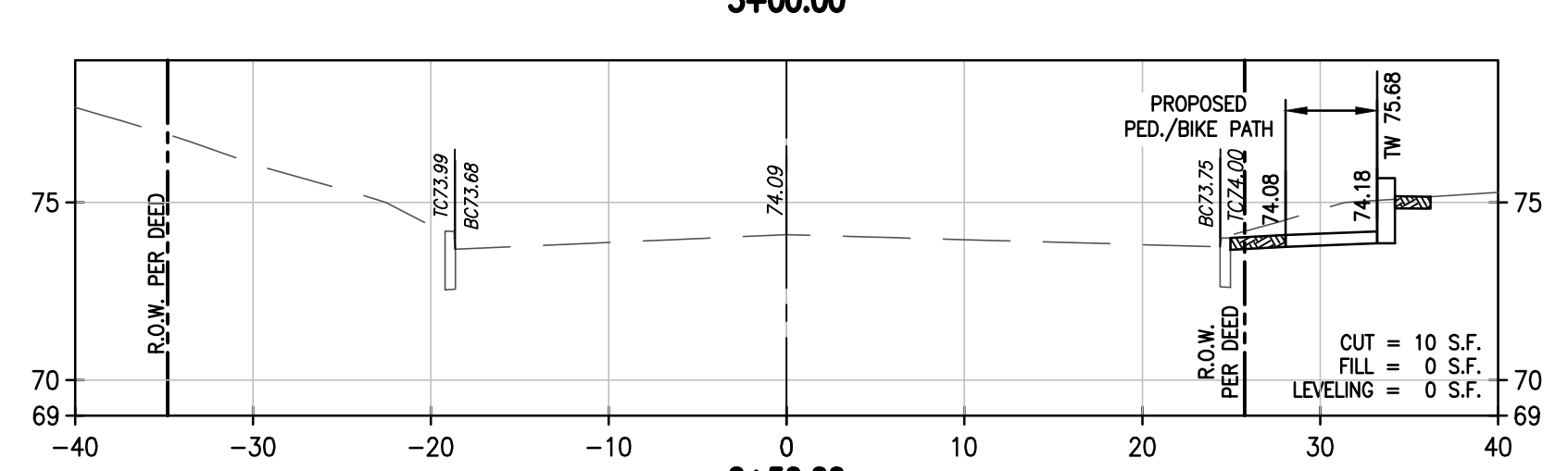
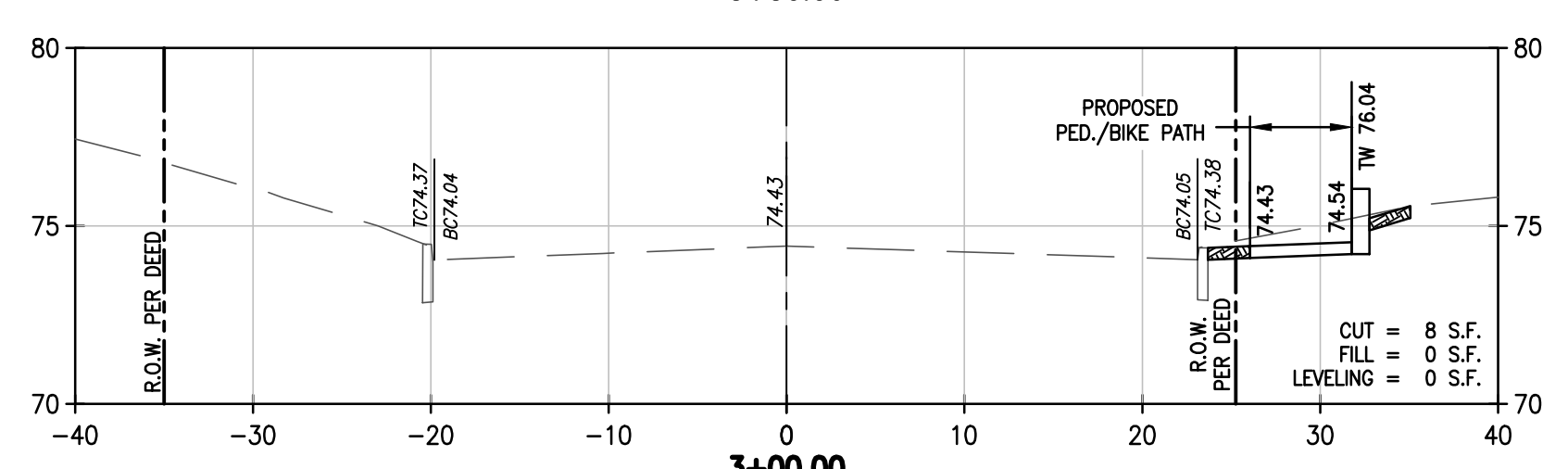
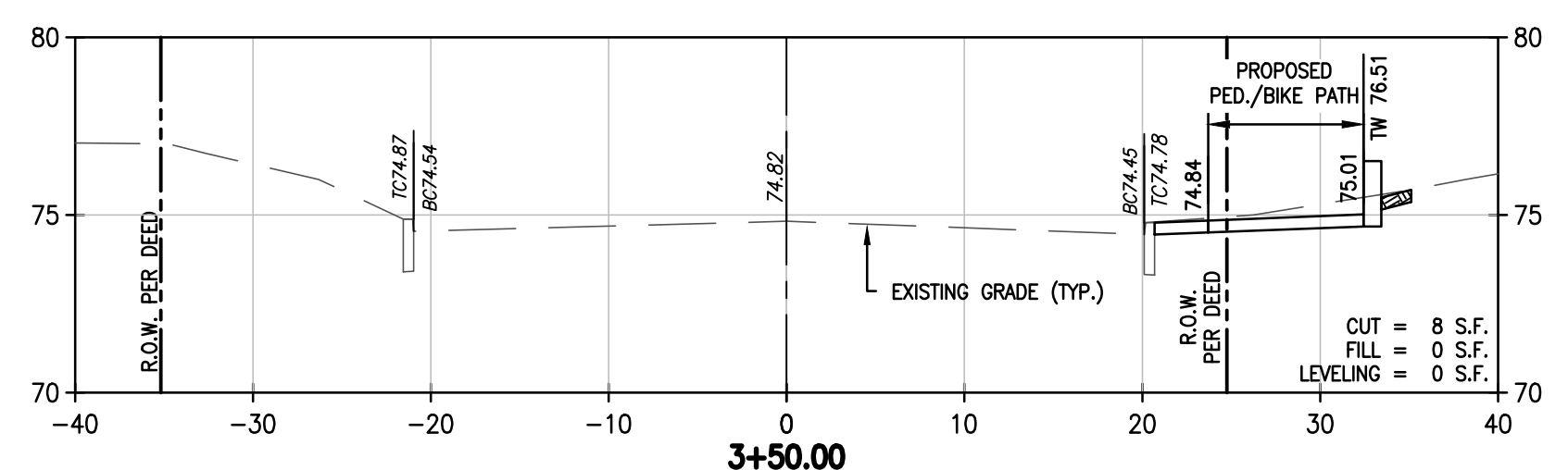
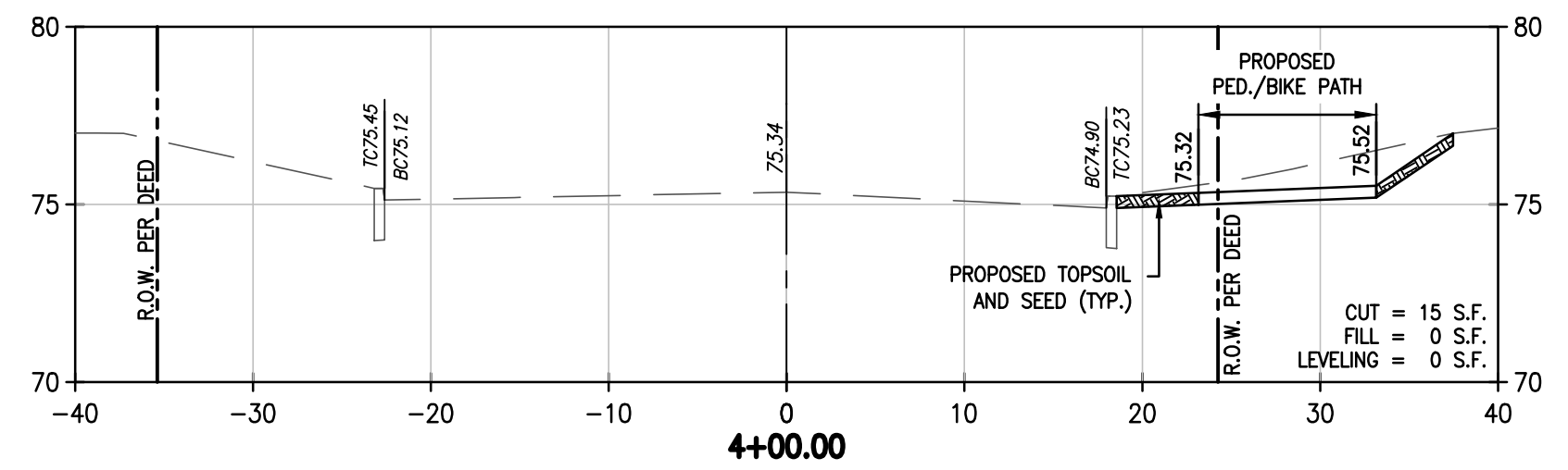
THE OWNER AND CONTRACTOR SHALL HOLD HARMLESS THE ENGINEER FROM AND AGAINST ALL CLAIMS, DAMAGES, LOSSES AND EXPENSES INCLUDING ATTORNEY'S FEES ARISING OUT OF OR RESULTING FROM THE PERFORMANCE OF THE WORK BY THE CONTRACTOR. CHANGES TO THE PLANS BY THE OWNER AND THE CONTRACTOR SHALL BE THE RESPONSIBILITY OF THE PERSONS MAKING SUCH CHANGES. THE CONTRACTOR SHALL CHECK AND VERIFY ALL PLAN DIMENSIONS AND CONDITIONS BEFORE PROCEEDING WITH CONSTRUCTION.



S:\Grotto Road Projects\piscataway\Sheet\Ethel Road Roadway Improvement Plan D - 1:27:22.dwg 7/10/2022







REVISIONS	
DATE	DESCRIPTION
09-28-2020	REVISIONS PER TOWNSHIP REVIEW COMMENTS
10-13-2020	REVISIONS PER TOWNSHIP REVIEW COMMENTS
11-16-2020	REVISIONS PER FSCD REVIEW COMMENTS
01-18-2022	REVISIONS PER GEOTECHNICAL REPORT
02-10-2022	REVISIONS PER TOWNSHIP REVIEW COMMENTS

THE OWNER AND CONTRACTOR SHALL HOLD HARMLESS THE ENGINEER FROM AND AGAINST ALL CLAIMS, DAMAGES, LOSSES AND EXPENSES INCLUDING ATTORNEY'S FEES ARISING OUT OF OR RESULTING FROM THE PERFORMANCE OF THE WORK BY THE CONTRACTOR. CHANGES TO THE PLANS BY THE OWNER AND THE CONTRACTOR SHALL BE THE RESPONSIBILITY OF THE PERSONS MAKING SUCH CHANGES. THE CONTRACTOR SHALL CHECK AND VERIFY ALL PLAN DIMENSIONS AND CONDITIONS BEFORE PROCEEDING WITH CONSTRUCTION.

ROADWAY CROSS SECTIONS - 1 (STA. 1+00 TO STA. 8+50.00)

ETHEL ROAD ROADWAY IMPROVEMENTS  
STELTON ROAD TO THE MUNICIPAL BORDER

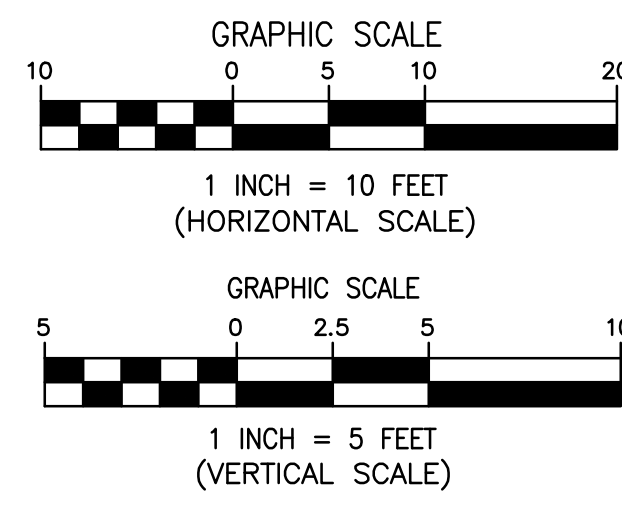
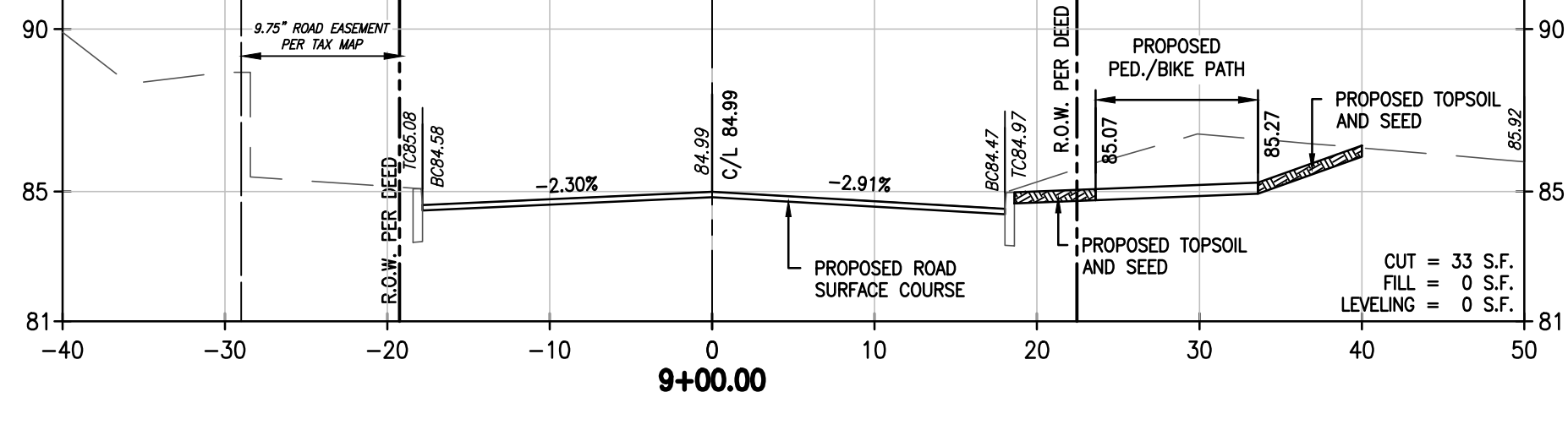
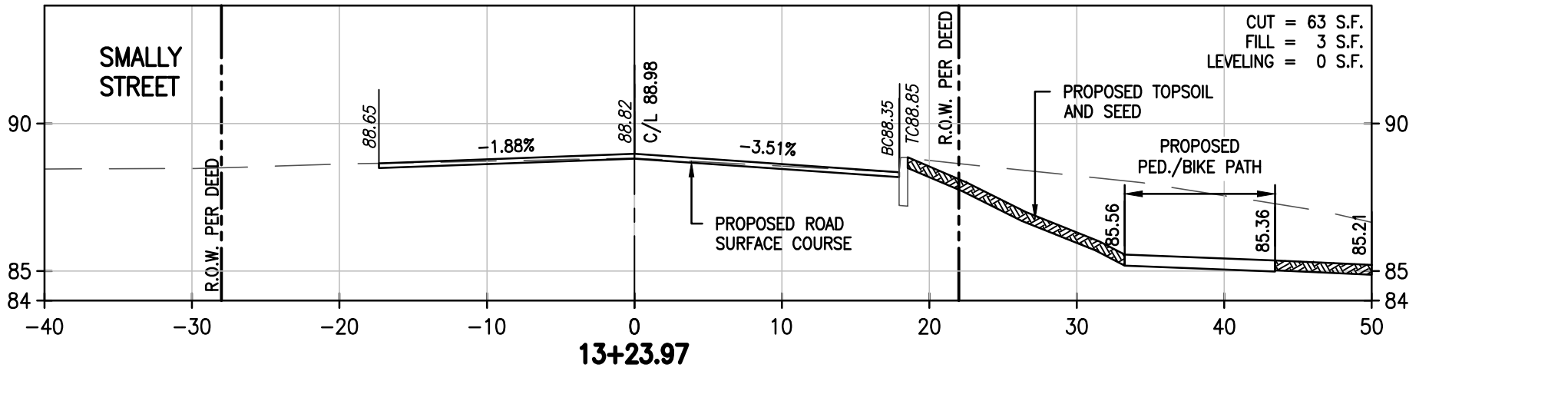
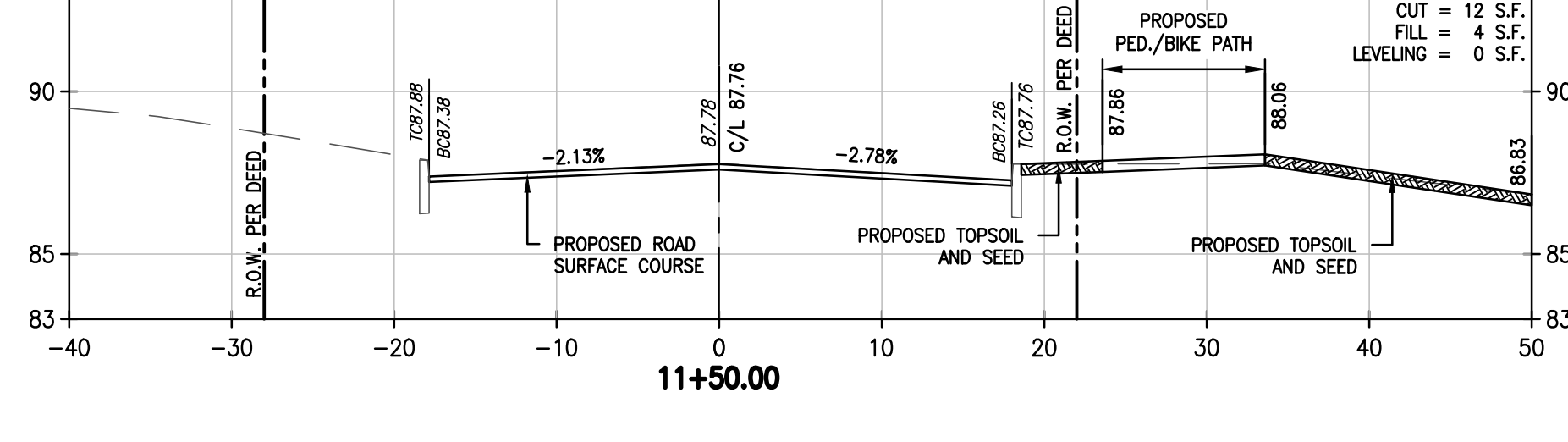
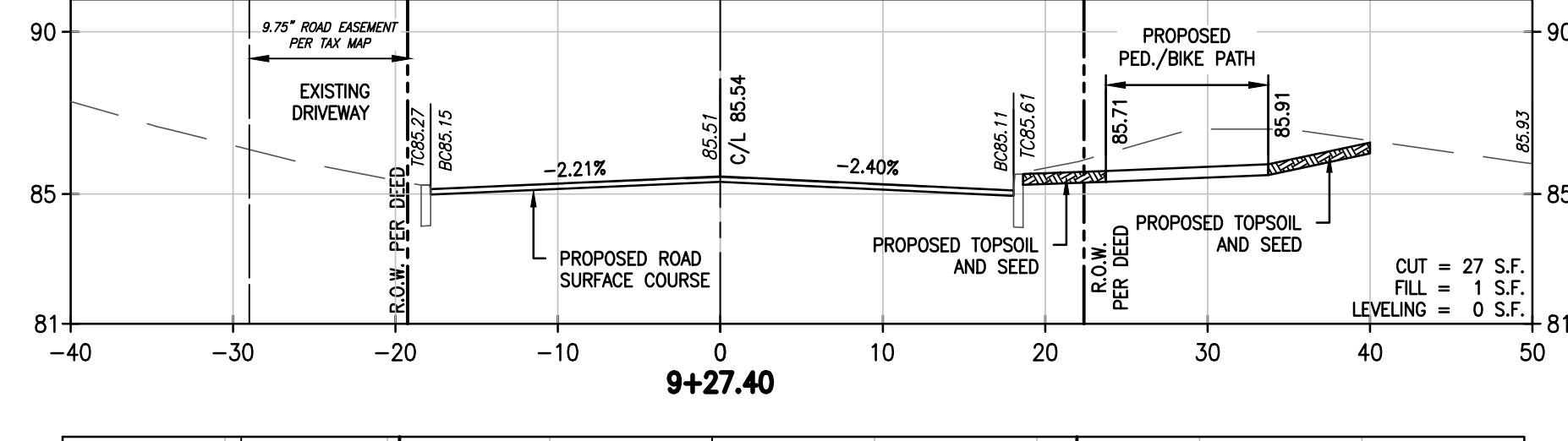
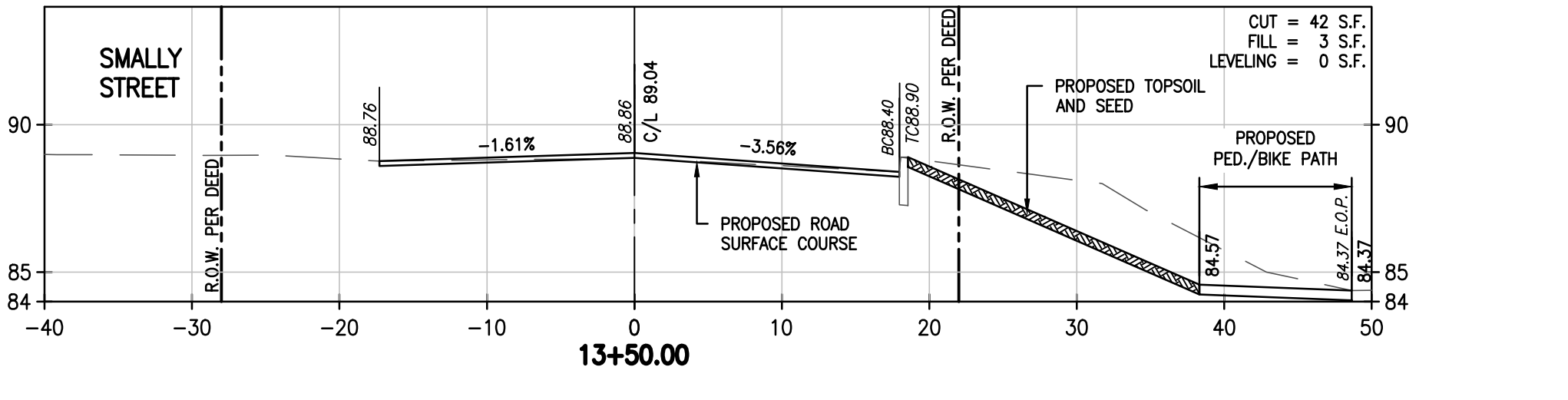
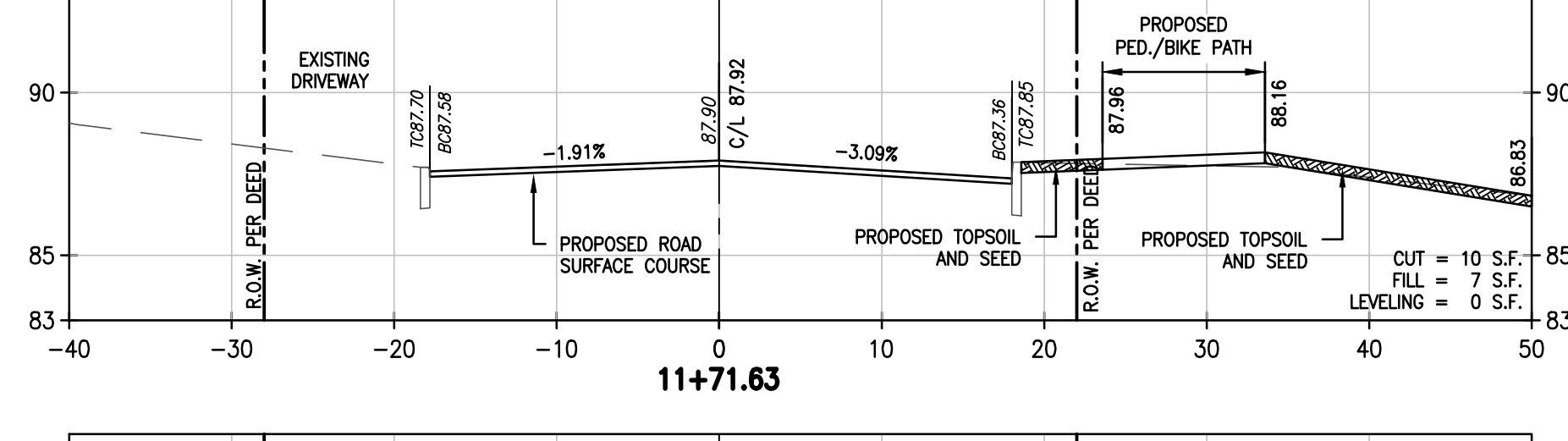
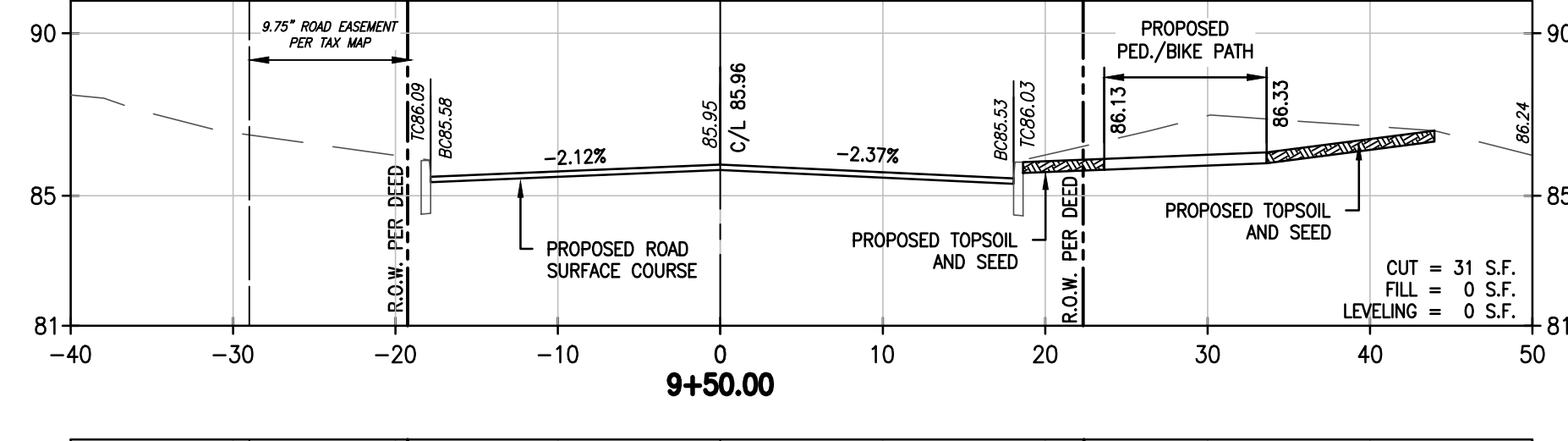
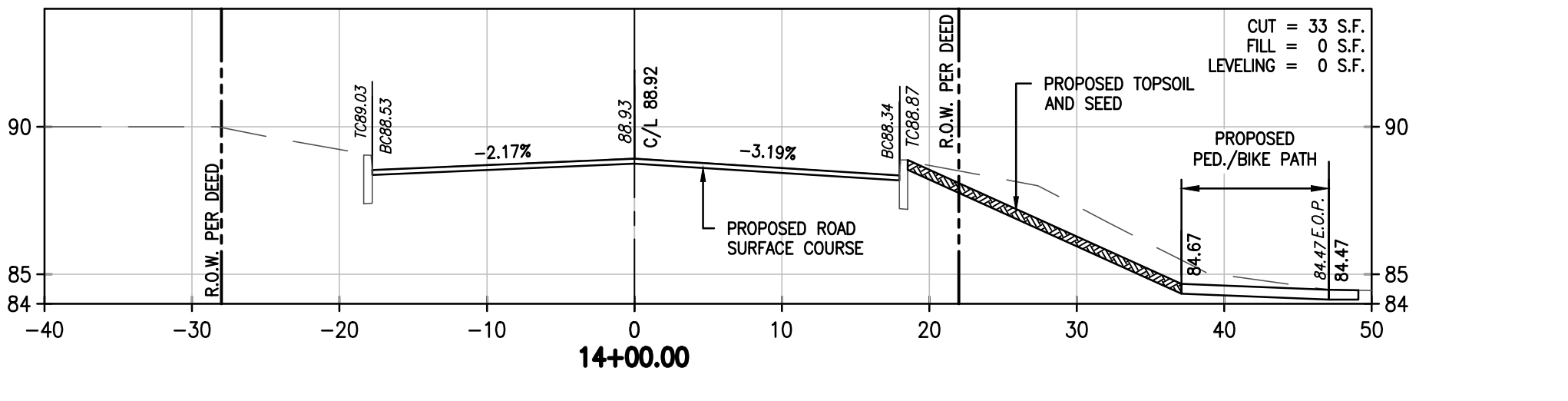
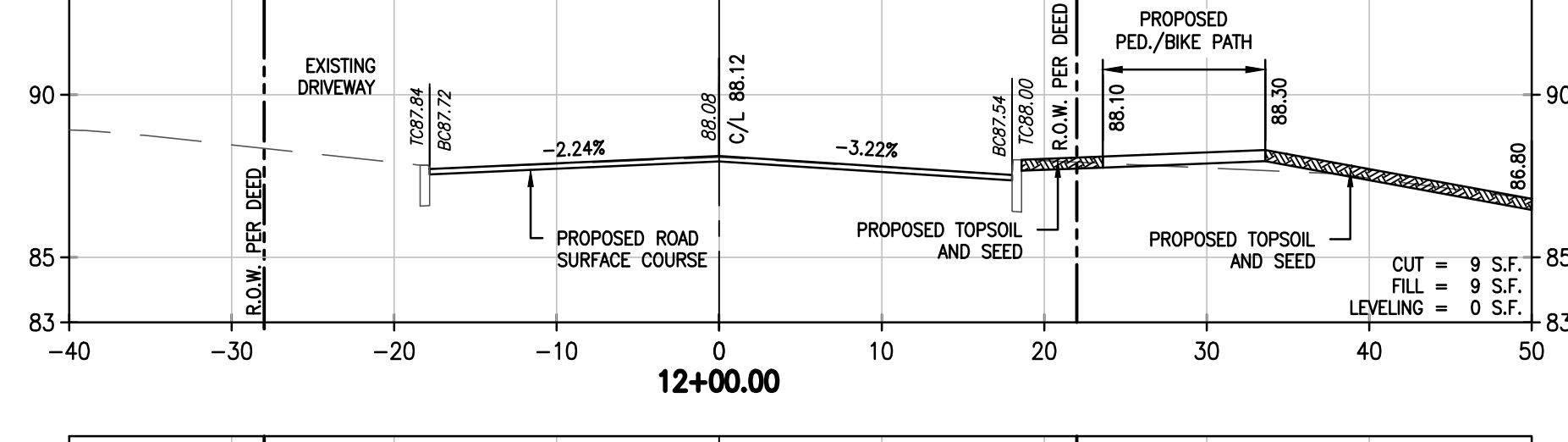
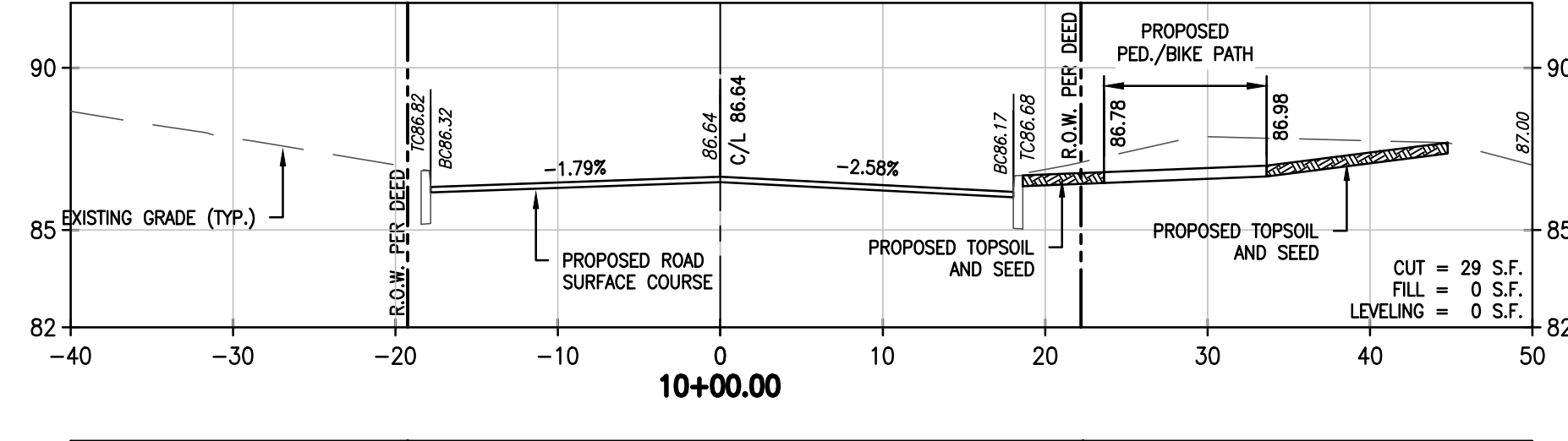
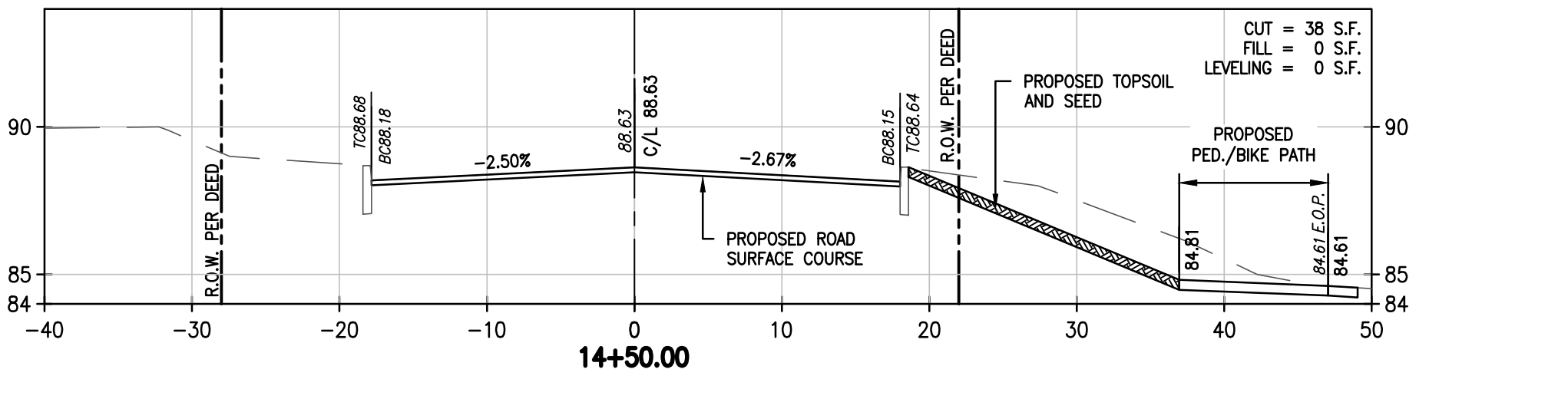
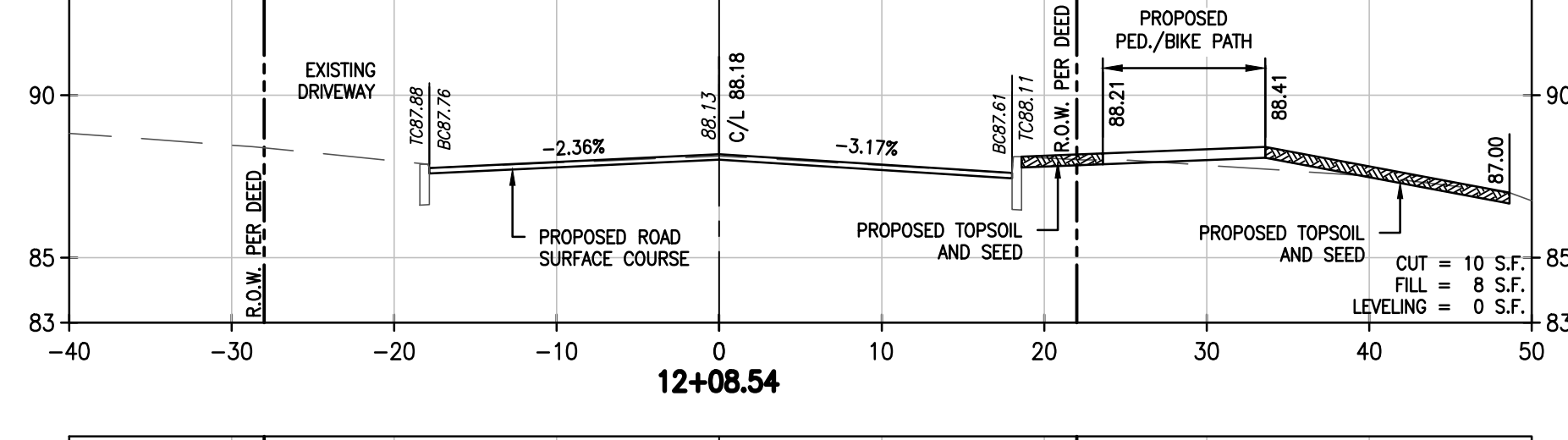
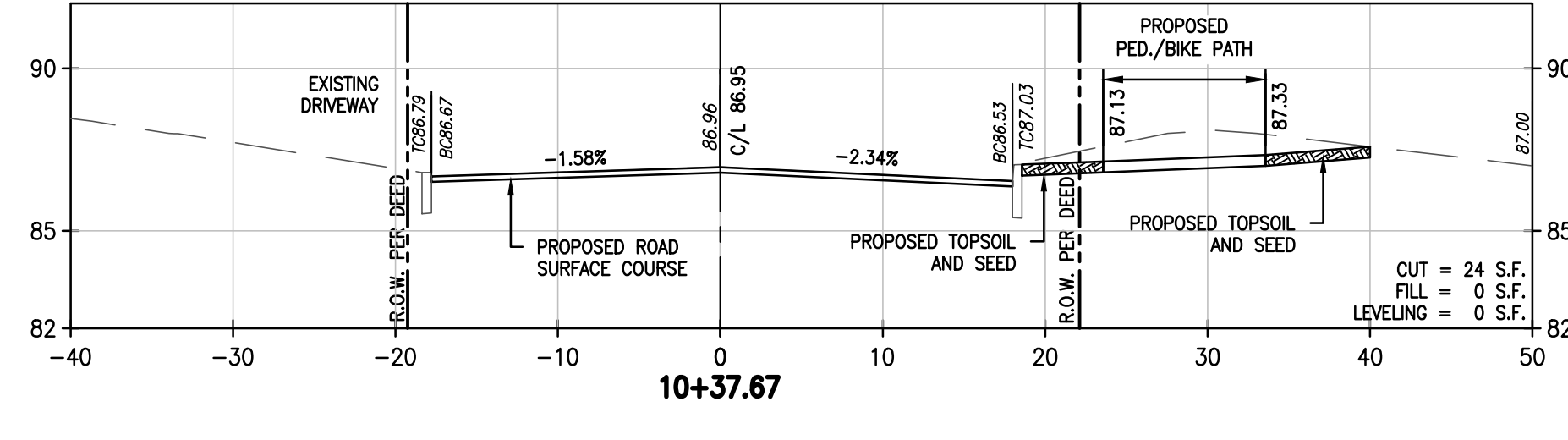
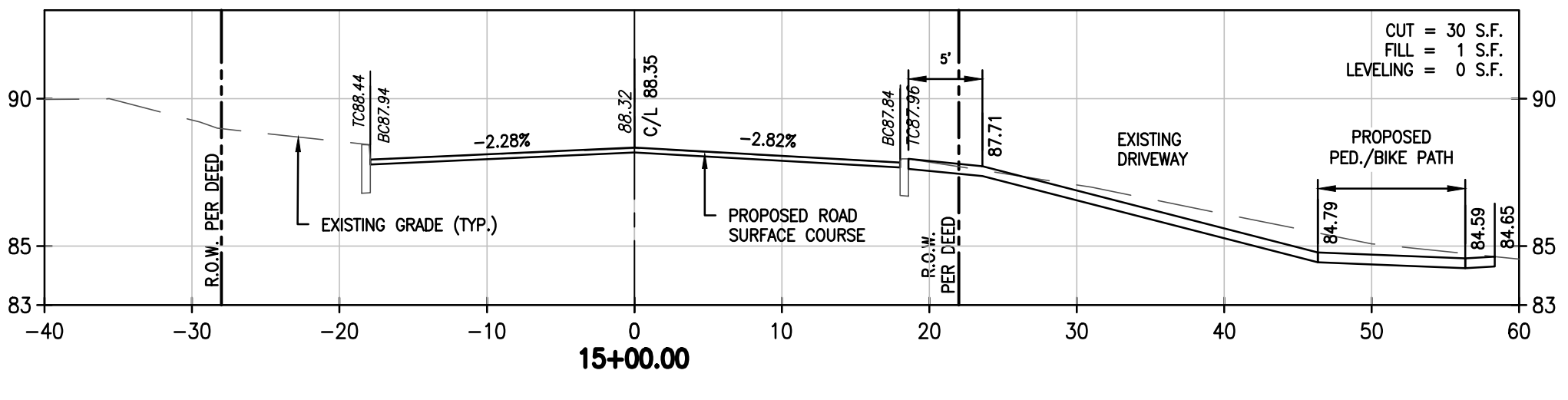
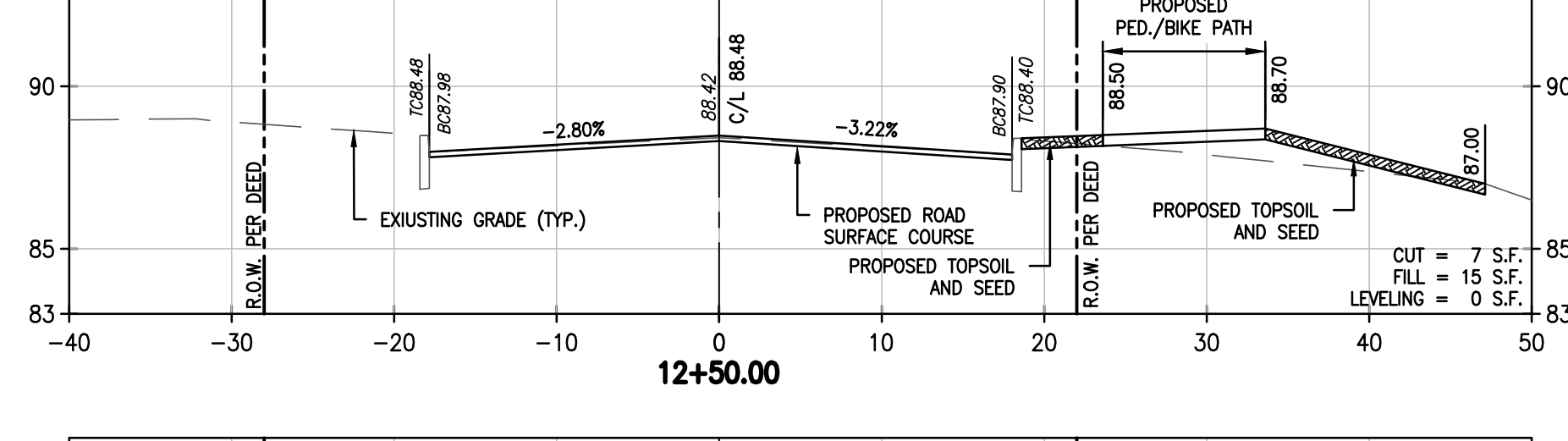
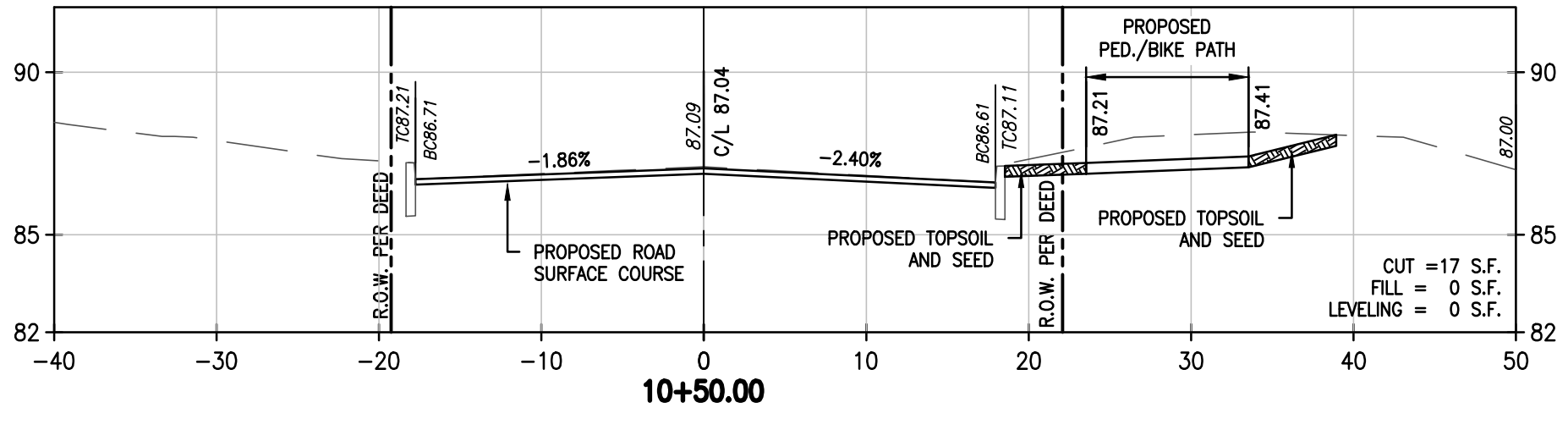
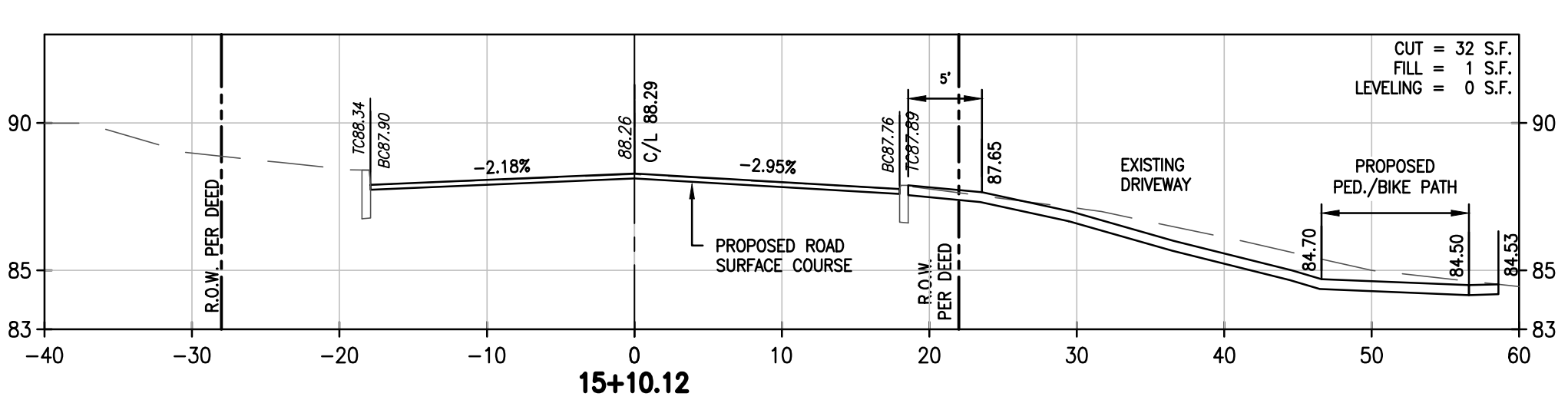
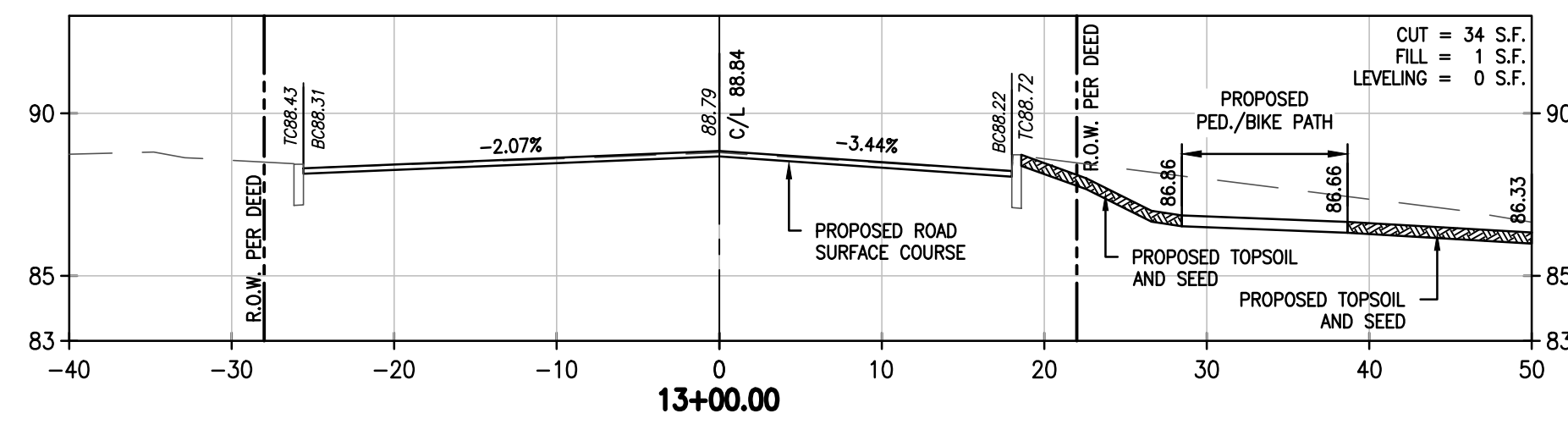
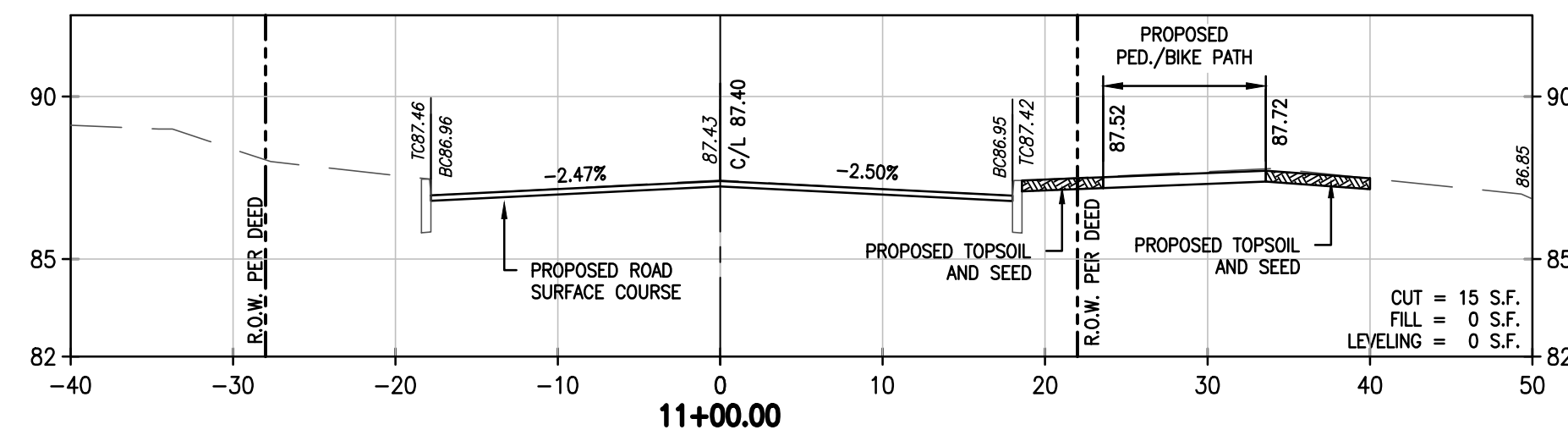
SITUATED IN  
TOWNSHIP OF PISCATAWAY  
MIDDLESEX COUNTY, NEW JERSEY

**Grotto ENGINEERING ASSOCIATES, LLC**  
ENGINEERS • PLANNERS • SURVEYORS  
Certificate of Authorization No. 24GA27918300  
340 NORTH AVENUE  
CRANFORD, NEW JERSEY 07016  
908-272-8901 (F) 908-272-8902

**EDWARD BOGAN** PROFESSIONAL ENGINEER  
N.J. LICENSE NO. 22260

DATE: 07-01-2020 SCALE: 1/8"=1'-0" DRAWN: REB CHECKED: FF SHEET: 12 OF 25 JOB: PW-0008






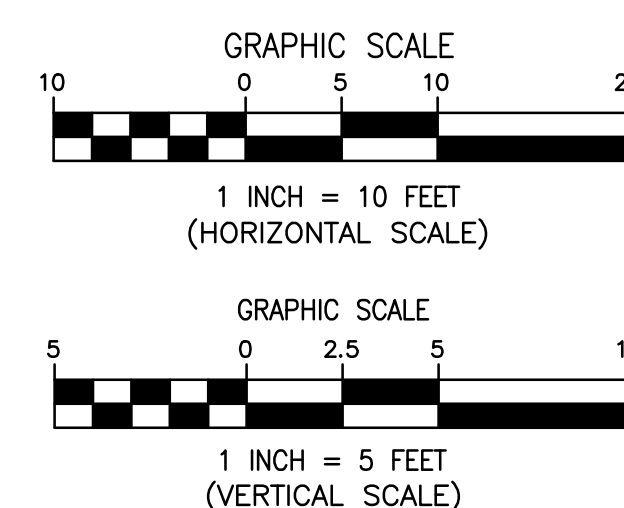
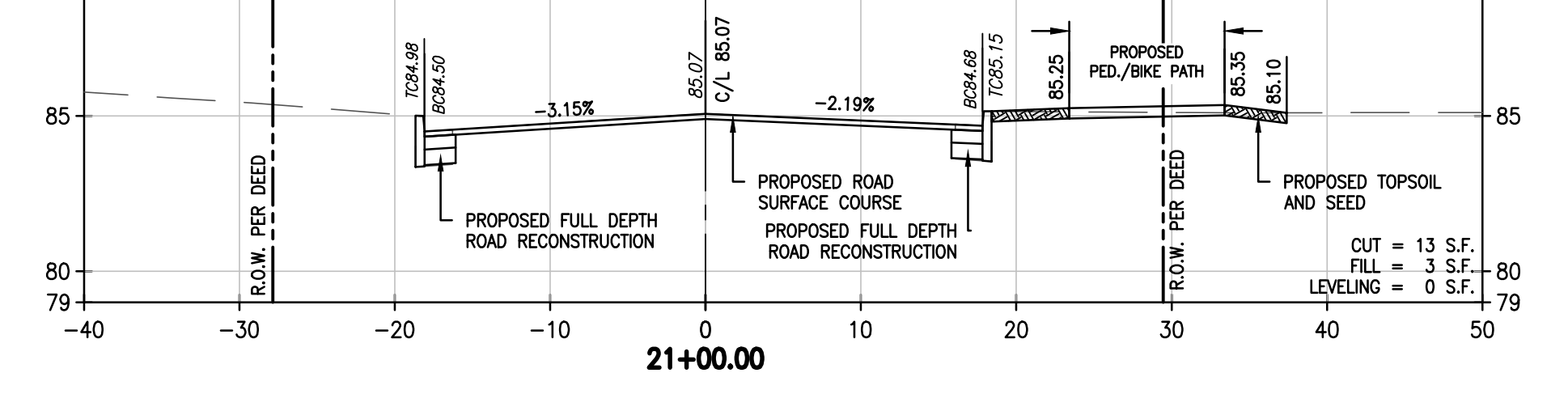
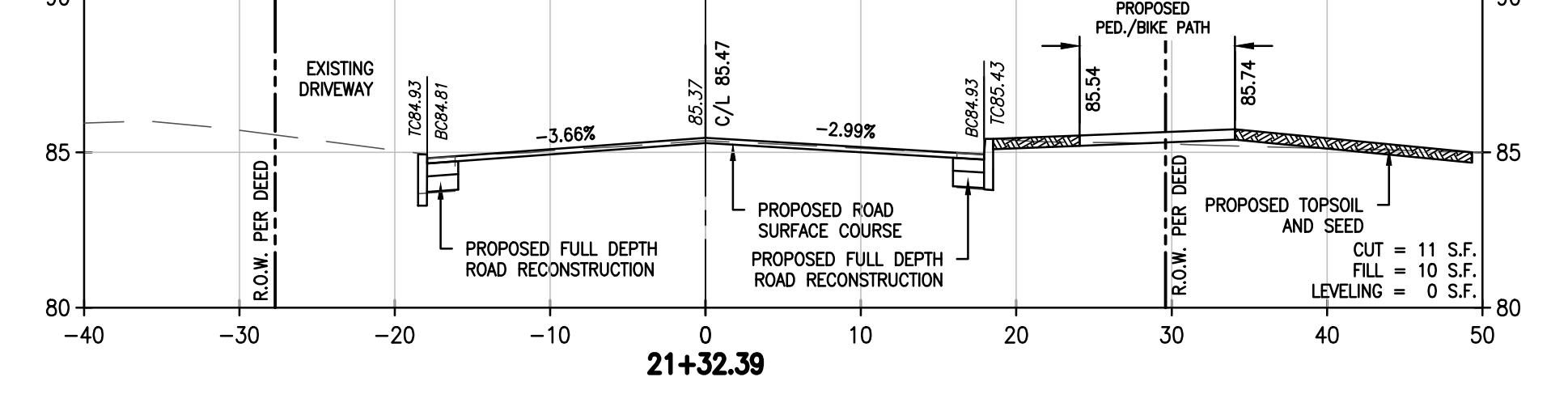
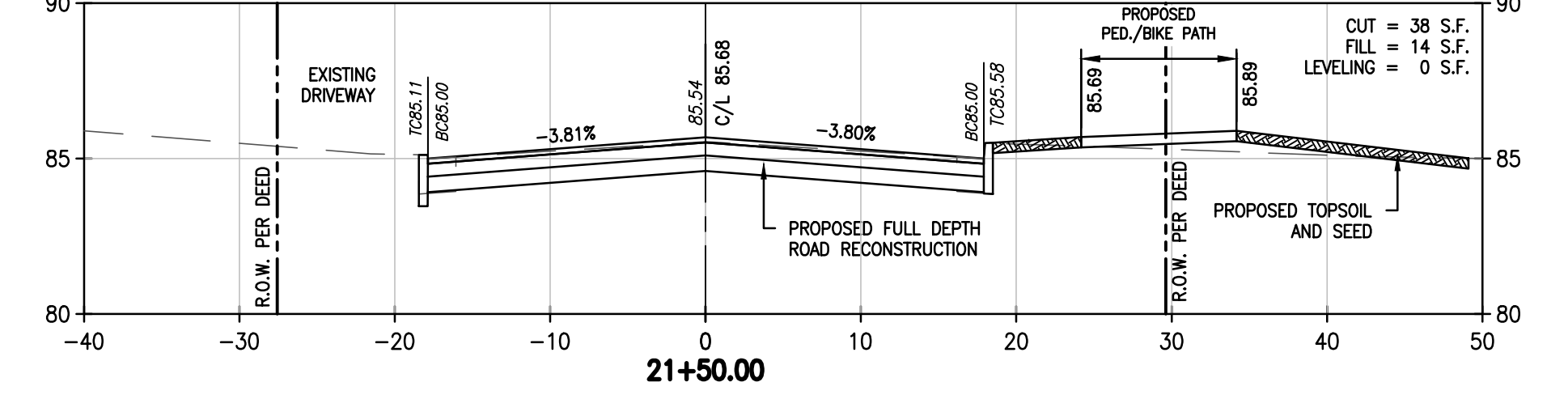
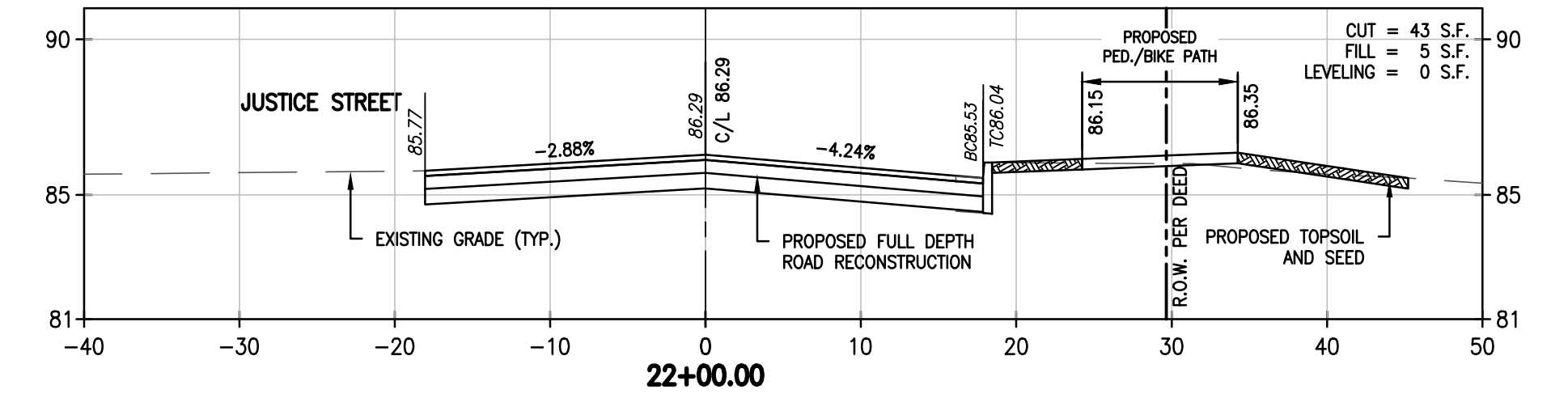
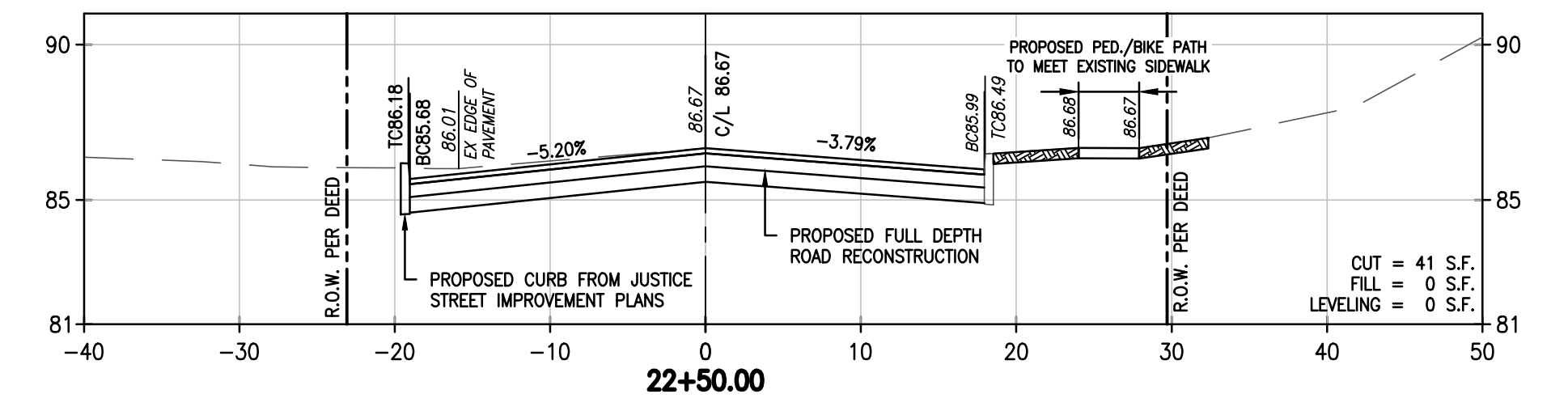
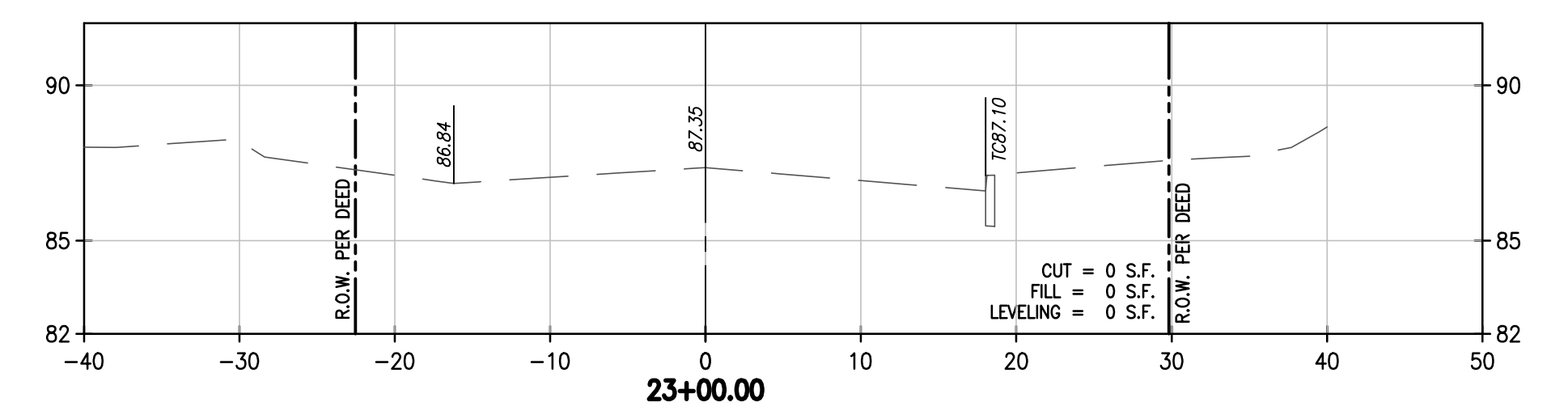
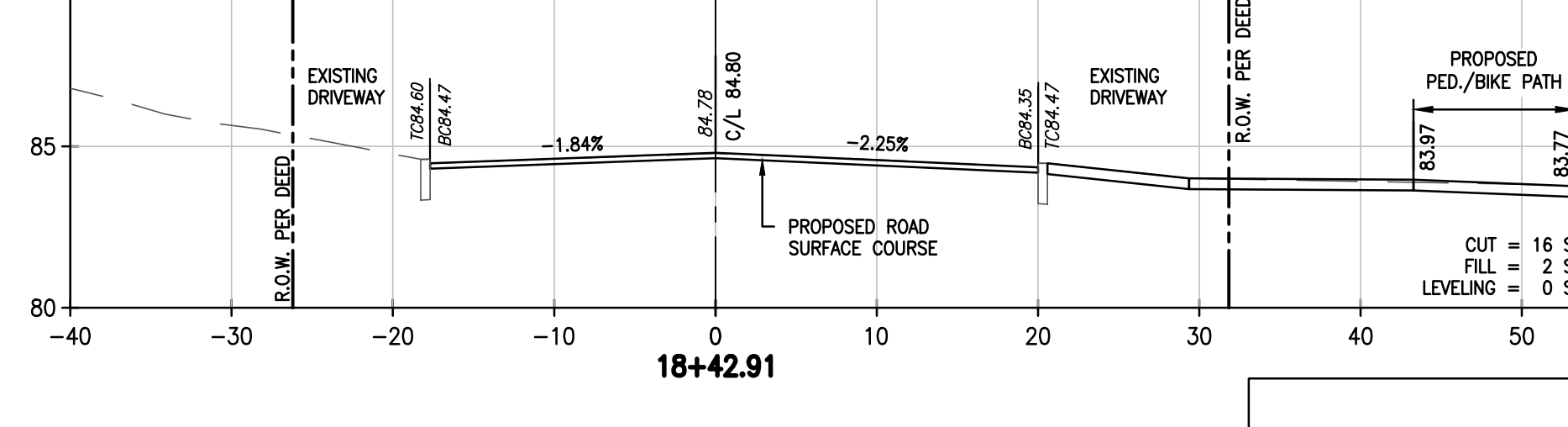
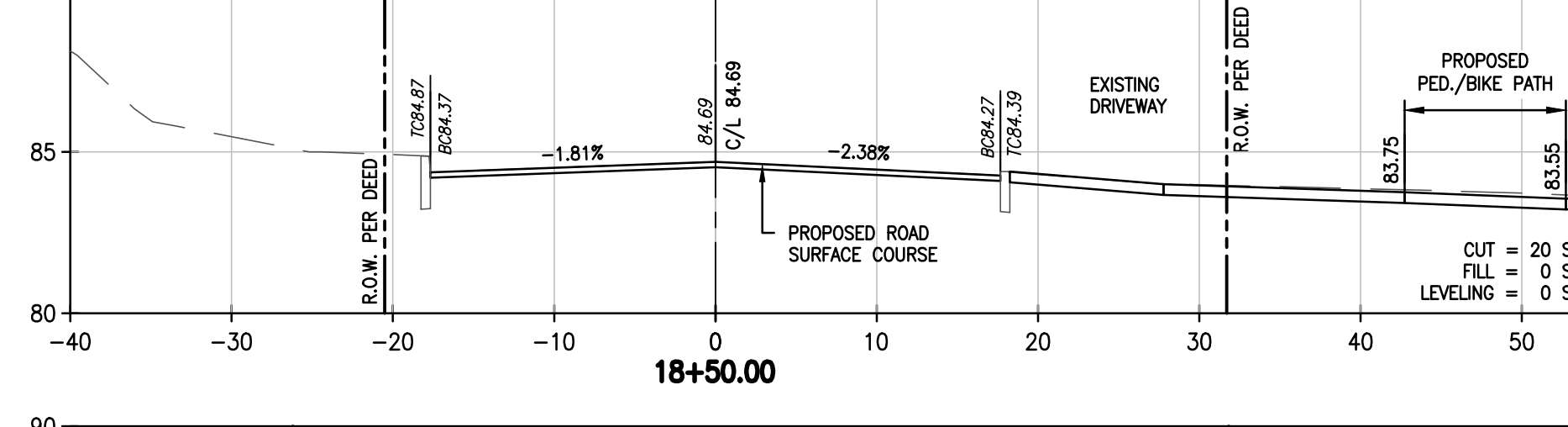
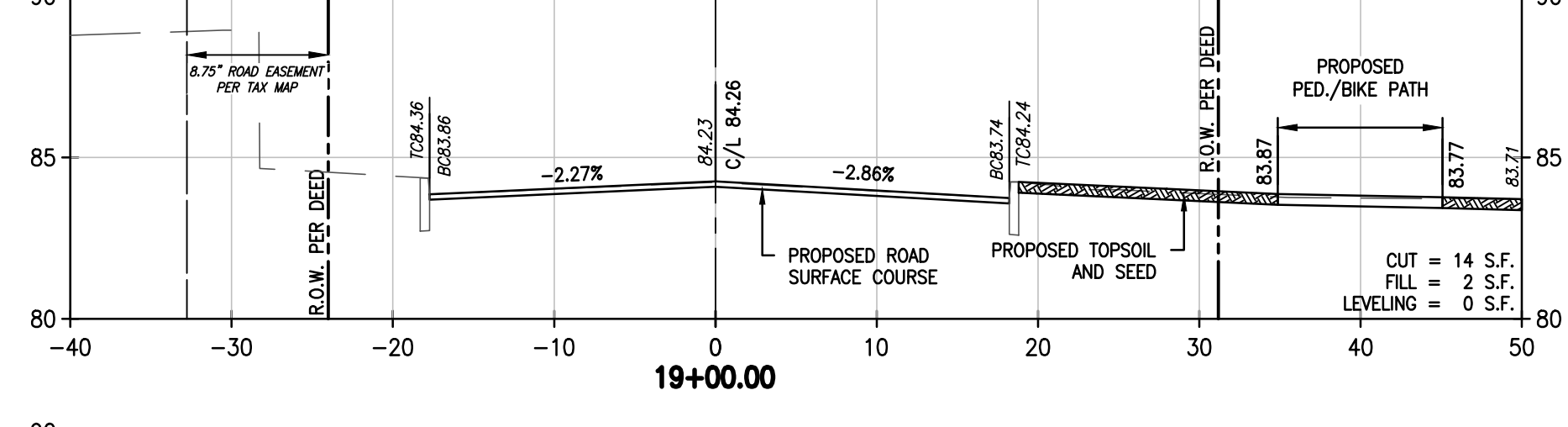
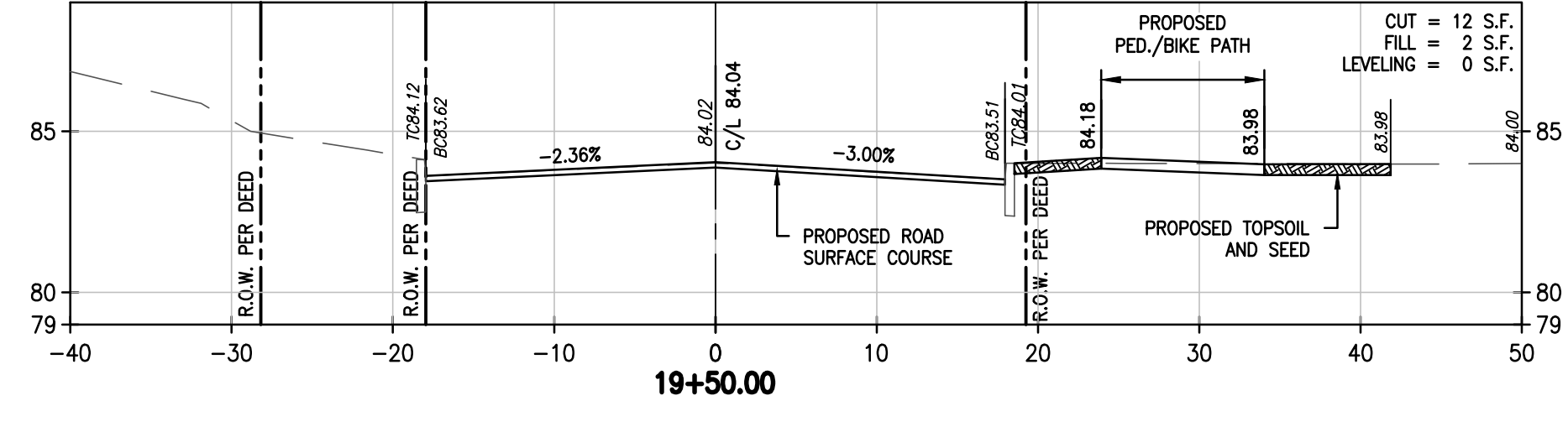
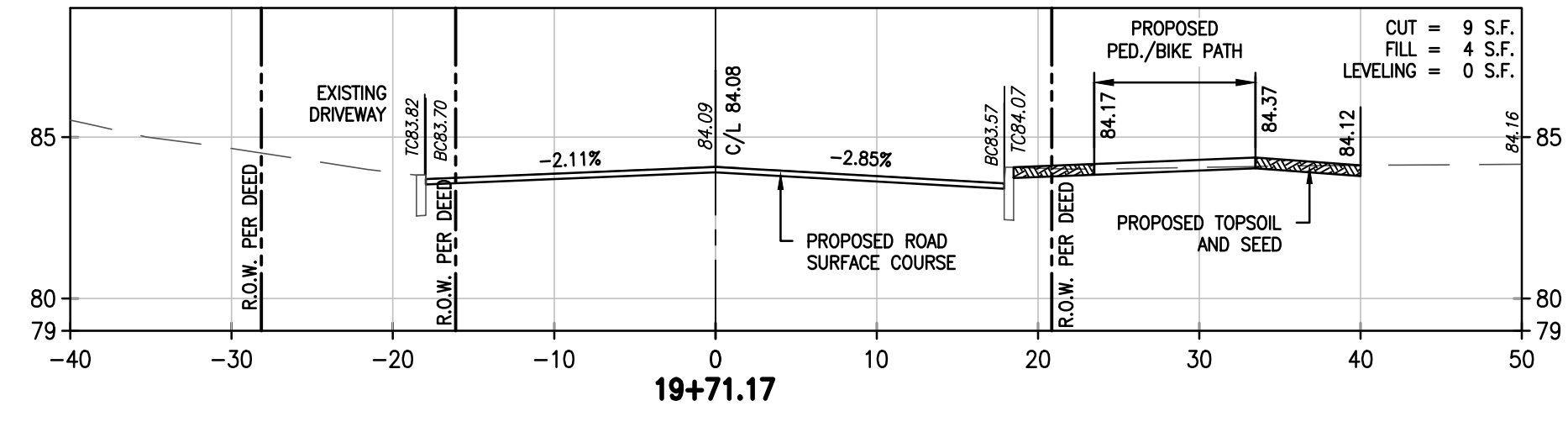
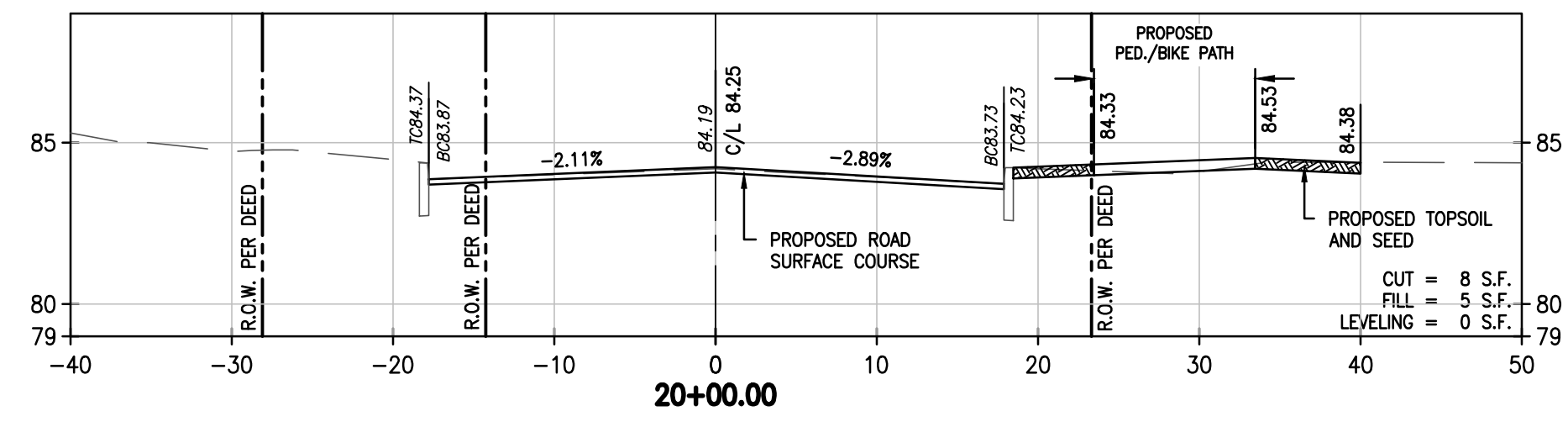
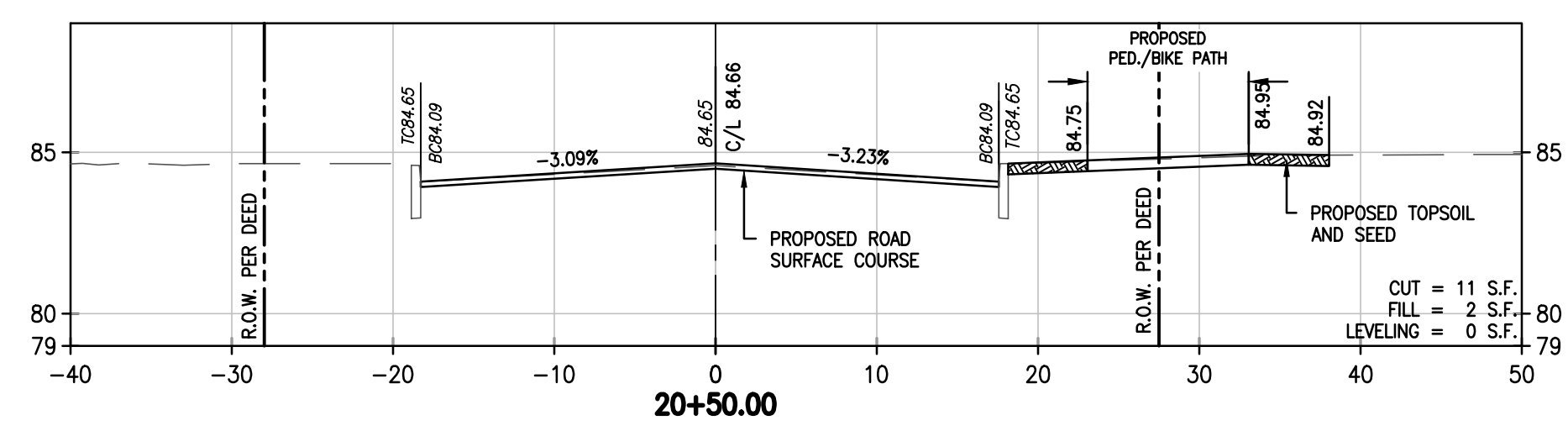
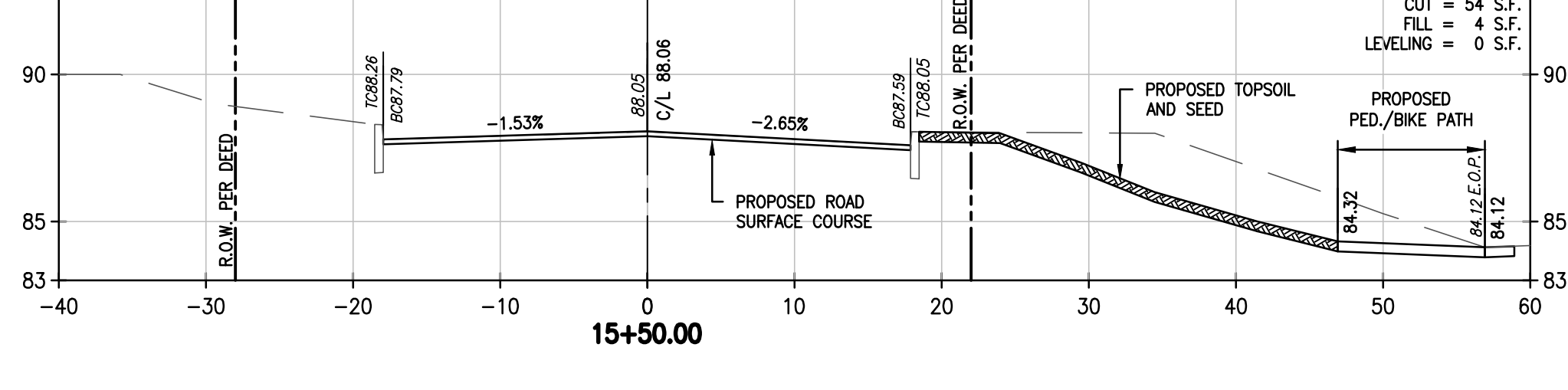
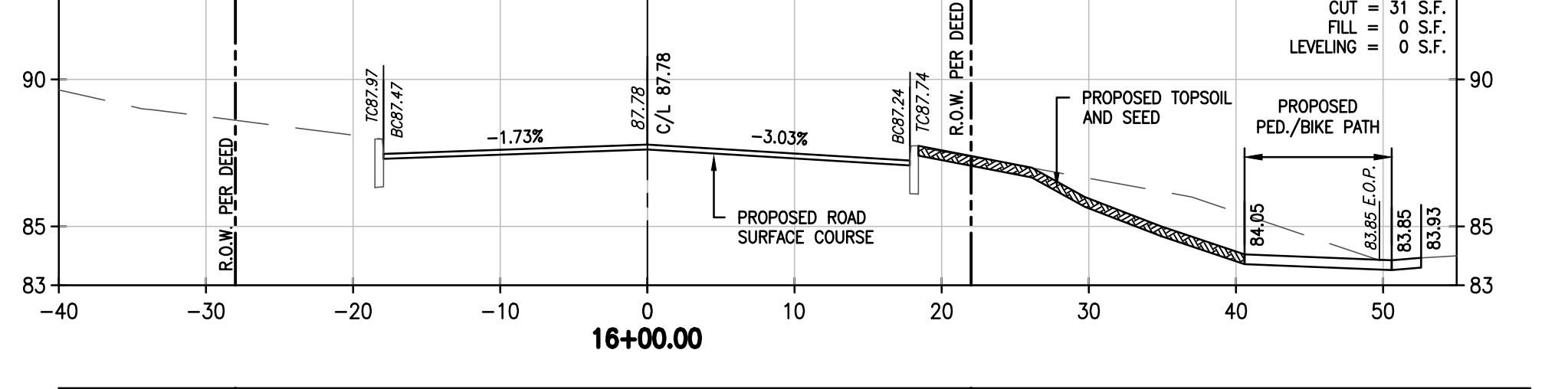
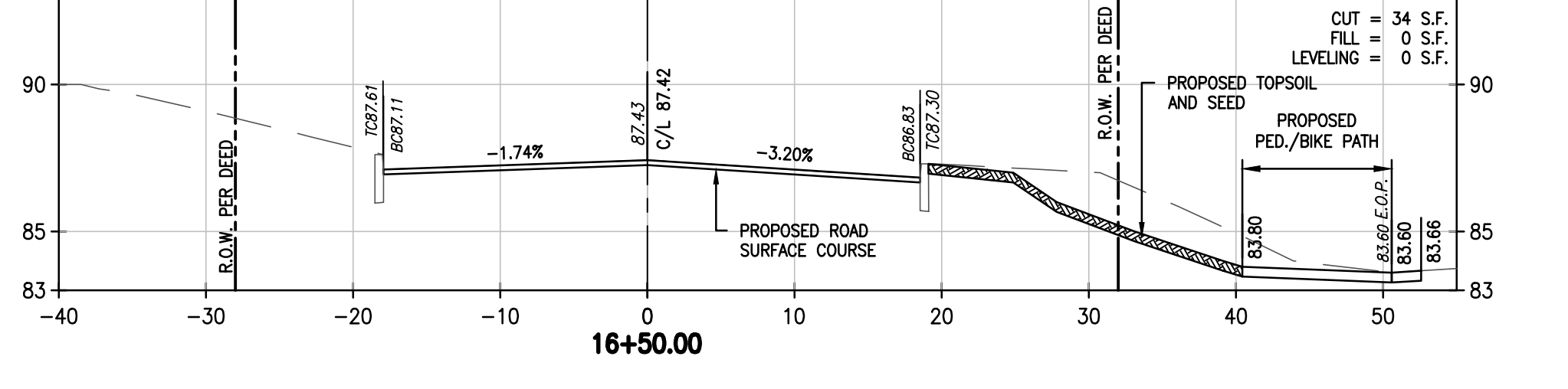
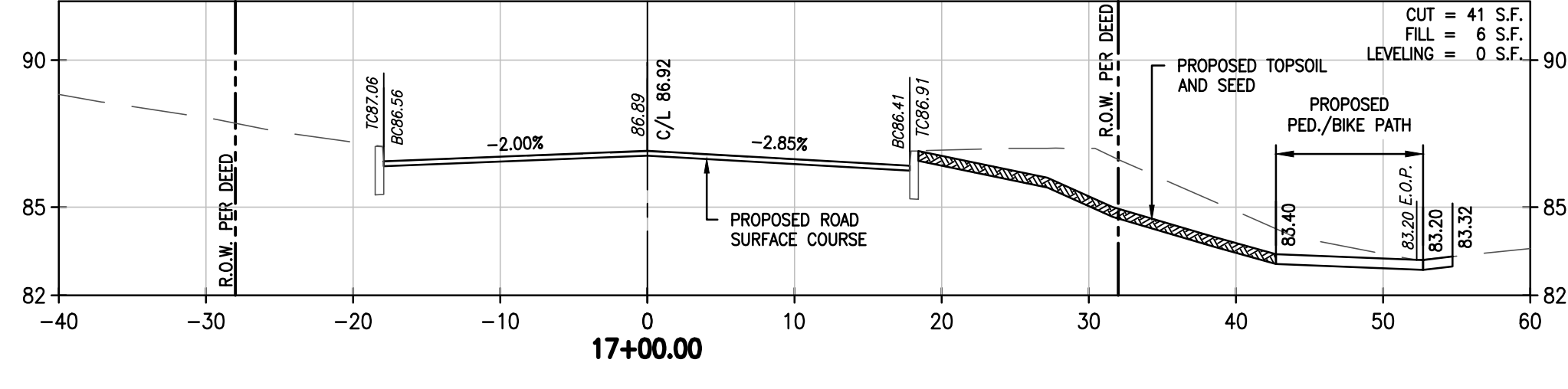
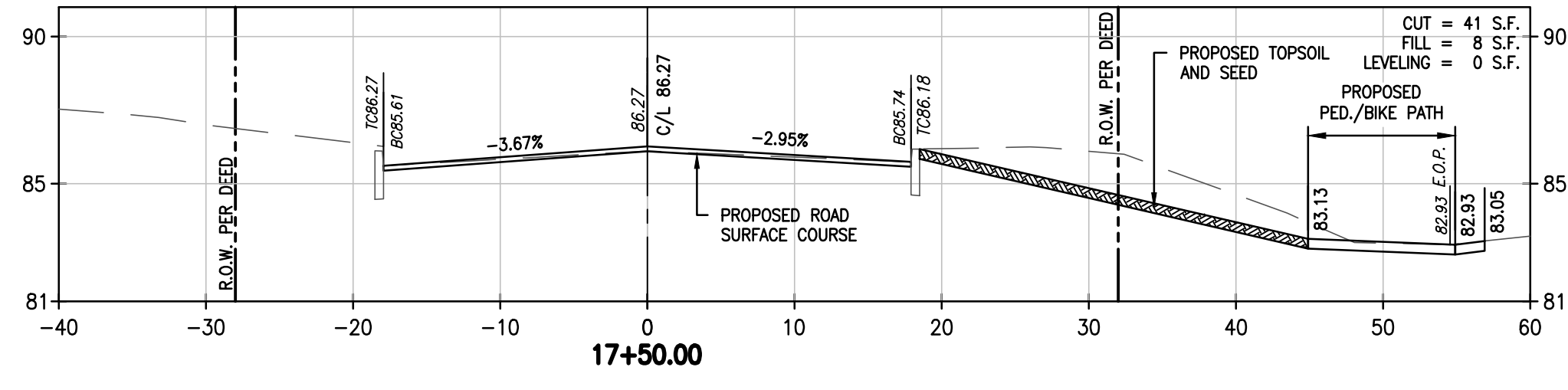
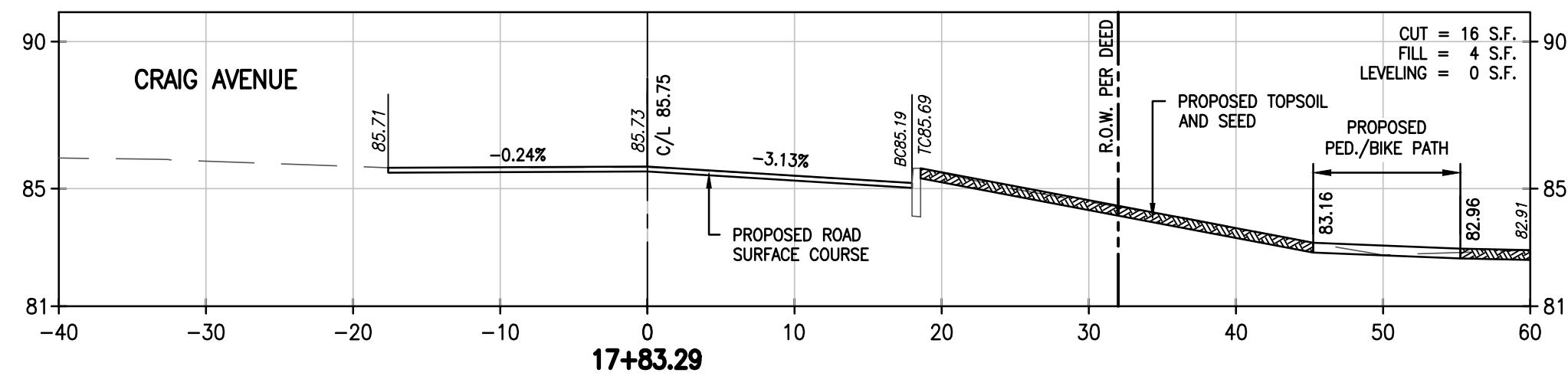
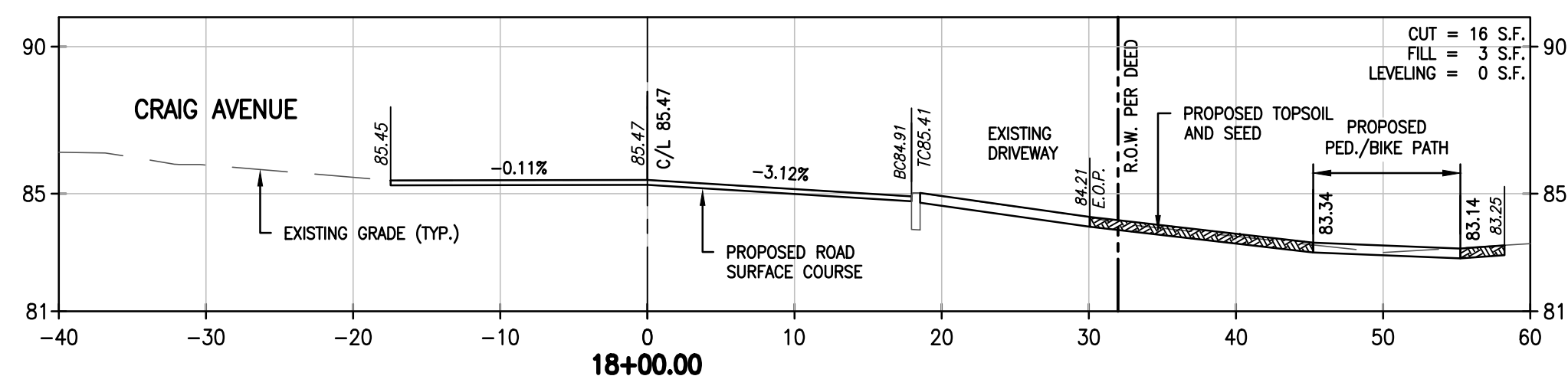
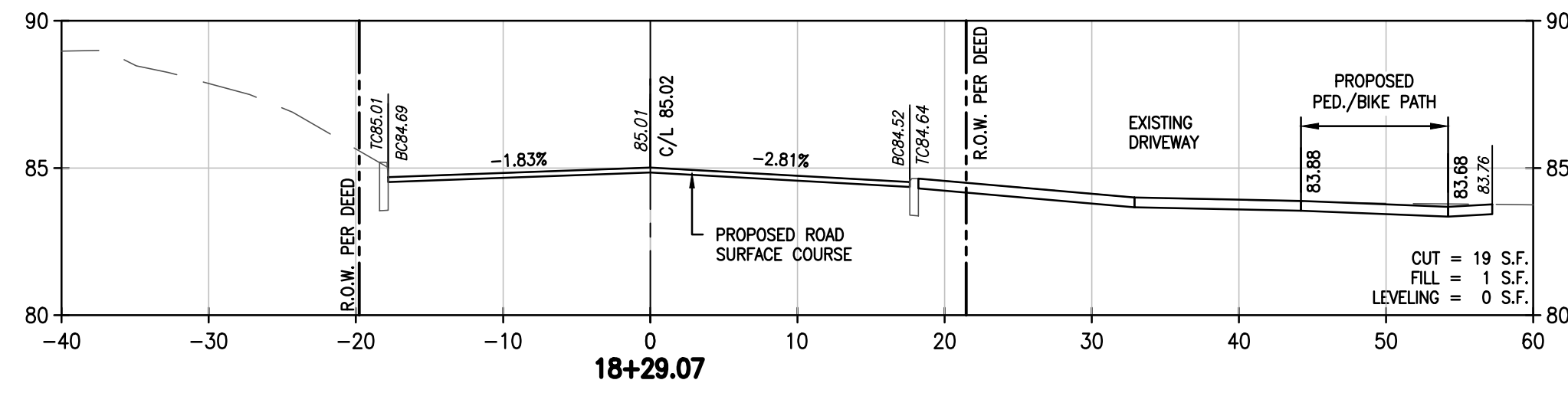
REVISIONS	
DATE	DESCRIPTION
09-28-2020	REVISIONS PER TOWNSHIP REVIEW COMMENTS
10-13-2020	REVISIONS PER TOWNSHIP REVIEW COMMENTS
11-16-2020	REVISIONS PER FSCD REVIEW COMMENTS
01-18-2022	REVISIONS PER GEOTECHNICAL REPORT
02-10-2022	REVISIONS PER TOWNSHIP REVIEW COMMENTS

THE OWNER AND CONTRACTOR SHALL HOLD HARMLESS THE ENGINEER FROM AND AGAINST ALL CLAIMS, DAMAGES, LOSSES AND EXPENSES INCLUDING ATTORNEY'S FEES ARISING OUT OF OR RESULTING FROM THE PERFORMANCE OF THE WORK BY THE CONTRACTOR. CHANGES TO THE PLANS BY THE OWNER AND THE CONTRACTOR SHALL BE THE RESPONSIBILITY OF THE PERSONS MAKING SUCH CHANGES. THE CONTRACTOR SHALL CHECK AND VERIFY ALL PLAN DIMENSIONS AND CONDITIONS BEFORE PROCEEDING WITH CONSTRUCTION.

**ROADWAY CROSS SECTIONS - 2 (STA. 9+00 TO STA. 15+10.12)**

**ETHEL ROAD ROADWAY IMPROVEMENTS**  
**STELTON ROAD TO THE MUNICIPAL BORDER**  
 SITUATED IN  
**TOWNSHIP OF PISCATAWAY**  
**MIDDLESEX COUNTY, NEW JERSEY**  

**GROTTO ENGINEERING ASSOCIATES, LLC**  
 ENGINEERS • PLANNERS • SURVEYORS  
Certificate of Authorization No. 24GA27918300  
 340 NORTH AVENUE  
 CRANFORD, NEW JERSEY 07016  
 908-272-8901 (F) 908-272-8902  
**EDWARD BOGAN** PROFESSIONAL ENGINEER  
N.J. LICENSE NO. 22260  
 DATE: 07-01-2020 SCALE: 1/8"=1'-0" DRAWN: REB CHECKED: FF SHEET: 13 OF 25 JOB: PW-0008

S:\Ethel Road Projects\Facility\Sheet\Ethel Road Roadway Improvement Plan D - 12.22.20.dwg 2/10/2022



REVISIONS	
DATE	DESCRIPTION
09-28-2020	REVISIONS PER TOWNSHIP REVIEW COMMENTS
10-13-2020	REVISIONS PER TOWNSHIP REVIEW COMMENTS
11-16-2020	REVISIONS PER FSCD REVIEW COMMENTS
01-18-2022	REVISIONS PER GEOTECHNICAL REPORT
02-10-2022	REVISIONS PER TOWNSHIP REVIEW COMMENTS

THE OWNER AND CONTRACTOR SHALL HOLD HARMLESS THE ENGINEER FROM AND AGAINST ALL CLAIMS, DAMAGES, LOSSES AND EXPENSES INCLUDING ATTORNEY'S FEES ARISING OUT OF OR RESULTING FROM THE PERFORMANCE OF THE WORK BY THE CONTRACTOR. CHANGES TO THE PLANS BY THE OWNER AND THE CONTRACTOR SHALL BE THE RESPONSIBILITY OF THE PERSONS MAKING SUCH CHANGES. THE CONTRACTOR SHALL CHECK AND VERIFY ALL PLAN DIMENSIONS AND CONDITIONS BEFORE PROCEEDING WITH CONSTRUCTION.

**ROADWAY CROSS SECTIONS - 3 (STA. 15+50 TO STA. 23+00.00)**

**ETHEL ROAD ROADWAY IMPROVEMENTS  
STELTON ROAD TO THE MUNICIPAL BORDER**

SITUATED IN  
**TOWNSHIP OF PISCATAWAY  
MIDDLESEX COUNTY, NEW JERSEY**

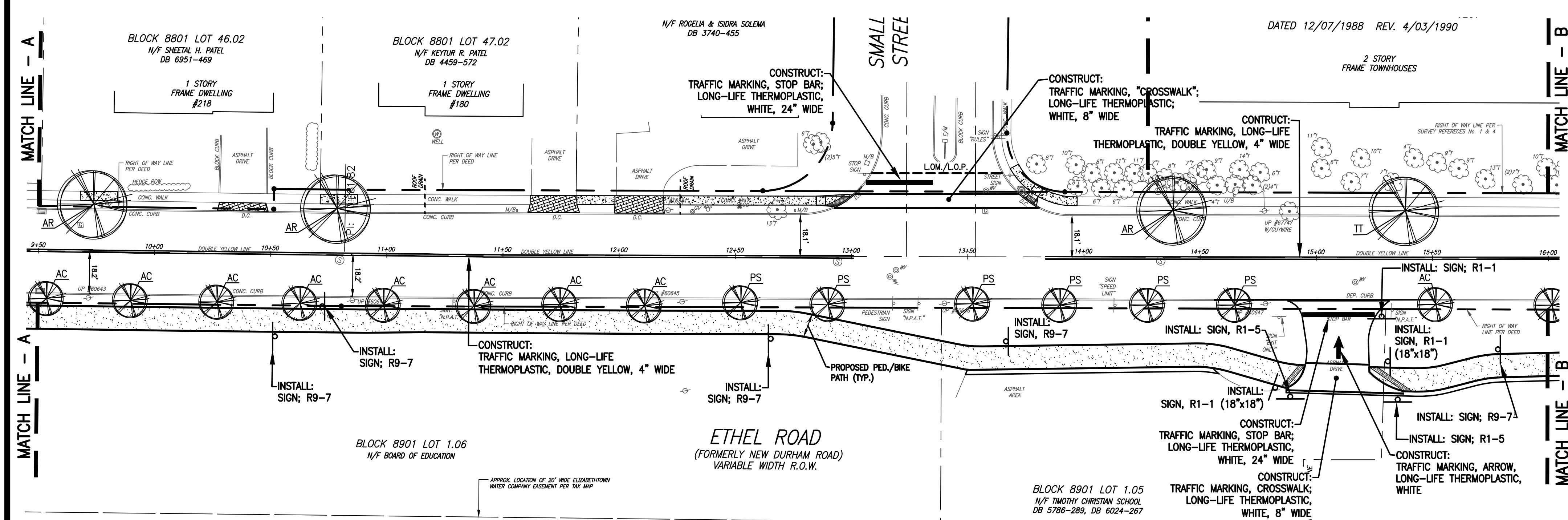
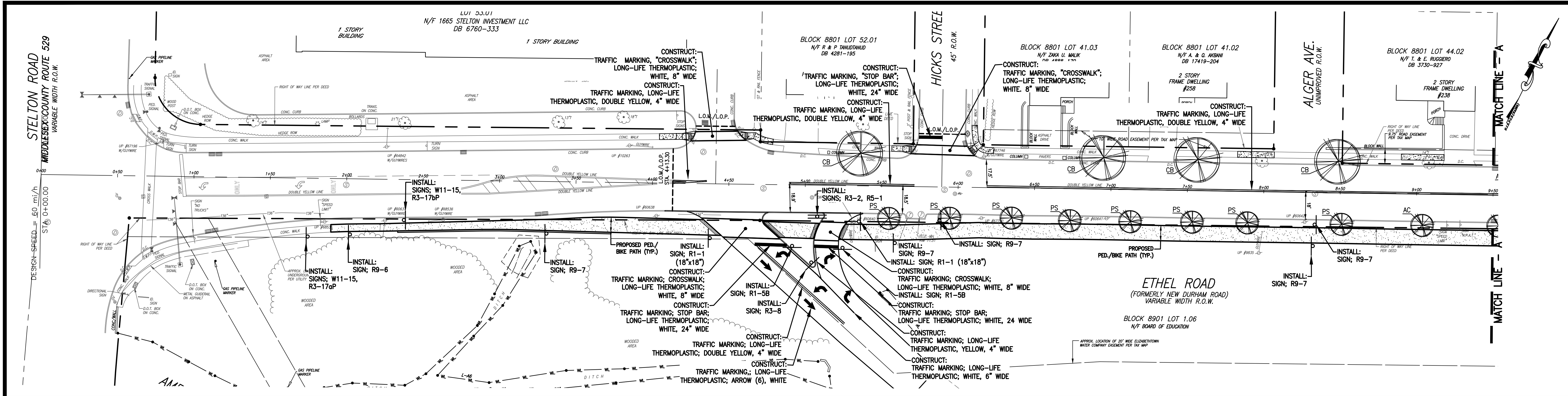
**Grotto ENGINEERING ASSOCIATES, LLC**  
ENGINEERS • PLANNERS • SURVEYORS  
Certificate of Authorization No. 24GA27918300  
340 NORTH AVENUE  
CRANFORD, NEW JERSEY 07016  
908-272-8901 (F) 908-272-8902

**EDWARD BOGAN** PROFESSIONAL ENGINEER  
N.J. LICENSE NO. 22260

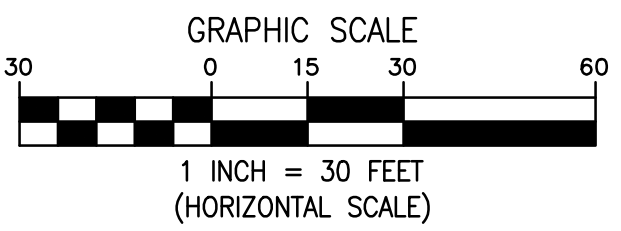
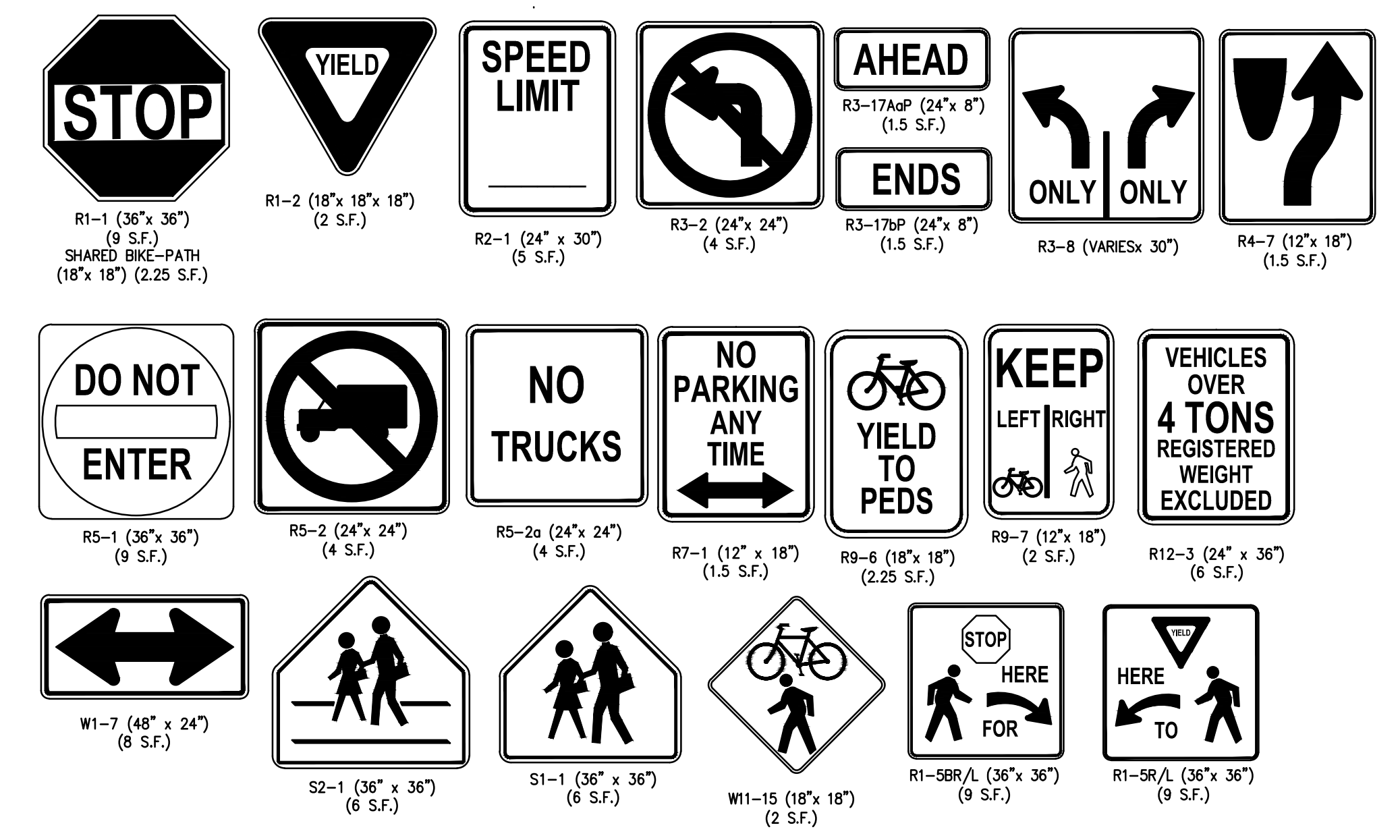
DATE: 07-01-2020 SCALE: 1/8"=1'-0" DRAWN: REB CHECKED: FF SHEET: 14 OF 25 JOB: PW-0008

S:\Ethel Road Projects\Roadway\Drawings\Ethel Road Roadway Improvement Plan D - 12722.dwg 2/10/2022





**TRAFFIC SIGN DETAILS**



**SIGNAGE, STRIPING AND LANDSCAPING PLAN - 1**

**ETHEL ROAD ROADWAY IMPROVEMENTS  
STELTON ROAD TO THE MUNICIPAL BORDER**

SITUATED IN  
TOWNSHIP OF PISCATAWAY  
MIDDLESEX COUNTY, NEW JERSEY

**Grotto ENGINEERING ASSOCIATES, LLC**  
ENGINEERS • PLANNERS • SURVEYORS  
Certificate of Authorization No. 24GA27918300  
340 NORTH AVENUE  
CRANFORD, NEW JERSEY 07016  
908-272-8901 (F) 908-272-8902

---

**EDWARD BOGAN** PROFESSIONAL ENGINEER  
N.J. LICENSE NO. 22260

DATE: 07-01-2020 SCALE: 1"=30' DRAWN: REB CHECKED: FF SHEET: 15 OF 25 JOB: PW-0008

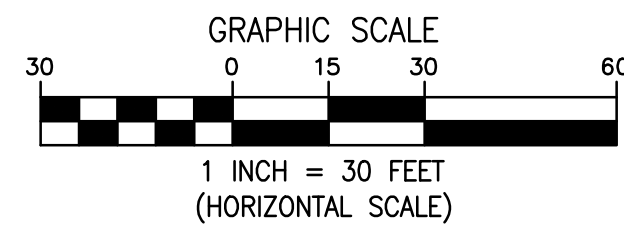
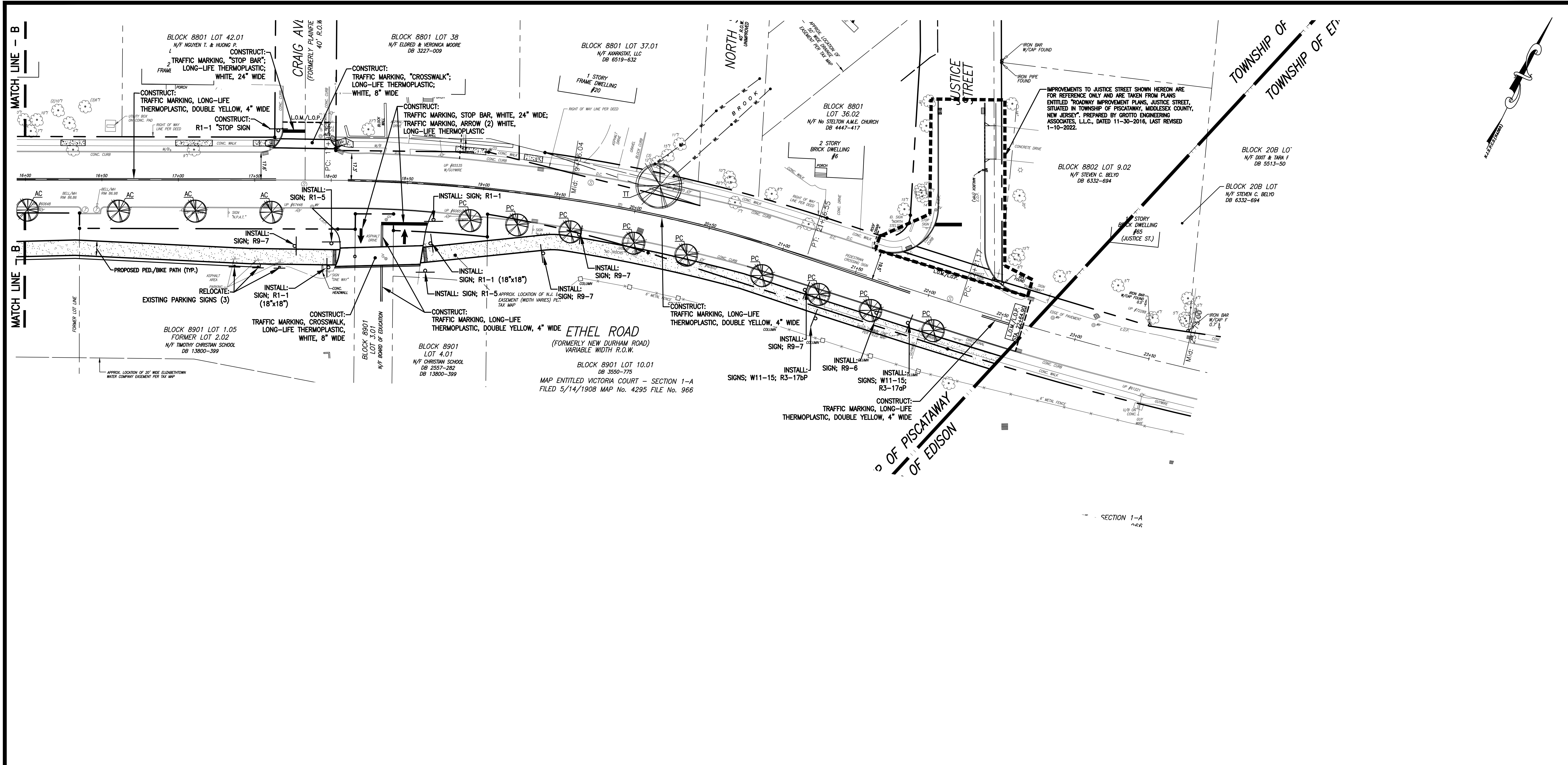
PROPOSED PLANT SCHEDULE					
KEY	QTY	LATIN NAME	COMMON NAME	SIZE	NOTES
AC	14	ACER CAMPESTRE	HEDGES MAPLE	2'-2-1/2" CAL.	B&B
AR	3	ACER RUBRUM	RED MAPLE	2'-2-1/2" CAL.	B&B
CB	4	CARPINUS BETULUS	EUROPEAN HORNBEEAM	2'-2-1/2" CAL.	B&B
PC	9	PRUNUS CERASIFERA 'NEWPORT'	'NEWPORT' PURPLELEAF PLUM	2'-2-1/2" CAL.	B&B
PS	14	PRUNUS SERRULATA 'KWANZAN'	'KWANZAN' FLOWERING CHERRY	2'-2-1/2" CAL.	B&B
TT	2	TILIA TOMENTOSA 'GREEN MOUNTAIN'	'GREEN MOUNTAIN' SILVER LINDEN	2'-2-1/2" CAL.	B&B

**LANDSCAPING NOTES**

1. RELOCATION OF LANDSCAPING FEATURES SHALL BE PAID UNDER THE PAY ITEM "CLEARING SITE".

THE OWNER AND CONTRACTOR SHALL HOLD HARMLESS THE ENGINEER FROM AND AGAINST ALL CLAIMS, DAMAGES, LOSSES AND EXPENSES INCLUDING ATTORNEY'S FEES ARISING OUT OF OR RESULTING FROM THE PERFORMANCE OF THE WORK BY THE CONTRACTOR. CHANGES TO THE PLANS BY THE OWNER AND THE CONTRACTOR SHALL BE THE RESPONSIBILITY OF THE PERSONS MAKING SUCH CHANGES. THE CONTRACTOR SHALL CHECK AND VERIFY ALL PLAN DIMENSIONS AND CONDITIONS BEFORE PROCEEDING WITH CONSTRUCTION.

S:\Ethel Road Projects\Facility\Sheet\Ethel Road Roadway Improvement Plan D - 12.22.20.dwg 7/10/2022



**SIGNAGE, STRIPING AND LANDSCAPING PLAN - 2**

**ETHEL ROAD ROADWAY IMPROVEMENTS  
STELTON ROAD TO THE MUNICIPAL BORDER**

SITUATED IN  
**TOWNSHIP OF PISCATAWAY  
MIDDLESEX COUNTY, NEW JERSEY**

**Grotto Engineering Associates, LLC**  
ENGINEERS • PLANNERS • SURVEYORS  
Certificate of Authorization No. 24GA27918300  
340 NORTH AVENUE  
CRANFORD, NEW JERSEY 07016  
908-272-8901 (F) 908-272-8902

REVISIONS	
DATE	DESCRIPTION
09-28-2020	REVISIONS PER TOWNSHIP REVIEW COMMENTS
10-13-2020	REVISIONS PER TOWNSHIP REVIEW COMMENTS
11-16-2020	REVISIONS PER FSCD REVIEW COMMENTS
01-18-2022	REVISIONS PER GEOTECHNICAL REPORT
02-10-2022	REVISIONS PER TOWNSHIP REVIEW COMMENTS

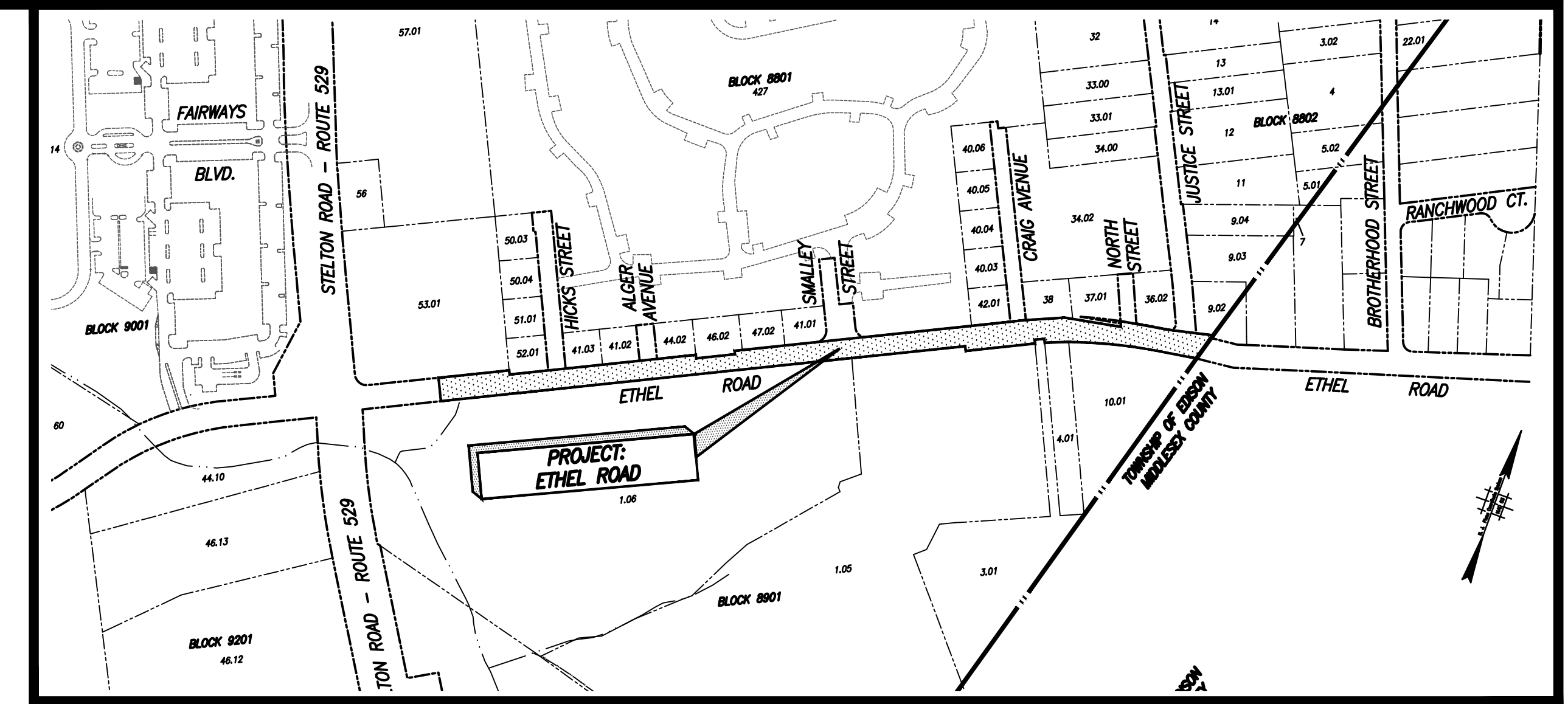
THE OWNER AND CONTRACTOR SHALL HOLD HARMLESS THE ENGINEER FROM AND AGAINST ALL CLAIMS, DAMAGES, LOSSES AND EXPENSES INCLUDING ATTORNEY'S FEES ARISING OUT OF OR RESULTING FROM THE PERFORMANCE OF THE WORK BY THE CONTRACTOR. CHANGES TO THE PLANS BY THE OWNER AND THE CONTRACTOR SHALL BE THE RESPONSIBILITY OF THE PERSONS MAKING SUCH CHANGES. THE CONTRACTOR SHALL CHECK AND VERIFY ALL PLAN DIMENSIONS AND CONDITIONS BEFORE PROCEEDING WITH CONSTRUCTION.

S:\Grotto Road Projects\piscataway\Sheet\Ethel Road\Ethel Road Improvement Plan D - 12722.dwg 2/10/2022

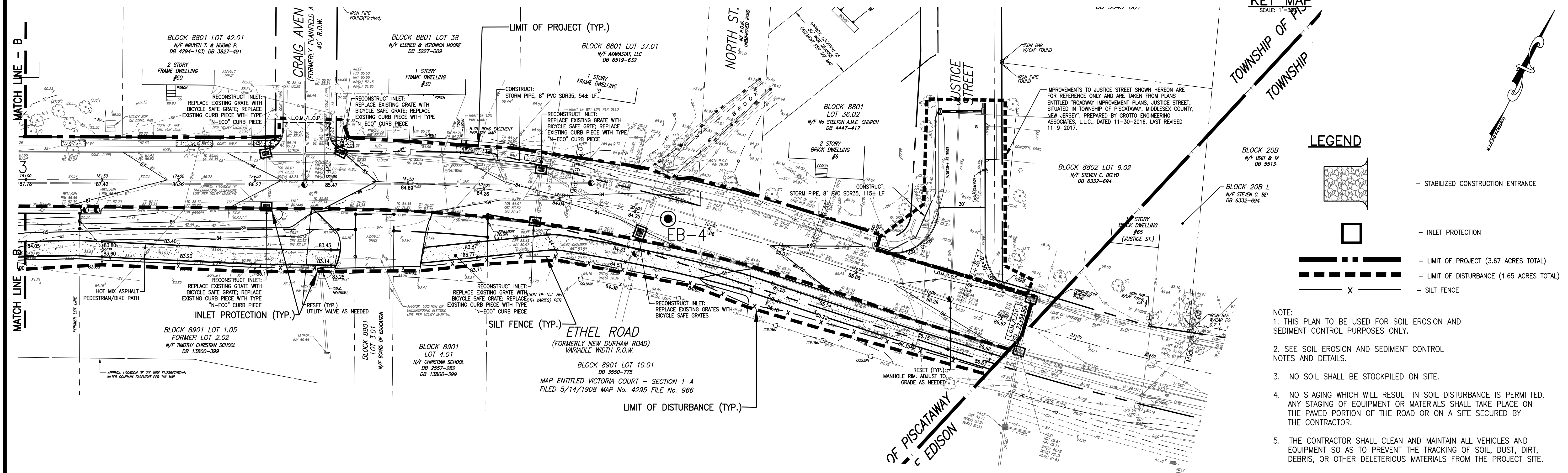








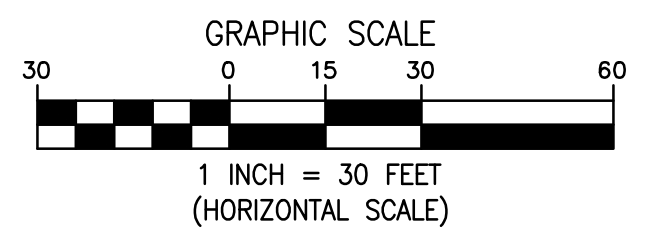
KEY MAP  
SCALE: 1"=30'



LEGEND

- STABILIZED CONSTRUCTION ENTRANCE
- INLET PROTECTION
- LIMIT OF PROJECT (3.67 ACRES TOTAL)
- LIMIT OF DISTURBANCE (1.65 ACRES TOTAL)
- SILT FENCE

- NOTE:
1. THIS PLAN TO BE USED FOR SOIL EROSION AND SEDIMENT CONTROL PURPOSES ONLY.
  2. SEE SOIL EROSION AND SEDIMENT CONTROL NOTES AND DETAILS.
  3. NO SOIL SHALL BE STOCKPILED ON SITE.
  4. NO STAGING WHICH WILL RESULT IN SOIL DISTURBANCE IS PERMITTED. ANY STAGING OF EQUIPMENT OR MATERIALS SHALL TAKE PLACE ON THE PAVED PORTION OF THE ROAD OR ON A SITE SECURED BY THE CONTRACTOR.
  5. THE CONTRACTOR SHALL CLEAN AND MAINTAIN ALL VEHICLES AND EQUIPMENT SO AS TO PREVENT THE TRACKING OF SOIL, DUST, DIRT, DEBRIS, OR OTHER DELETERIOUS MATERIALS FROM THE PROJECT SITE.



SOIL EROSION AND SEDIMENT CONTROL PLAN - 2

ETHEL ROAD ROADWAY IMPROVEMENTS  
STELTON ROAD TO THE MUNICIPAL BORDER

SITUATED IN  
TOWNSHIP OF PISCATAWAY  
MIDDLESEX COUNTY, NEW JERSEY

**Grotto ENGINEERING ASSOCIATES, LLC**  
ENGINEERS • PLANNERS • SURVEYORS  
Certificate of Authorization No. 24GA27918300  
340 NORTH AVENUE  
CRANFORD, NEW JERSEY 07016  
908-272-8901 (F) 908-272-8902

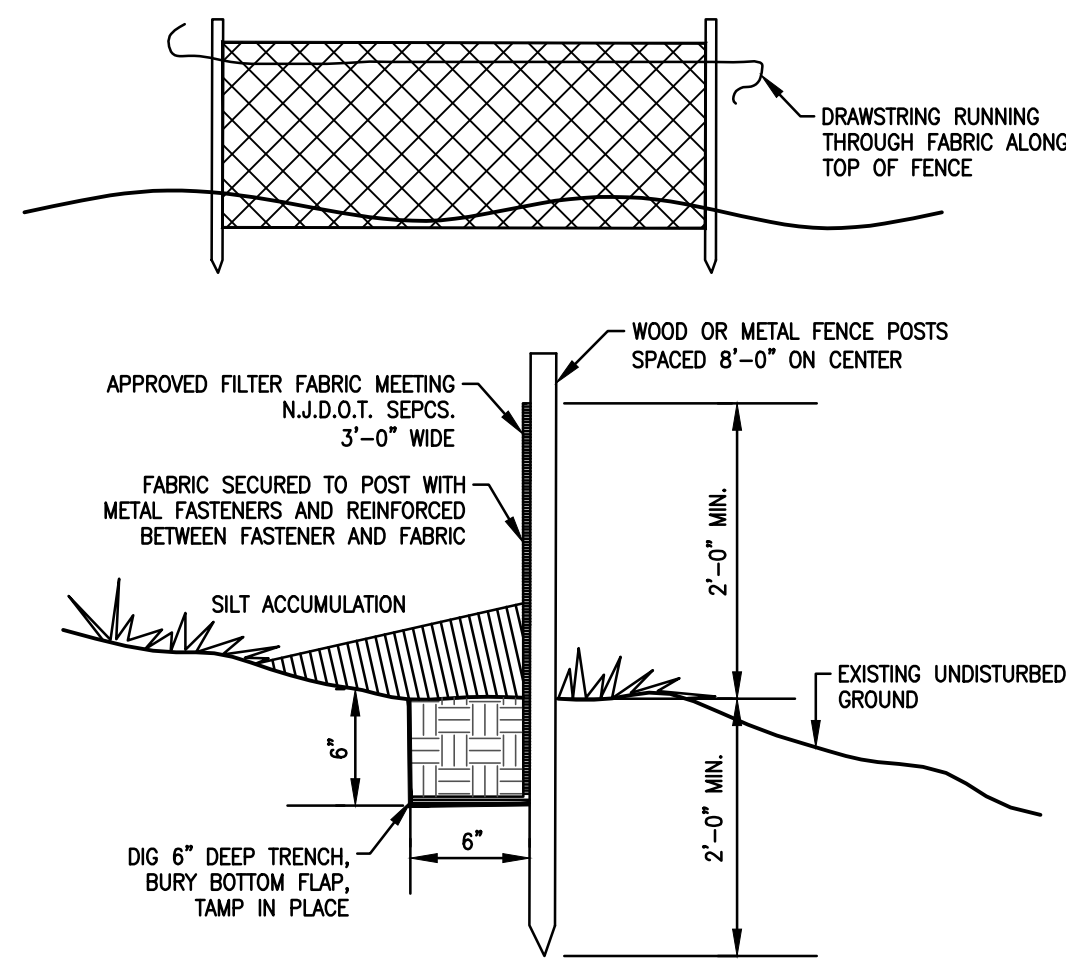
REVISIONS	
DATE	DESCRIPTION
09-28-2020	REVISIONS PER TOWNSHIP REVIEW COMMENTS
10-13-2020	REVISIONS PER TOWNSHIP REVIEW COMMENTS
11-16-2020	REVISIONS PER FSCD REVIEW COMMENTS
01-18-2022	REVISIONS PER GEOTECHNICAL REPORT
02-10-2022	REVISIONS PER TOWNSHIP REVIEW COMMENTS

THE OWNER AND CONTRACTOR SHALL HOLD HARMLESS THE ENGINEER FROM AND AGAINST ALL CLAIMS, DAMAGES, LOSSES AND EXPENSES INCLUDING ATTORNEY'S FEES ARISING OUT OF OR RESULTING FROM THE PERFORMANCE OF THE WORK BY THE CONTRACTOR. CHANGES TO THE PLANS BY THE OWNER AND THE CONTRACTOR SHALL BE THE RESPONSIBILITY OF THE PERSONS MAKING SUCH CHANGES. THE CONTRACTOR SHALL CHECK AND VERIFY ALL PLAN DIMENSIONS AND CONDITIONS BEFORE PROCEEDING WITH CONSTRUCTION.

**EDWARD BOGAN** PROFESSIONAL ENGINEER  
N.J. LICENSE NO. 222860  
DATE: 07-01-2020 SCALE: 1"=30' DRAWN: REB CHECKED: FF SHEET: 18 OF 25 JOB: PW-0008

S:\Grotto Road Projects\Roadway\Sheet\Ethel Road Road Improvement Plan D - 12.27.22.dwg 2/10/2022



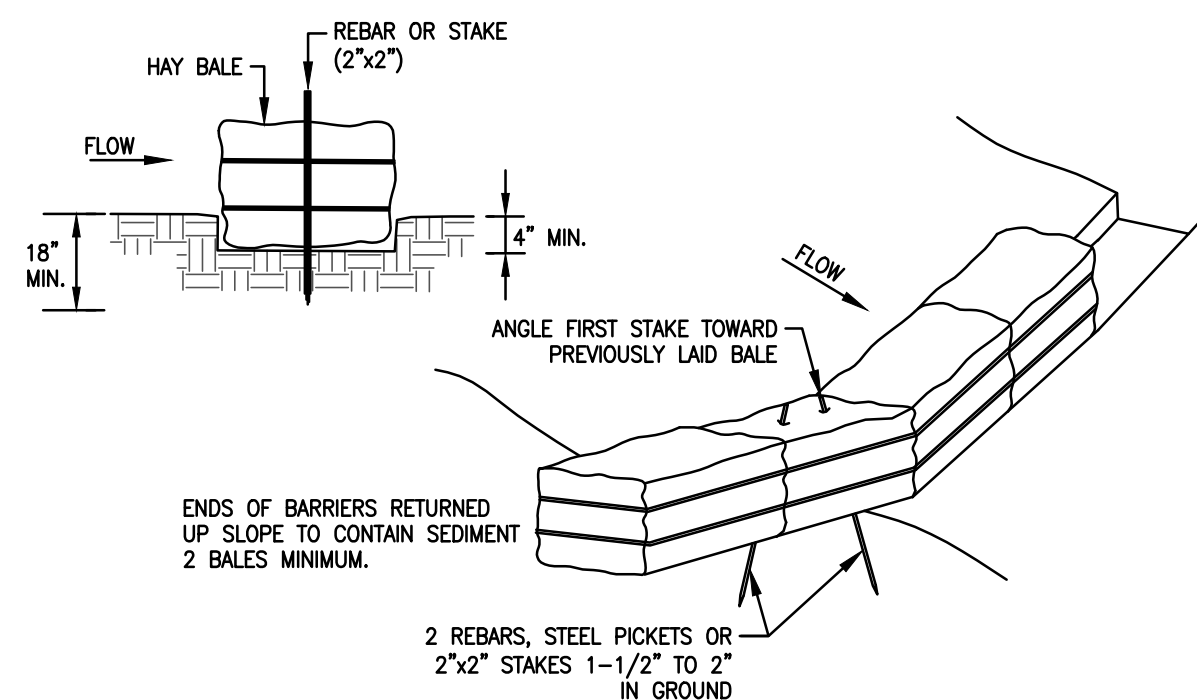


**REQUIREMENTS FOR SILT FENCE:**

1. FENCE POSTS SHALL BE SPACED 8 FEET CENTER-TO-CENTER OR CLOSER. THEY SHALL EXTEND AT LEAST 2 FEET INTO THE GROUND AND EXTEND AT LEAST 2 FEET ABOVE GROUND. POSTS SHALL BE CONSTRUCTED OF HARDWOOD WITH A MINIMUM DIAMETER THICKNESS OF 1-1/2 INCHES.
2. A METAL FENCE WITH 6 INCH OR SMALLER OPENINGS AND AT LEAST 2 FEET HIGH MAY BE UTILIZED. FASTEN TO THE FENCE POSTS. TO PROVIDE REINFORCEMENT AND SUPPORT TO THE GEOTEXTILE FABRIC WHERE SPACE FOR OTHER PRACTICES IS LIMITED AND HEAVY SEDIMENT LOADING IS EXPECTED.
3. A GEOTEXTILE FABRIC, RECOMMENDED FOR SUCH USE BY THE MANUFACTURER, SHALL BE BURIED AT LEAST 6 INCHES DEEP IN THE GROUND. THE FABRIC SHALL EXTEND AT LEAST 2 FEET ABOVE THE GROUND. THE FABRIC MUST BE SECURELY FASTENED TO THE POSTS USING A SYSTEM CONSISTING OF METAL FASTENERS (NAILS OR STAPLES) AND A HIGH STRENGTH REINFORCEMENT MATERIAL (NYLON WEBBING, GROMMETS, WASHERS, ETC.) PLACED BETWEEN THE FASTENER AND THE GEOTEXTILE FABRIC. THE FASTENING SYSTEM SHALL RESIST TEARING AWAY FROM THE POST. THE FABRIC SHALL INCORPORATE A DRAWSTRING IN THE TOP PORTION OF THE FENCE FOR ADDED STRENGTH.
4. THE SLOPE OF LAND FOR AT LEAST 30 FT. ADJACENT TO ANY SILT FENCE SHALL NOT EXCEED 5%.
5. SILT FENCE SHALL BE INSTALLED SO THAT WATER CAN NOT BYPASS THE FENCE AROUND ITS ENDS.
6. INSPECTION SHALL BE FREQUENT AND REPAIR OR REPLACEMENT SHALL BE MADE PROMPTLY AS POSSIBLE.

**SILT FENCE**

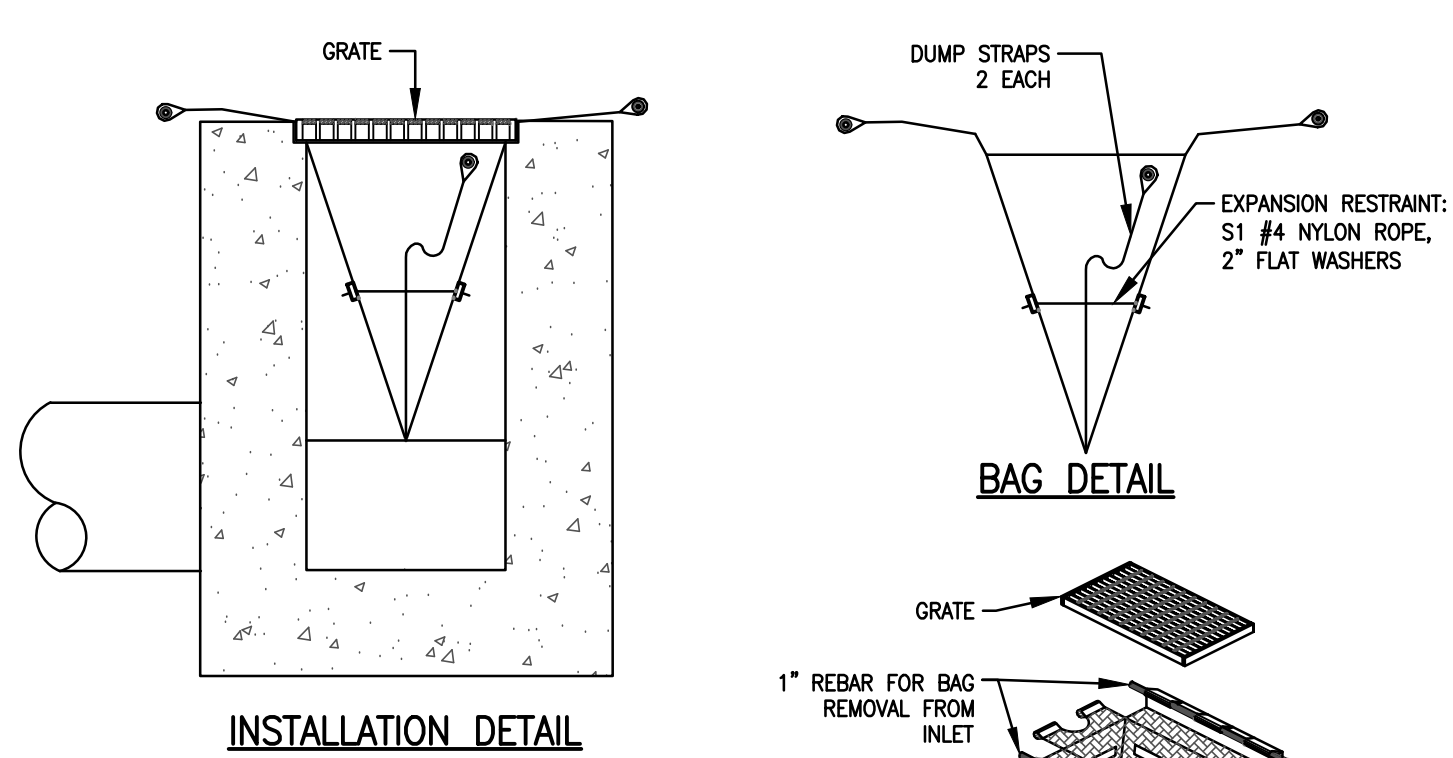
N.T.S.



- NOTES:
1. BALES SHALL BE PLACED ON THE TOE OF SLOPE ON THE CONTOUR, AND IN A ROW WITH ENDS TIGHTLY ABUTTING THE ADJACENT BALES.
  2. EACH BALE SHALL BE EMBEDDED IN THE SOIL A MINIMUM OF 4" AND PLACED SO THAT BINDINGS ARE HORIZONTAL.
  3. BALES SHALL BE SECURELY ANCHORED IN PLACE BY 2 WOODEN OR METAL STAKES DRIVEN THROUGH EACH BALE. THE FIRST STAKE SHALL BE DRIVEN TOWARD THE PREVIOUSLY LAID BALE AT AN ANGLE TO FORCE THE BALES TOGETHER.
  4. INSPECTION SHALL BE FREQUENT AND REPAIR OR REPLACEMENT SHALL BE MADE PROMPTLY AS NEEDED.

**STAKED HAYBALE FILTER DETAIL**

N.T.S.

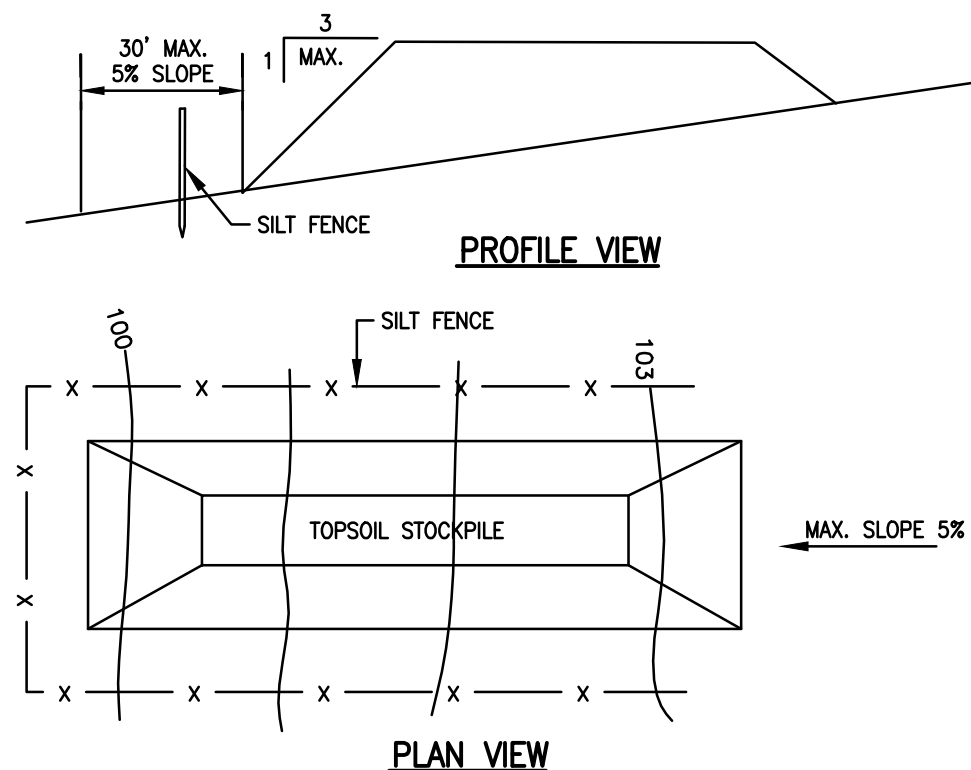


- NOTES:
1. FILTER TYPES SHALL BE APPROVED BY THE INSPECTOR PRIOR TO INSTALLATION.
  2. FILTER BAGS MAY BE REMOVED WHEN SITE IS STABILIZED AT THE DIRECTION OF THE ENGINEER.
  3. FILTER BAGS SHALL BE REMOVED PRIOR TO STREET ACCEPTANCE.
  4. FILTER BAGS SHALL BE CLEANED OR REPLACED ON A REGULAR BASIS (NOT TO BE MORE THAN HALF FULL AT ANY TIME).

**INSTALLATION DETAIL**

**SILT SACK INLET FILTER DETAIL**

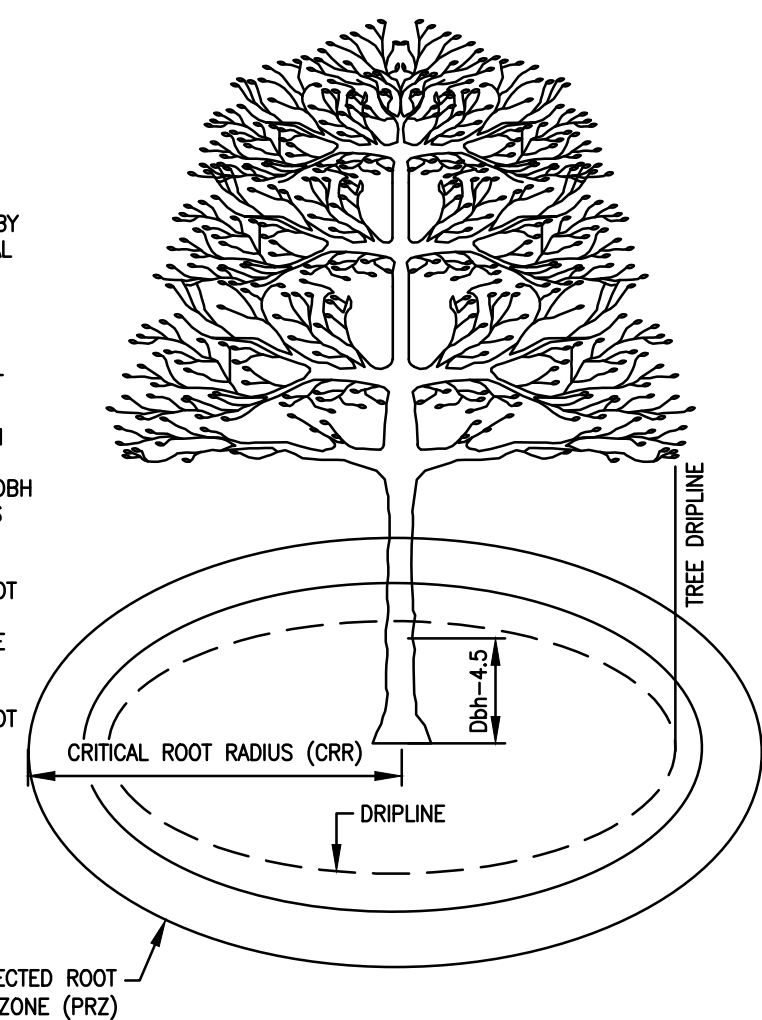
N.T.S.



- NOTES:
1. PLACE ALL STOCKPILES AT LOCATIONS AS SHOWN ON THE SOIL EROSION AND SEDIMENT CONTROL PLANS.
  2. STOCKPILE SHALL RECEIVE A VEGETATIVE COVER IN ACCORDANCE WITH MINIMUM STABILIZATION REQUIREMENTS.
  3. SILT FENCE SHALL BE INSTALLED AS SHOWN HEREON.

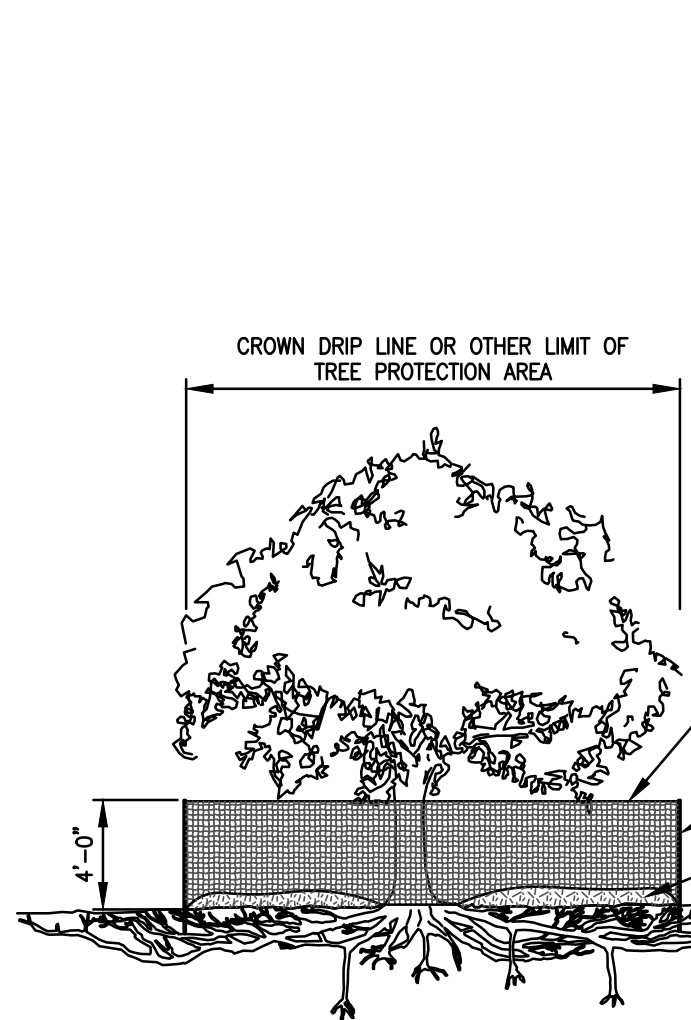
**TOPSOIL STOCKPILE**

N.T.S.



**TREE PROTECTION DETAIL**

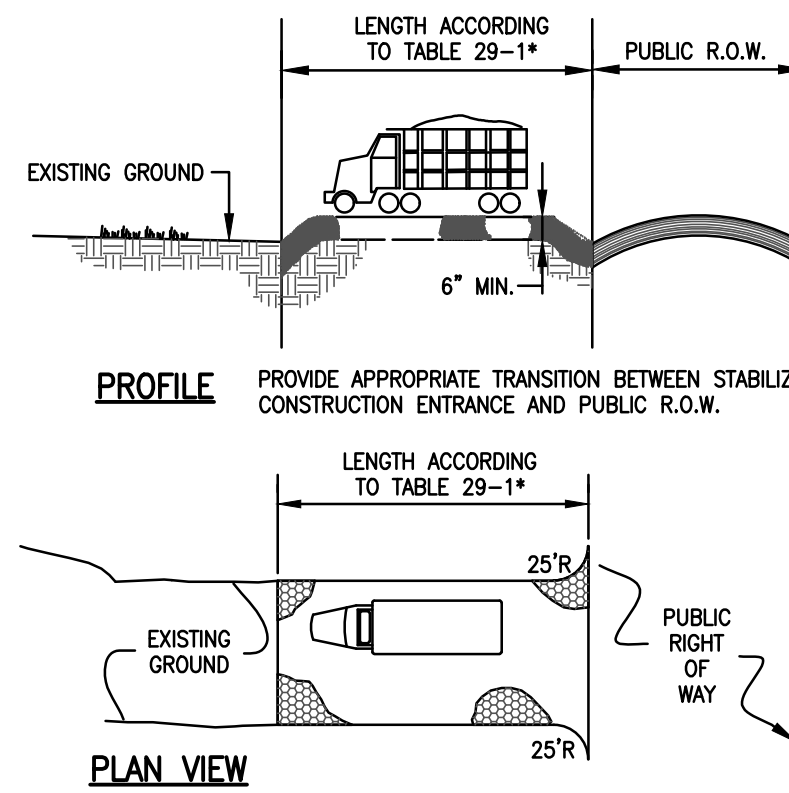
N.T.S.



- NOTES:
1. SEE SPECIFICATIONS FOR ADDITIONAL TREE PROTECTION REQUIREMENTS.
  2. IF THERE IS NO EXISTING IRRIGATION, SEE SPECIFICATIONS FOR WATERING REQUIREMENTS.
  3. NO PRUNING SHALL BE PERFORMED EXCEPT BY APPROVED ARBORIST.
  4. NO EQUIPMENT SHALL OPERATE INSIDE THE PROTECTIVE FENCING INCLUDING DURING FENCE INSTALLATION AND REMOVAL.

**TEMPORARY STABILIZED CONSTRUCTION ENTRANCE**

N.T.S.



- NOTES:
1. PLACE ALL STOCKPILES AT LOCATIONS AS SHOWN ON THE SOIL EROSION AND SEDIMENT CONTROL PLANS.
  2. STOCKPILE SHALL RECEIVE A VEGETATIVE COVER IN ACCORDANCE WITH MINIMUM STABILIZATION REQUIREMENTS.
  3. SILT FENCE SHALL BE INSTALLED AS SHOWN HEREON.

PERCENT SLOPE OF ROADWAY	LENGTH OF STONE REQUIRED
0 TO 2%	50 FT
2 TO 5%	100 FT
>5%	ENTIRE SURFACE STABILIZED WITH FABC BASE COURSE <sup>1</sup>

1. AS PRESCRIBED BY LOCAL ORDINANCE OR OTHER COVERING AUTHORITY

**SEEDING SCHEDULE**

1. TEMPORARY SEEDING SHALL CONSIST OF SPRING OATS APPLIED AT A RATE OF 2.0 LBS. PER 1,000 SF. OR PERENNIAL RYEGRASS APPLIED AT A RATE OF 2.5 LBS PER 1,000 SF. TEMPORARY SEEDING TO BE MAINTAINED UNTIL DISTURBED AREAS ARE PERMANENTLY STABILIZED WITH PERMANENT SEEDING. IF ANY SERIOUS EROSION PROBLEMS OCCUR, THE ERODED AREAS SHALL BE REPAIRED AND STABILIZED WITH A MULCH AS INDICATED IN NOTE NO. 6. THE OPTIMUM SEEDING DATE IS MARCH 1 THROUGH MAY 15 AND AUGUST 15 THROUGH OCTOBER 1 FOR PERENNIAL RYE AND SPRING OATS.
2. PERMANENT SEEDING SHALL CONSIST OF THE FOLLOWING MIXTURE OR APPROVED EQUAL. OPTIMAL PLANTING DATES ARE AUGUST 15 THROUGH OCTOBER 15. THE ACCEPTABLE PLANTING DATED ARE MARCH 1 THROUGH AUGUST 14.  
WELL TO MODERATELY WELL DRAINED LOTS (MIXTURE #14):  
TALL FESCUE ● 6.0 LBS/1,000 SF  
KENTUCKY BLUEGRASS (BLEND) ● 0.5 LBS/1,000 SF  
PERENNIAL RYEGRASS (BLEND) ● 0.5 LBS/1,000 SF
3. FERTILIZER FOR THE ESTABLISHMENT OF TEMPORARY VEGETATIVE COVER SHALL BE 10-20-10 APPLIED AT A RATE OF 11 LBS PER 1,000 SF OR AS DETERMINED BY SOIL TESTS. FERTILIZER FOR THE ESTABLISHMENT OF TEMPORARY VEGETATIVE COVER SHALL BE 10-10-10 APPLIED AT A RATE OF 11 LBS PER 1,000 SF OR AS DETERMINED BY SOIL TESTS. LIMESTONE FOR TEMPORARY SEEDING SHALL BE APPLIED AT A RATE OF 90 LBS PER 1,000 SF. LIMESTONE FOR PERMANENT SEEDING SHALL BE APPLIED AT A RATE OF 90 LBS PER 1,000 SF.
4. MULCHING IS REQUIRED ON ALL SEEDING. SEE MULCHING NOTES, THIS SHEET.
5. IF SEASON PREVENTS THE ESTABLISHMENT OF TEMPORARY OR PERMANENT SEEDING, EXPOSED AREAS TO BE STABILIZED WITH MULCH AS INDICATED IN NOTE NO. 6.
6. MULCH TO CONSIST OF SMALL GRAIN STRAW OR SALT HAY ANCHORED WITH A WOOD AND FIBER MULCH BINDER OR AN APPROVED EQUAL. MULCH WILL BE SPREAD AT A RATE OF 90 TO 115 LBS PER 1,000 SF AND ANCHORED WITH A MULCH ANCHORING TOOL OR LIQUID MULCH BINDER.
7. WORK LIME AND FERTILIZER INTO THE SOIL AS NEARLY AS PRACTICAL TO A DEPTH OF 4 INCHES WITH A DISC, SPRING-TOOTHED HARROW, OR OTHER SUITABLE EQUIPMENT. THE FLAY, HARROWING OR DISCING OPERATION SHOULD BE ON THE GENERAL CONTOUR. CONTINUE TILLAGE UNTIL A REASONABLY UNIFORM, FINE SEEDBED IS PREPARED. ALL BUT CLAY OR SILTY SOILS AND COARSE SANDS SHOULD BE ROLLED TO FIRM THE SEEDBED WHEREVER FEASIBLE.
8. REMOVE FROM THE SURFACE ALL STONES TWO NICHES OR LARGER IN ANY DIMENSION. REMOVE ALL OTHER DEBRIS SUCH AS WIRE, CABLE, TREE ROOTS, PIECES OF CONCRETE, CLODS, LUMPS OR OTHER UNSUITABLE MATERIALS.
9. INSPECT SEEDBED JUST BEFORE SEEDING. IF TRAFFIC HAS LEFT THE SOIL COMPACTED, THE AREA MUST BE RE-TILLED AND FIRMED AS ABOVE.

**GRADE STABILIZATION NOTES**

1. GRADE SLOPES AS PER PLAN.
2. APPLY LIMESTONE AT A RATE OF APPROXIMATELY 2 TONS PER ACRE AND FERTILIZER AT APPROXIMATELY 500 POUNDS PER ACRE (10-20-10 OR EQUAL).
3. WORK LIME AND FERTILIZER INTO SOIL TO A DEPTH OF 4 INCHES.
4. APPLY SEED 40 POUNDS PER ACRE BY HAND, CYCLONE SEEDER OR HYDRO-SEEDER.
5. ROLL SEED BED TO A UNIFORM COMPACTION.
6. MULCH AND STABILIZE AS PER MULCHING AND TACKING SPECIFICATIONS ON THIS SHEET.
7. STEEP SLOPES TO BE STABILIZED WITH JUTE MATTING (3:1 OR STEEPER).

**CONSTRUCTION SCHEDULE**

1. INSTALL INLET FILTERS AS SHOWN ON THE SOIL EROSION AND SEDIMENT CONTROL PLAN AND SILT FENCE ALONG LIMIT OF DISTURBANCE LINE AS NECESSARY 2 DAYS
2. CLEAR LAND AREAS ON WHICH CONSTRUCTION WILL TAKE PLACE. TREES SHALL REMAIN WHEREVER POSSIBLE. 3 DAYS
3. STABILIZE ALL AREAS NOT SUBJECT TO CONSTRUCTION TRAFFIC THAT WILL REMAIN EXPOSED FOR MORE THAN 30 DAYS. 4 DAYS
4. INSTALLATION OF UTILITIES WITH EROSION CONTROL DEVICES (TEMPORARY SEEDING, INLET PROTECTION AND TEMPORARY STABILIZATION). ONGOING
5. INSTALL CURBING, DRIVEWAY APRONS, RECONSTRUCT DRIVEWAYS. ONGOING
6. MILLING AND ROADWAY RECONSTRUCTION. 1 MONTH
7. INSTALL FINAL PAVEMENT 1 MONTH
8. BEGIN FINE GRADING ALONG RESIDENTIAL FRONTAGES. 1 WEEK
9. INSTALL LANDSCAPING ALONG PERMANENT SEEDING, FERTILIZING AND MULCH. 2 WEEKS
10. WHEN AREA IS STABILIZED, SEDIMENT CONTROL STRUCTURES CAN BE REMOVED. 2 DAYS

**MULCHING NOTES**

1. GRADING SHALL BE PERFORMED AS PER STANDARDS FOR LAND GRADING IN THE "STANDARDS FOR SOIL EROSION AND SEDIMENT CONTROL IN NEW JERSEY", SECTION 19.1.
2. PERMANENT SEED SHALL BE APPLIED AS PER STANDARD OF THIS SHEET.
3. STRAW OR HAY MULCHING IS REQUIRED ON ALL SEEDING AND SHALL CONSIST OF THE FOLLOWING: UNROTTED SMALL GRAIN STRAW, HAY FREE OF SEEDS, TO BE APPLIED AT THE RATE OF 1-1/2 TO 2 TONS PER ACRE (70 TO 90 POUNDS PER 1,000 SQUARE FEET).
4. SPREAD MULCH UNIFORMLY BY HAND OR MECHANICALLY SO THAT APPROXIMATELY 85% OF THE SOIL SURFACE IS COVERED.
5. LIQUID MULCH BINDER (TACKIFIER) SHALL BE APPLIED IN ACCORDANCE WITH THE MANUFACTURER'S RECOMMENDATIONS.

**VEGETATIVE COVER MAINTENANCE NOTES**

1. MAINTENANCE SHOULD OCCUR ON A REGULAR BASIS, CONSISTENT WITH FAVORABLE PLANT GROWTH, SOIL AND CLIMATIC CONDITIONS. THIS INVOLVES REGULAR SEASONAL WORK FOR MOWING, FERTILIZING, LIMING, WATER, PRUNING, FIRE CONTROL, WEED AND PEST CONTROL, RE-SEEDING AND TIMELY REPAIRS.
2. MOWING ON IMPROVED AREAS, SUCH AS LAWNS, CERTAIN RECREATION FIELDS AND PICNIC AREAS SHALL BE FREQUENT, ON SEMI-IMPROVED AREAS, MOWING WILL BE INFREQUENT. UNIMPROVED AREAS MAY BE LEFT UNMOWN TO PERMIT NATURAL SUCCESSION.
3. FERTILIZER SHOULD BE APPLIED AS NEEDED TO MAINTAIN A DENSE STAND OR DESIRABLE SPECIES. FREQUENTLY MOWED AREAS AND THOSE AREAS ON SANDY SOILS WILL REQUIRE MORE FERTILIZATION.
4. LIME REQUIREMENT SHOULD BE DETERMINED BY SOIL TESTING TO BE DONE EVERY 2 OR 3 YEARS. FERTILIZATION WILL INCREASE THE NEED FOR LIMING.
5. WEED INVASION MAY RESULT FROM ABUSIVE MOWING AND INADEQUATE FERTILIZATION AND LIMING. BRUSH INVASION IS A COMMON CONSEQUENCE OF LACK OF MOWING. CONTROL OF WEEDS OR BRUSH SHALL BE ACCOMPLISHED BY USING HERBICIDES OR MECHANICAL METHODS.
6. THE PROPERTY OWNER OR TENANT BY CONTRACT SHALL BE RESPONSIBLE FOR MAINTENANCE DURING AND AFTER CONSTRUCTION.

**BASIC COMPACTION NOTES**

1. IMMEDIATELY PRIOR TO SEEDING, THE SURFACE SHOULD BE SCARIFIED 6" TO 12" INCHES WHERE THERE HAS BEEN SOIL COMPACTION. THIS PRACTICE IS PERMISSIBLE ONLY WHERE THERE IS NO DANGER TO UNDERGROUND UTILITIES (CABLES, IRRIGATION SYSTEMS, ETC.)
2. INSPECT SITE JUST BEFORE SEEDING. IF TRAFFIC HAS LEFT THE SOIL COMPACTED, THE AREA MUST BE RETILLED AND FIRMED IN ACCORDANCE WITH ABOVE.
3. IMMEDIATELY PRIOR TO TOPSOILING, THE SURFACE SHOULD BE SCARIFIED 6" TO 12" INCHES WHERE THERE HAS BEEN SOIL COMPACTION. THIS WILL HELP INSURE A GOOD BOND BETWEEN THE TOPSOIL AND SUBSOIL. THIS PRACTICE IS PERMISSIBLE ONLY WHERE THERE IS NO DANGER TO UNDERGROUND UTILITIES (CABLES, IRRIGATION SYSTEMS, ETC.)
4. SOIL COMPACTION RESULTING FROM LAND GRADING ACTIVITIES CAN IMPACT THE INFILTRATION RATE OF THE SOIL. RESTORATION OF COMPACTED SOILS THROUGH DEEP TILLAGE (6" TO 12") AND THE ADDITION OF ORGANIC MATTER MAY BE REQUIRED IN PLANNED PERVIOUS AREAS TO ENHANCE THE INFILTRATION RATE OF THE DISTURBED SOIL. THIS PRACTICE IS PERMISSIBLE ONLY WHERE THERE IS NO DANGER TO UNDERGROUND UTILITIES (CABLES, IRRIGATION SYSTEMS, ETC.)
5. TO PREVENT COMPACTION OF THE SUBSOIL WHICH WILL REDUCE ITS INFILTRATION CAPACITY, BASINS SHOULD BE EXCAVATED WITH LIGHT EARTH MOVING EQUIPMENT, PREFERABLY WITH TRACKS OR OVER-SIZED TIRES RATHER THAN THE NORMAL RUBBER TIRES. ONCE THE FINAL CONSTRUCTION PHASE IS REACHED, THE FLOOR OF THE BASIN SHALL BE DEEPLY TILLED WITH A ROTARY TILLER OR DISC HARROW AND SMOOTHED OVER WITH A LEVELING DRAG OR EQUIVALENT GRADING EQUIPMENT.
6. FOR BASINS, ANNUAL TILLING OPERATIONS MAINTAIN INFILTRATION CAPACITY. THESE TILLED AREAS SHOULD BE RE-VEGETATED IMMEDIATELY TO PREVENT EROSION. DEEP TILLING CAN BE USED TO BREAKUP CLOGGED SURFACE LAYERS FOLLOWED BY REGRADING AND LEVELING. SAND OR ORGANIC MATTER CAN BE TILLED INTO THE BASIN FLOOR TO PROMOTE A RESTORED INFILTRATION CAPACITY. SEDIMENT REMOVAL PROCEDURES SHOULD NOT BE UNDERTAKEN UNTIL THE BASIN IS THOROUGHLY DRY. THE TOP LAYER SHOULD BE REMOVED BY LIGHT EQUIPMENT TO PREVENT COMPACTION. THE REMAINING SOIL CAN BE RETILLED AND DISTURBED VEGETATION REPLANTED.

**SOIL EROSION NOTES**

FREEHOLD SOIL CONSERVATION DISTRICT

1. THE FREEHOLD SOIL CONSERVATION DISTRICT SHALL BE NOTIFIED FORTY-EIGHT (48) HOURS IN ADVANCE OF ANY SOIL DISTURBING ACTIVITY.
2. ALL SOIL EROSION AND SEDIMENT CONTROL PRACTICES ARE TO BE INSTALLED PRIOR TO SOIL DISTURBANCE, OR IN THEIR PROPER SEQUENCE, AND MAINTAINED UNTIL PERMANENT PROTECTION IS ESTABLISHED.
3. ANY CHANGES TO THE CERTIFIED SOIL EROSION AND SEDIMENT CONTROL PLANS WILL REQUIRE THE SUBMISSION OF REVISED SOIL EROSION AND SEDIMENT CONTROL PLANS TO THE DISTRICT FOR RE-CERTIFICATION. THE REVISED PLANS MUST MEET ALL CURRENT STATE SOIL EROSION AND SEDIMENT CONTROL STANDARDS.
4. N.J.S.A. 4:24-39 et. SEQ. REQUIRES THAT NO CERTIFICATES OF OCCUPANCY BE ISSUED BEFORE THE DISTRICT DETERMINES THAT THE PROJECT IS IN FULL COMPLIANCE WITH THE CERTIFIED PLAN AND STANDARDS FOR SOIL EROSION AND SEDIMENT CONTROL IN NEW JERSEY AND A REPORT OF COMPLIANCE HAS BEEN ISSUED. UPON WRITTEN REQUEST FROM THE APPLICANT, THE DISTRICT MAY ISSUE A REPORT OF COMPLIANCE WITH CONDITIONS ON A LOT-BY-LOT OR SECTION-BY-SECTION BASIS, PROVIDED THAT THE PROJECT OR PORTION THEREOF IS IN SATISFACTORY COMPLIANCE WITH THE SEQUENCE OF DEVELOPMENT AND TEMPORARY MEASURES FOR SOIL EROSION AND SEDIMENT CONTROL HAVE BEEN IMPLEMENTED, INCLUDING PROVISIONS FOR STABILIZATION AND SITE WORK.
5. ANY DISTURBED AREAS THAT WILL BE LEFT EXPOSED MORE THAN SIXTY (60) DAYS, AND NOT SUBJECT TO CONSTRUCTION TRAFFIC, WILL IMMEDIATELY RECEIVE A TEMPORARY SEEDING. IF THE SEASON PREVENTS THE ESTABLISHMENT OF TEMPORARY COVER, THE DISTURBED AREAS WILL BE MULCHED WITH STRAW, OR EQUIVALENT MATERIAL, AT A RATE OF 2 TO 2 1/2 TONS PER ACRE, ACCORDING TO STATE STANDARD FOR STABILIZATION WITH MULCH ONLY.
6. IMMEDIATELY FOLLOWING INITIAL DISTURBANCE OR ROUGH GRADING, ALL CRITICAL AREAS SUBJECT TO EROSION (I.E. SOIL STOCKPILES, STEEP SLOPES AND ROADWAY EMBANKMENTS) WILL RECEIVE TEMPORARY SEEDING IN COMBINATION WITH STRAW MULCH OR A SUITABLE EQUIVALENT, AND A MULCH ANCHOR, IN ACCORDANCE WITH STATE STANDARDS.
7. A SUB-BASE COURSE WILL BE APPLIED IMMEDIATELY FOLLOWING ROUGH GRADING AND INSTALLATION OF IMPROVEMENTS TO STABILIZE STREETS, ROADS, DRIVEWAYS, AND PARKING AREAS. IN AREAS WHERE NO UTILITIES ARE PRESENT, THE SUB-BASE SHALL BE INSTALLED WITHIN FIFTEEN (15) DAYS OF THE PRELIMINARY GRADING.
8. THE STANDARD FOR STABILIZED CONSTRUCTION ACCESS REQUIRES THE INSTALLATION OF A PAD OF CLEAN CRUSHED STONE AT POINTS WHERE TRAFFIC WILL BE ACCESSING THE CONSTRUCTION SITE. AFTER INTERIOR ROADWAYS ARE PAVED, INDIVIDUAL LOTS REQUIRE A STABILIZED CONSTRUCTION ACCESS CONSISTING OF ONE INCH TO TWO INCH (1" - 2") STONE FOR A MINIMUM LENGTH OF TEN FEET (10') EQUAL TO THE LOT ENTRANCE WIDTH. ALL OTHER ACCESS POINTS SHALL BE BLOCKED OFF.
9. ALL SOIL WASHED, DROPPED, SPILLED, OR TRACKED OUTSIDE THE LIMIT OF DISTURBANCE OR ONTO PUBLIC RIGHTS-OF-WAY WILL BE REMOVED IMMEDIATELY.
10. PERMANENT VEGETATION IS TO BE SEED OR SODDED ON ALL EXPOSED AREAS WITHIN TEN (10) DAYS AFTER FINAL GRADING.
11. AT THE TIME THAT SITE PREPARATION FOR PERMANENT VEGETATIVE STABILIZATION IS GOING TO BE ACCOMPLISHED, ANY SOIL THAT WILL NOT PROVIDE A SUITABLE ENVIRONMENT TO SUPPORT ADEQUATE VEGETATIVE GROUND COVER SHALL BE REMOVED OR TREATED IN SUCH A WAY THAT IT WILL PERMANENTLY ADJUST THE SOIL CONDITIONS AND RENDER IT SUITABLE FOR VEGETATIVE GROUND COVER. IF THE REMOVAL OR TREATMENT OF THE SOIL WILL NOT PROVIDE SUITABLE CONDITIONS, NON-VEGETATIVE MEANS OF PERMANENT GROUND STABILIZATION WILL HAVE TO BE EMPLOYED.
12. IN ACCORDANCE WITH THE STANDARD FOR MANAGEMENT OF HIGH ACID PRODUCING SOILS, ANY SOIL HAVING A pH OF 4 OR LESS OR CONTAINING IRON SULFIDES SHALL BE ULTIMATELY PLACED OR BURIED WITH LIMESTONE APPLIED AT THE RATE OF 10 TONS/ACRE, (OR 450 LBS/1,000 SQ. FT. OF SURFACE AREA) AND COVERED WITH A MINIMUM OF 12" OF SETTLED SOIL WITH A pH OF 5 OR MORE, OR 24" WHERE TREES OR SHRUBS ARE TO BE PLANTED.
13. CONDUIT OUTLET PROTECTION MUST BE INSTALLED AT ALL REQUIRED OUTFALLS PRIOR TO THE DRAINAGE SYSTEM BECOMING OPERATIONAL.
14. UNFILTERED DEWATERING IS NOT PERMITTED. NECESSARY PRECAUTIONS MUST BE TAKEN DURING ALL DEWATERING OPERATIONS TO MINIMIZE SEDIMENT TRANSFER. ANY DEWATERING METHODS USED MUST BE IN ACCORDANCE WITH THE STANDARD FOR DEWATERING.
15. SHOULD THE CONTROL OF DUST AT THE SITE BE NECESSARY, THE SITE WILL BE SPRINKLED UNTIL THE SURFACE IS WET. TEMPORARY VEGETATIVE COVER SHALL BE ESTABLISHED OR MULCH SHALL BE APPLIED AS REQUIRED BY THE STANDARD FOR DUST CONTROL.
16. STOCKPILE AND STAGING LOCATIONS ESTABLISHED IN THE FIELD SHALL BE PLACED WITHIN THE LIMIT OF DISTURBANCE WILL REQUIRE CERTIFICATION OF A REVISED SOIL EROSION AND SEDIMENT CONTROL PLAN. CERTIFICATION OF A NEW SOIL EROSION AND SEDIMENT CONTROL PLAN MAY BE REQUIRED FOR THESE ACTIVITIES IF AN AREA GREATER THAN 5,000 SQUARE FEET IS DISTURBED.
17. ALL SOIL STOCKPILES ARE TO BE TEMPORARILY STABILIZED WITH SOIL EROSION AND SEDIMENT CONTROL NOTE #6.
18. THE PROPERTY OWNER SHALL BE RESPONSIBLE FOR ANY EROSION OR SEDIMENTATION THAT MAY OCCUR BELOW STORMWATER OUTFALLS OR OFFSITE AS A RESULT OF CONSTRUCTION OF THE PROJECT.

**GENERAL SOIL EROSION NOTES:**

1. STOCKPILES ARE NOT TO BE LOCATED WITHIN 50 FEET OF A FLOOD PLAIN, SLOPE, ROADWAY, OR DRAINAGE FACILITY. THE BASE OF ALL STOCKPILES SHALL BE PROTECTED BY A HAY BALE BARRIER OR SEDIMENT CONTROL FACILITIES.
2. THE SITE SHALL AT ALL TIMES, BE GRADED AND MAINTAINED SUCH THAT ALL STORMWATER RUNOFF IS DIVERTED TO SOIL EROSION AND SEDIMENT CONTROL FACILITIES.
3. ALL SEDIMENTATION STRUCTURES SHALL BE INSPECTED AND MAINTAINED ON A REGULAR BASIS.
4. THE SOIL CONSERVATION DISTRICT MAY REQUEST ADDITIONAL MEASURES TO MINIMIZE ON-SITE OR OFF-SITE SOIL EROSION PROBLEMS DURING CONSTRUCTION.
5. ANY CONVEYANCE OF THIS PROJECT OR PORTION THEREOF PRIOR TO ITS COMPLETION WILL TRANSFER FULL RESPONSIBILITY FOR COMPLIANCE WITH THE CERTIFIED PLAN TO ANY SUBSEQUENT OWNER.
6. THE CONTRACTOR SHALL MAINTAIN PERMANENT SOIL EROSION AND SEDIMENT CONTROL MEASURES DURING CONSTRUCTION. THE OWNER SHALL MAINTAIN SAID MEASURES THEREAFTER.
7. THE SOIL EROSION AND SEDIMENT CONTROL PLAN IS TO BE USED FOR SOIL EROSION AND SEDIMENT CONTROL PURPOSES ONLY.

**DUST CONTROL NOTES**

- ANY OF THE FOLLOWING METHODS SHALL BE USED FOR DUST CONTROL:
1. MULCHES: SEE STABILIZATION SPECIFICATION.
  2. TILLAGE: TO ROUGHEN THE SURFACE AND BRING CLODS TO THE SURFACE. THIS IS A TEMPORARY EMERGENCY MEASURE WHICH SHOULD BE USED BEFORE SOIL BLOWING STARTS. BEGIN PLOWING ON WINDWARD SIDE OF SITE. CHISEL-TYPE PLOWS SPACED APPROXIMATELY 12" APART, AND SPRING-TOOTHED HARROWS ARE EXAMPLES OF EQUIPMENT WHICH MAY PRODUCE THE DESIRED EFFECT.
  3. SPRINKLING: SITE IS SPRINKLED UNTIL THE SURFACE IS WET.
  4. BARRIERS: BALES OF HAY AND/OR SILT FENCE CAN BE USED TO CONTROL AIR CURRENTS AND SOIL BLOWING.

**SOIL EROSION AND SEDIMENT CONTROL DETAILS - 1**

**ETHEL ROAD ROADWAY IMPROVEMENTS  
STELTON ROAD TO THE MUNICIPAL BORDER**

SITUATED IN  
**TOWNSHIP OF PISCATAWAY  
MIDDLESEX COUNTY, NEW JERSEY**

**Grotto Engineering Associates, LLC**  
ENGINEERS • PLANNERS • SURVEYORS  
Certificate of Authorization No. 24GA27918300  
340 NORTH AVENUE  
CRANFORD, NEW JERSEY 07016  
908-272-8901 (F) 908-272-8902

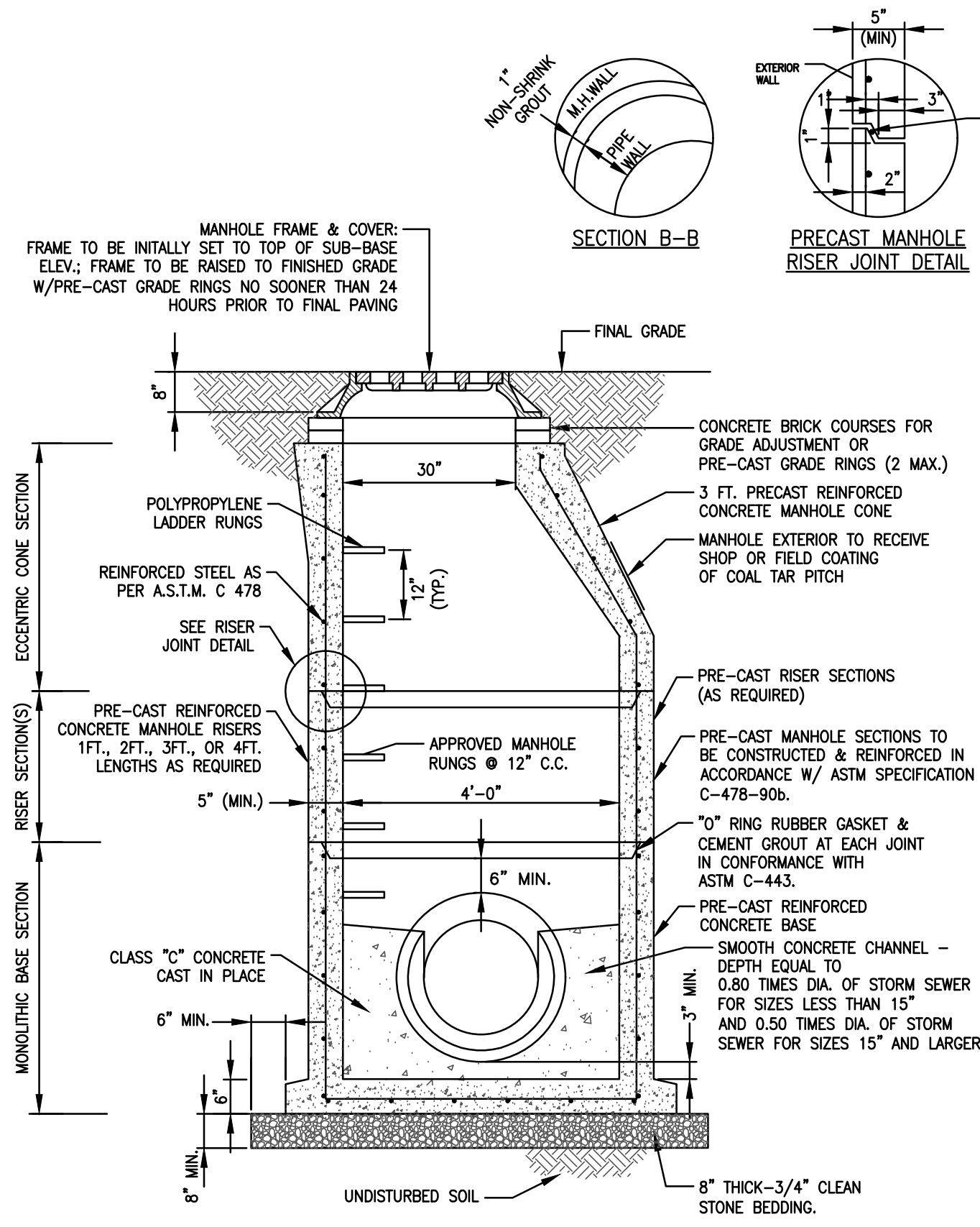
**EDWARD BOGAN** PROFESSIONAL ENGINEER  
N.J. LICENSE NO. 22260

DATE: 07-01-2020 SCALE: NOT TO SCALE DRAWN: REB CHECKED: FF SHEET: 10 OF 25 JOB: PW-0008

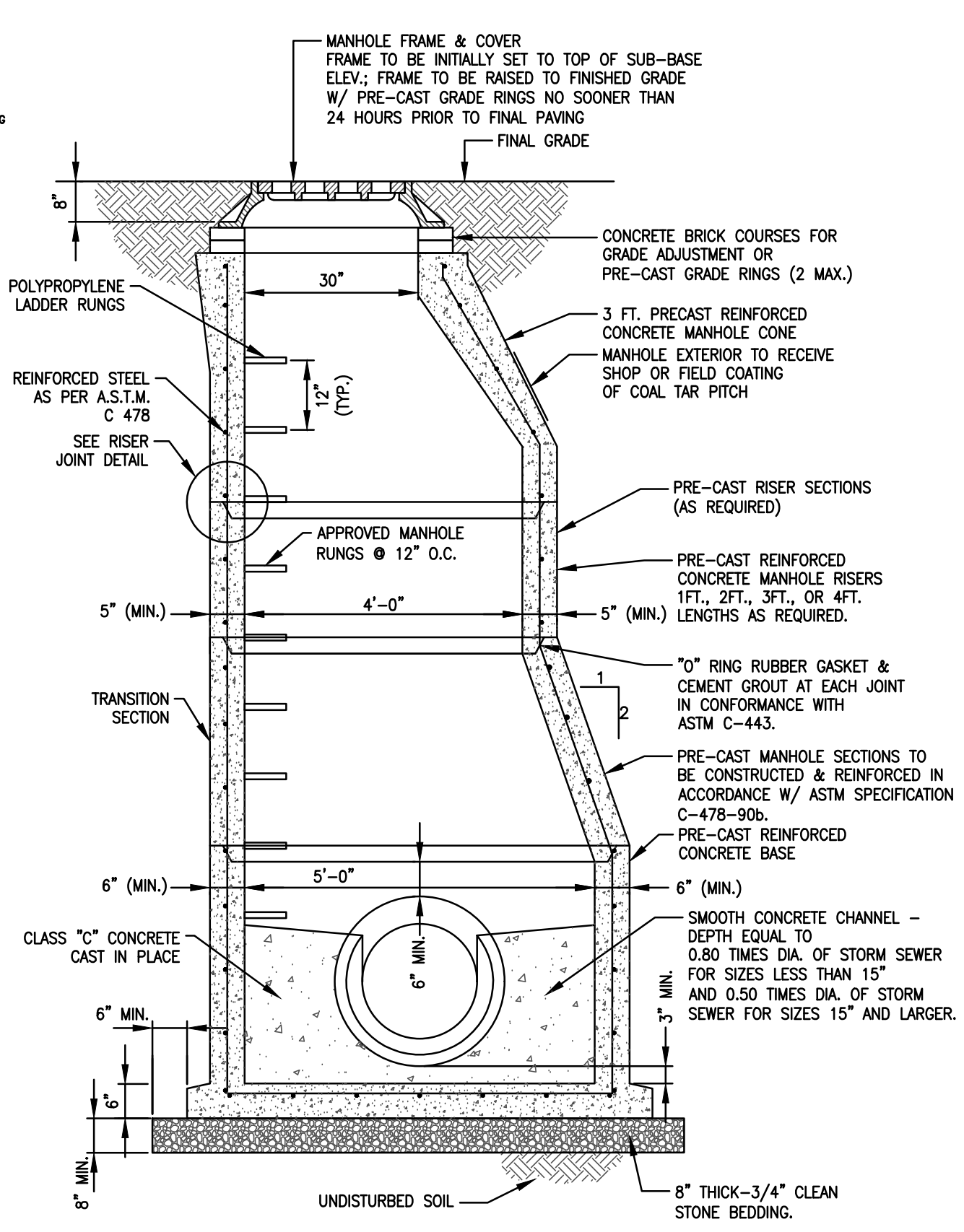
REVISIONS	
DATE	DESCRIPTION
09-28-2020	REVISIONS PER TOWNSHIP REVIEW COMMENTS
10-13-2020	REVISIONS PER TOWNSHIP REVIEW COMMENTS
11-16-2020	REVISIONS PER FSCD REVIEW COMMENTS
01-18-2022	REVISIONS PER GEOTECHNICAL REPORT
02-10-2022	REVISIONS PER TOWNSHIP REVIEW COMMENTS

THE OWNER AND CONTRACTOR SHALL HOLD HARMLESS THE ENGINEER FROM AND AGAINST ALL CLAIMS, DAMAGES, LOSSES AND EXPENSES INCLUDING ATTORNEY'S FEES ARISING OUT OF OR RESULTING FROM THE PERFORMANCE OF THE WORK BY THE CONTRACTOR. CHANGES TO THE PLANS BY THE OWNER AND THE CONTRACTOR SHALL BE THE RESPONSIBILITY OF THE PERSONS MAKING SUCH CHANGES. THE CONTRACTOR SHALL CHECK AND VERIFY ALL PLAN DIMENSIONS AND CONDITIONS BEFORE PROCEEDING WITH CONSTRUCTION.

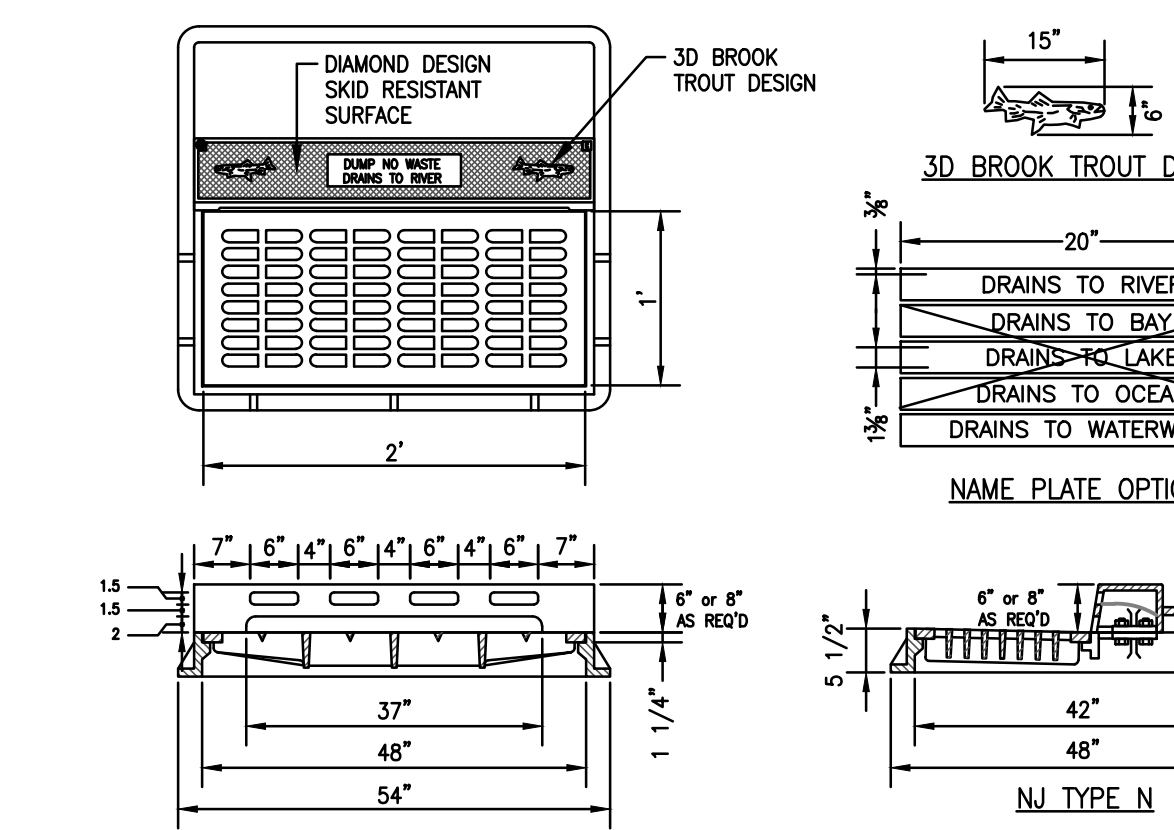




**STORM SEWER MANHOLE DETAIL**  
N.T.S.

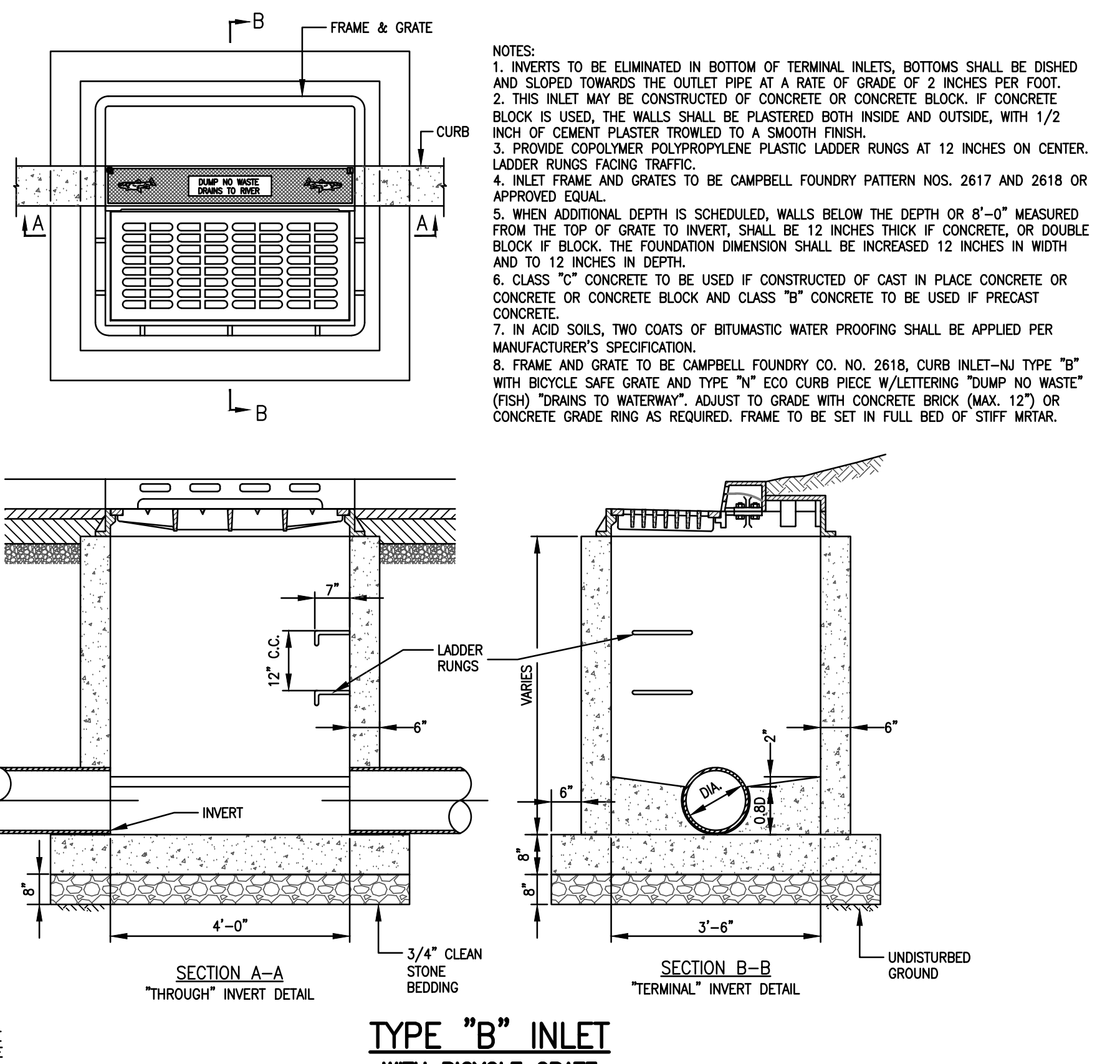


**STORM SEWER MANHOLE DETAIL**  
N.T.S.

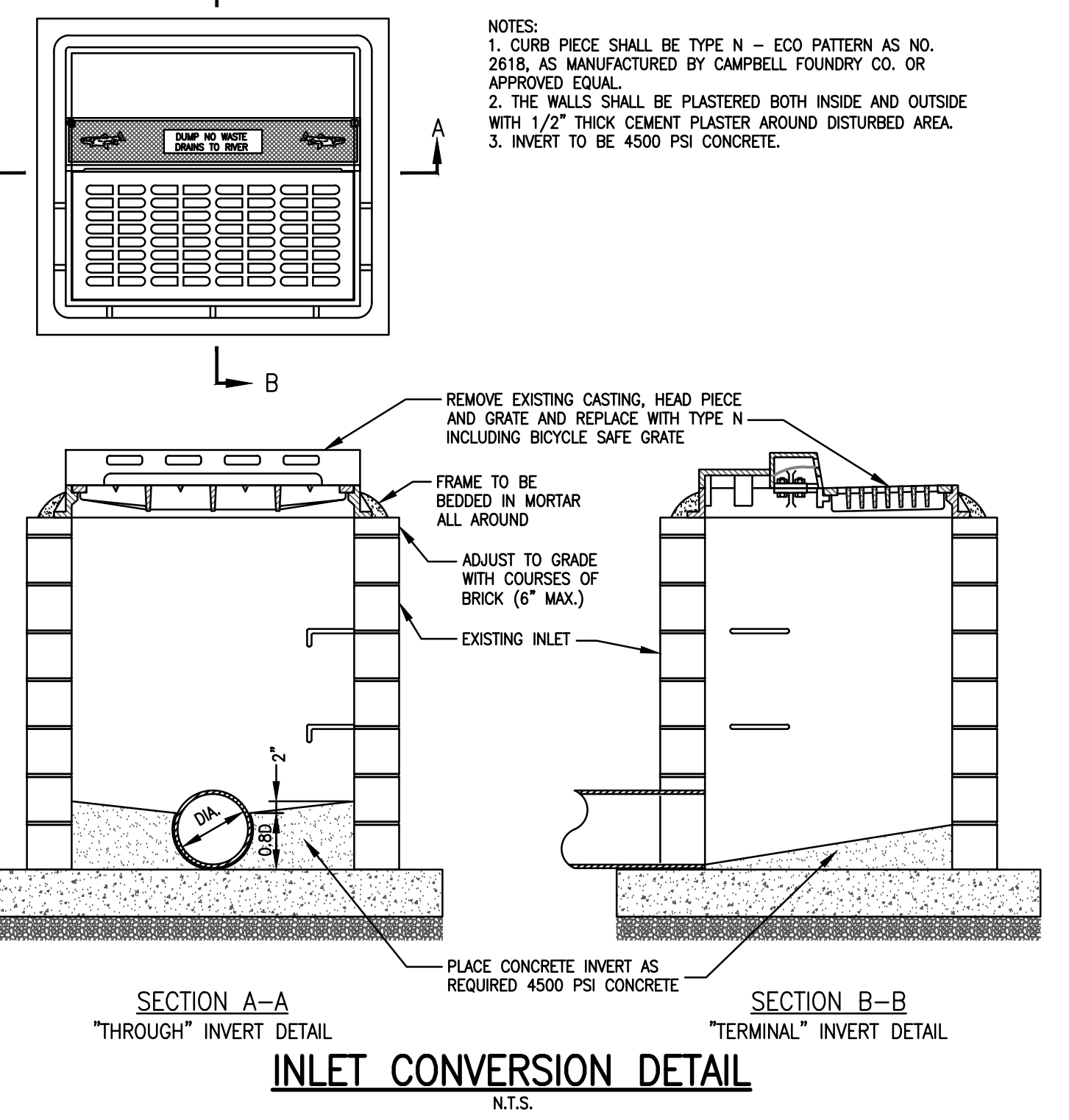


**CURB INLET WITH BICYCLE SAFE GRATE AND ECO CURB PIECE TYPE 'N'**  
(CAMPBELL FOUNDRY COMPANY PATTERN NO. 2618)  
N.T.S.

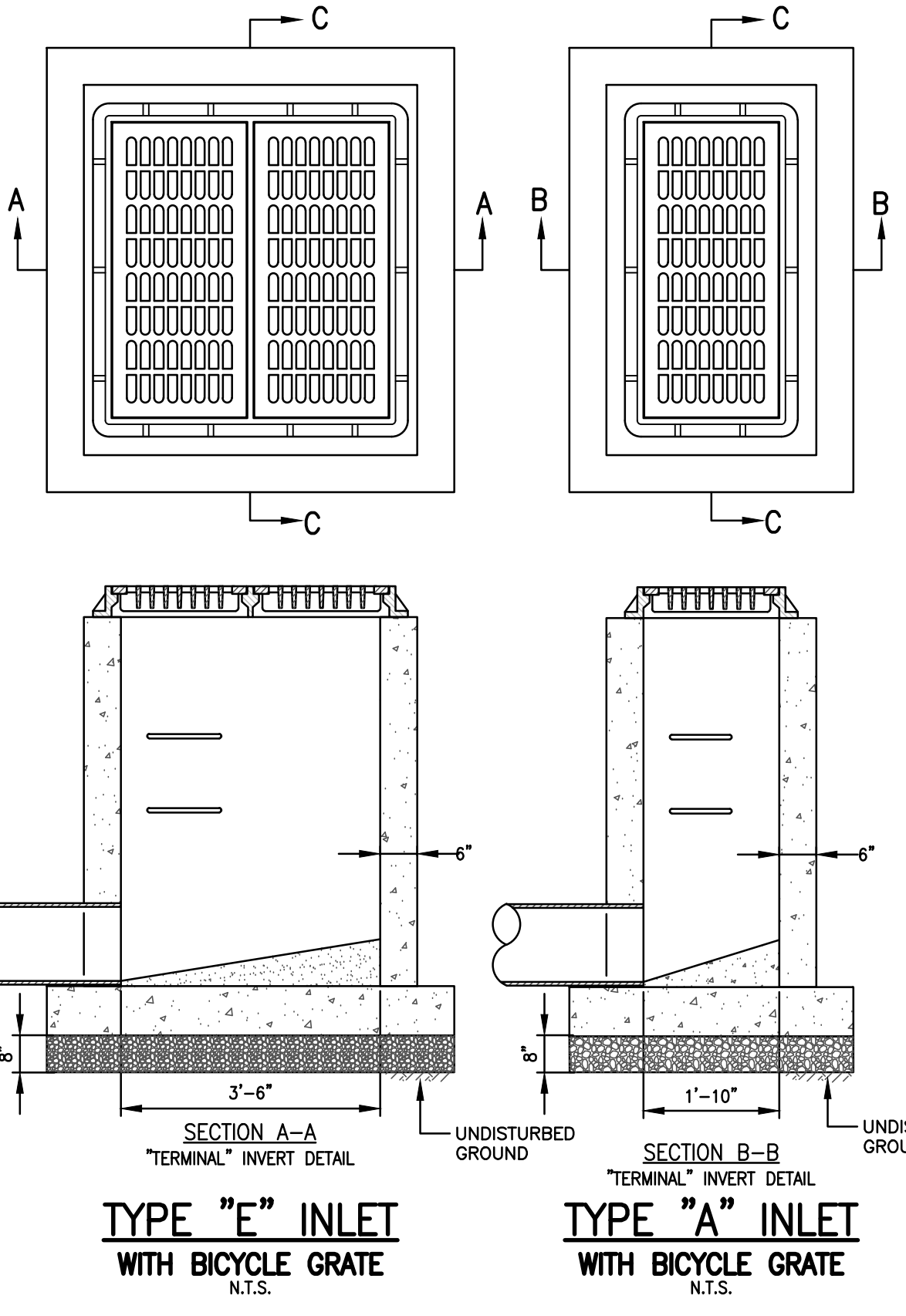
- NOTES:
1. FOOTING TO BE N.I.D.O.T., CLASS "C".
  2. INVERT TO BE CLASS "C" CONCRETE.
  3. IF WALL CONSTRUCTION IS OTHER THAN CONCRETE, THE WALLS SHALL BE PLASTERED BOTH INSIDE AND OUTSIDE WITH 1/2" THICK CEMENT PLASTER.
  4. FRAME AND GRATE TO BE NO. 3425 AS MANUFACTURED BY CAMPBELL FOUNDRY CO. OR APPROVED EQUAL.
  5. PROVIDE POLYPROPYLENE PLASTIC LADDER RUNGS AT 12" CENTER TO CENTER.
  6. WHEN ADDITIONAL DEPTH IS REQUIRED, WALLS BELOW THE DEPTH OF 8'-0" MEASURED FROM THE INLET GUTTER TO THE INVERT, SHALL BE 12" THICK. THE FOUNDATION DIMENSIONS SHALL BE INCREASED TO 12" WIDTHS AND TO 12" DEPTH.



**TYPE "B" INLET WITH BICYCLE GRATE**  
N.T.S.

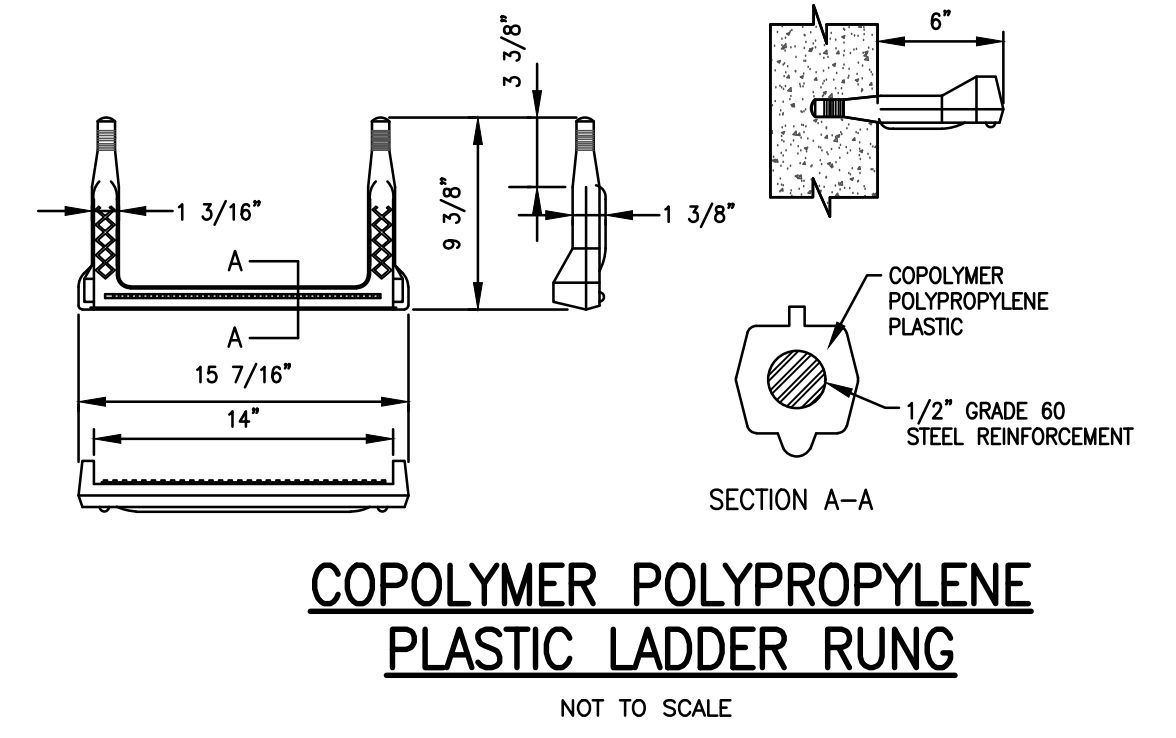


**INLET CONVERSION DETAIL**  
N.T.S.

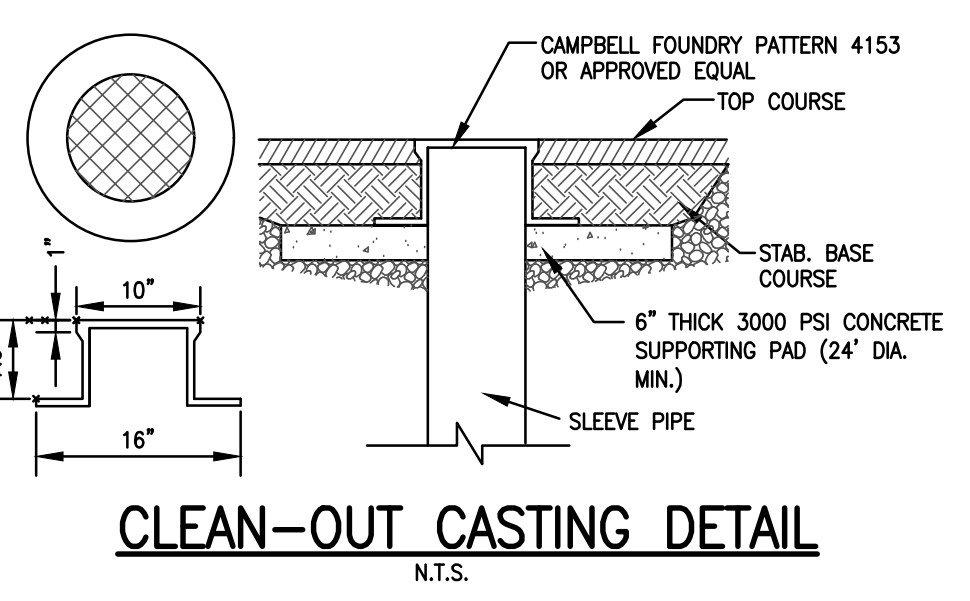


**TYPE "E" INLET WITH BICYCLE GRATE**  
N.T.S.

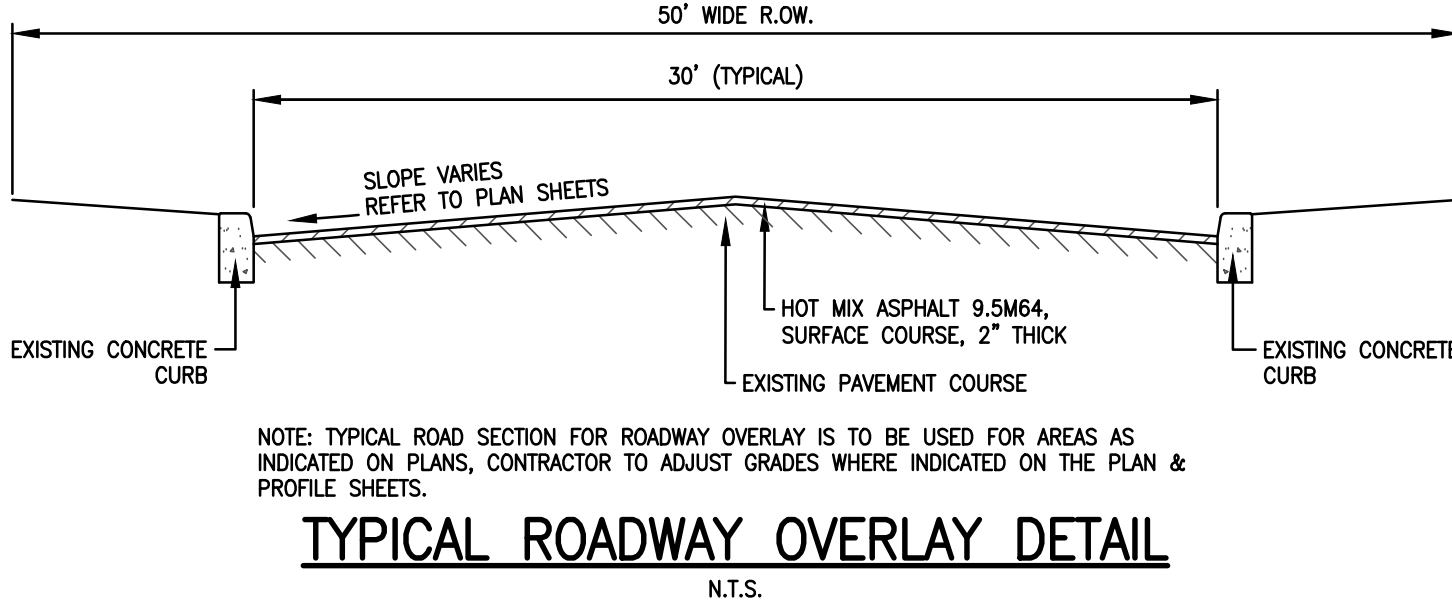
**TYPE "A" INLET WITH BICYCLE GRATE**  
N.T.S.



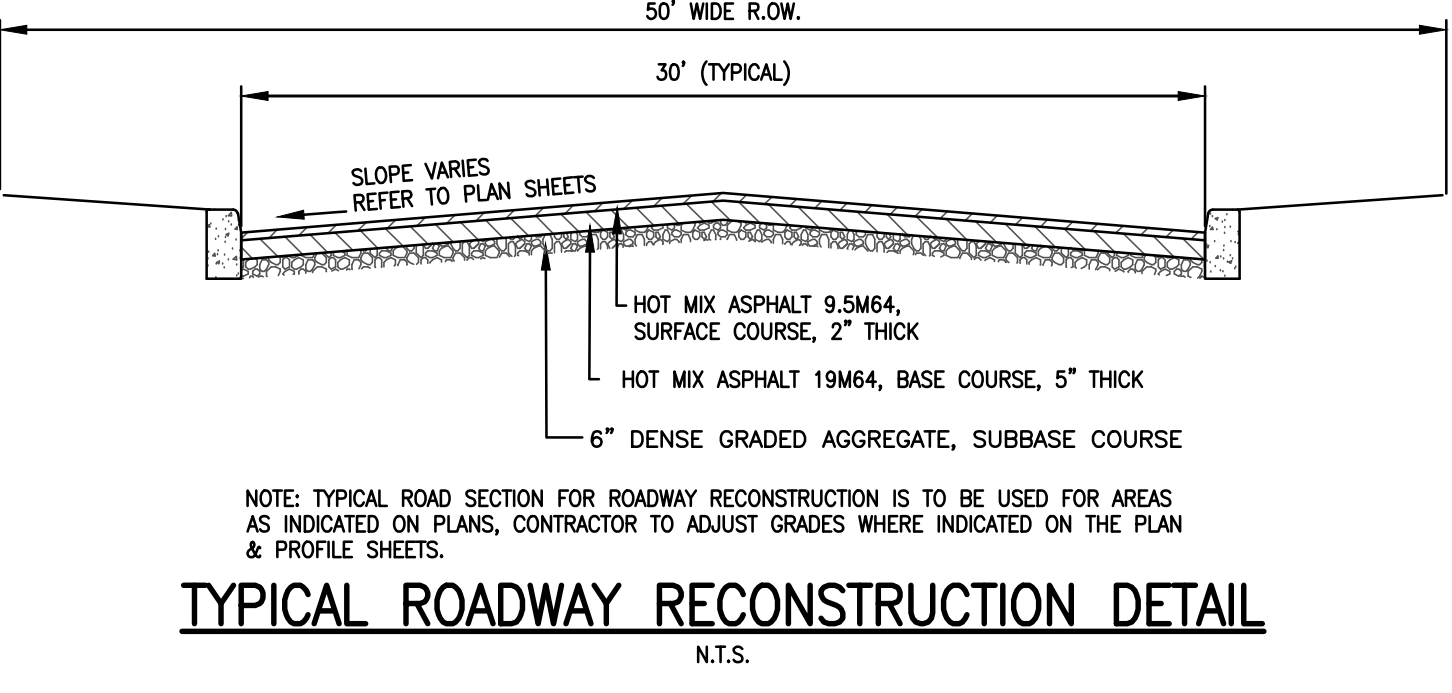
**COPOLYMER POLYPROPYLENE PLASTIC LADDER RUNG**  
NOT TO SCALE



**CLEAN-OUT CASTING DETAIL**  
N.T.S.



**TYPICAL ROADWAY OVERLAY DETAIL**  
N.T.S.



**TYPICAL ROADWAY RECONSTRUCTION DETAIL**  
N.T.S.

REVISIONS	
DATE	DESCRIPTION
09-28-2020	REVISIONS PER TOWNSHIP REVIEW COMMENTS
10-13-2020	REVISIONS PER TOWNSHIP REVIEW COMMENTS
11-16-2020	REVISIONS PER FSCD REVIEW COMMENTS
01-18-2022	REVISIONS PER GEOTECHNICAL REPORT
02-10-2022	REVISIONS PER TOWNSHIP REVIEW COMMENTS

THE OWNER AND CONTRACTOR SHALL HOLD HARMLESS THE ENGINEER FROM AND AGAINST ALL CLAIMS, DAMAGES, LOSSES AND EXPENSES INCLUDING ATTORNEY'S FEES ARISING OUT OF OR RESULTING FROM THE PERFORMANCE OF THE WORK BY THE CONTRACTOR. CHANGES TO THE PLANS BY THE OWNER AND THE CONTRACTOR SHALL BE THE RESPONSIBILITY OF THE PERSONS MAKING SUCH CHANGES. THE CONTRACTOR SHALL CHECK AND VERIFY ALL PLAN DIMENSIONS AND CONDITIONS BEFORE PROCEEDING WITH CONSTRUCTION.

**SOIL EROSION AND SEDIMENT CONTROL DETAILS - 2**

**ETHEL ROAD ROADWAY IMPROVEMENT'S  
STELTON ROAD TO THE MUNICIPAL BORDER**

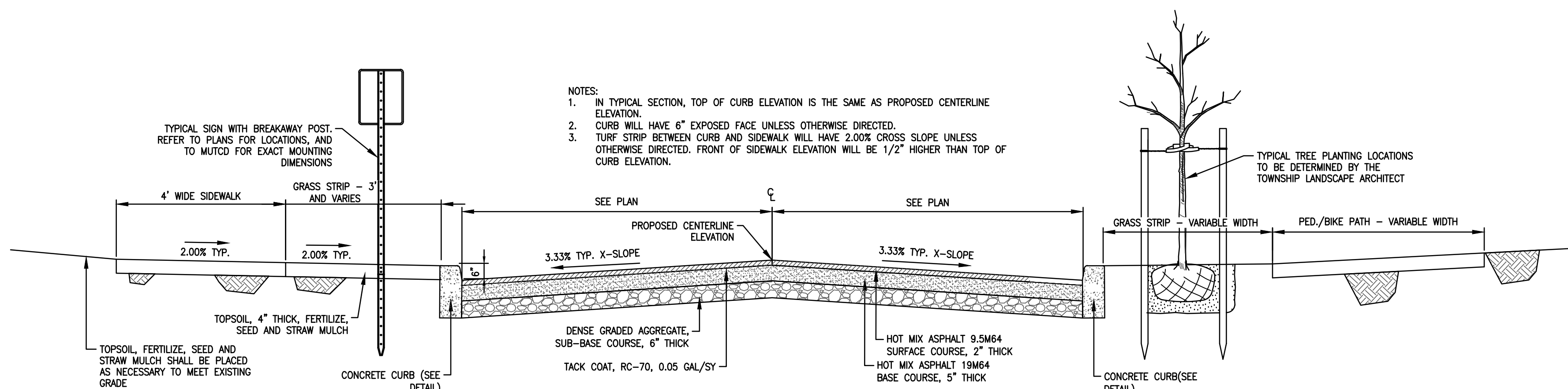
SITUATED IN  
**TOWNSHIP OF PISCATAWAY  
MIDDLESEX COUNTY, NEW JERSEY**

**Grotto Engineering Associates, LLC**  
ENGINEERS • PLANNERS • SURVEYORS  
Certificate of Authorization No. 24GA27918300  
340 NORTH AVENUE  
CRANFORD, NEW JERSEY 07016  
908-272-8901 (F) 908-272-8902

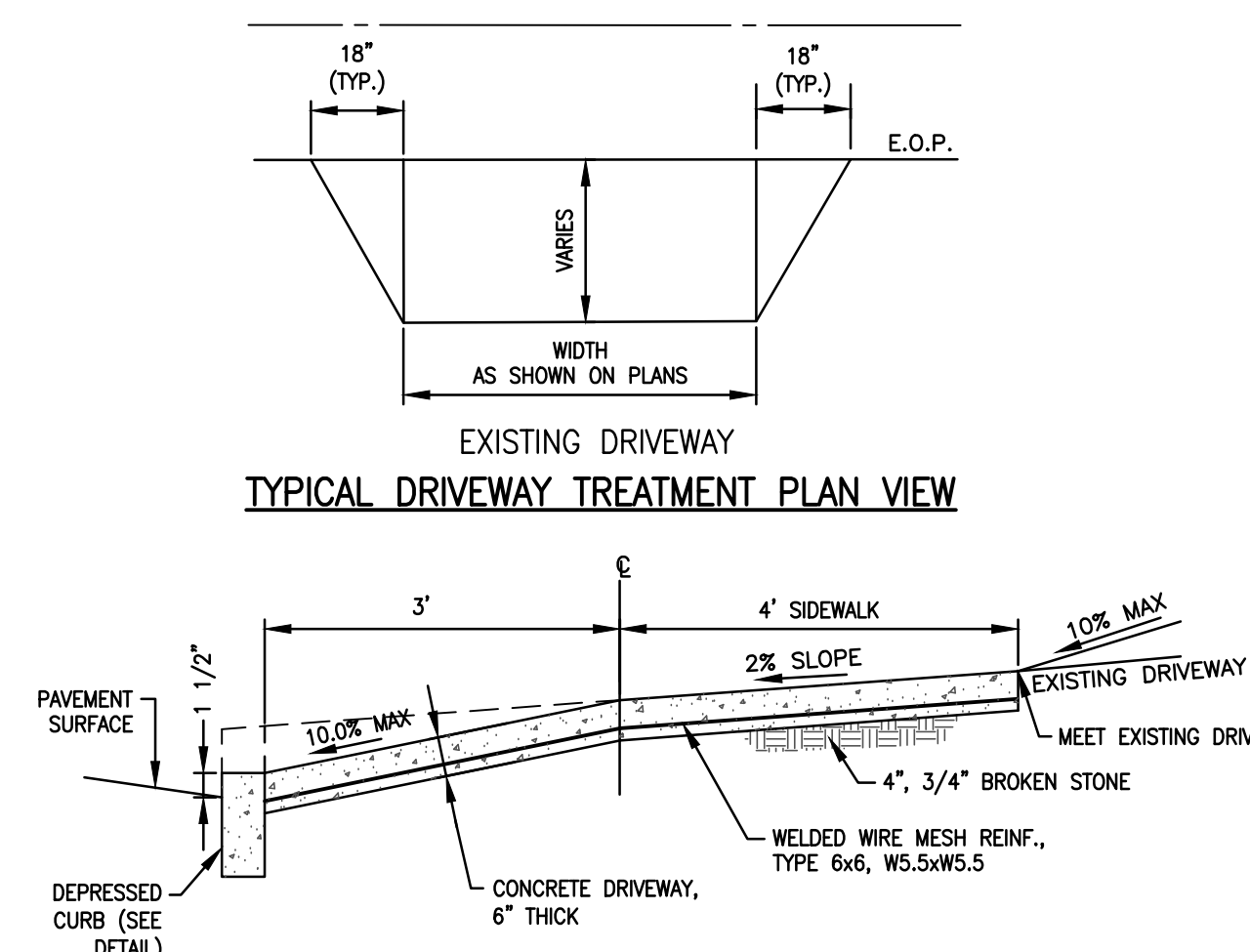
**EDWARD BOGAN** PROFESSIONAL ENGINEER  
N.J. LICENSE NO. 22260

DATE: 07-01-2020 SCALE: NOT TO SCALE DRAWN: REB CHECKED: FF SHEET: 20 OF 25 JOB: PW-0008

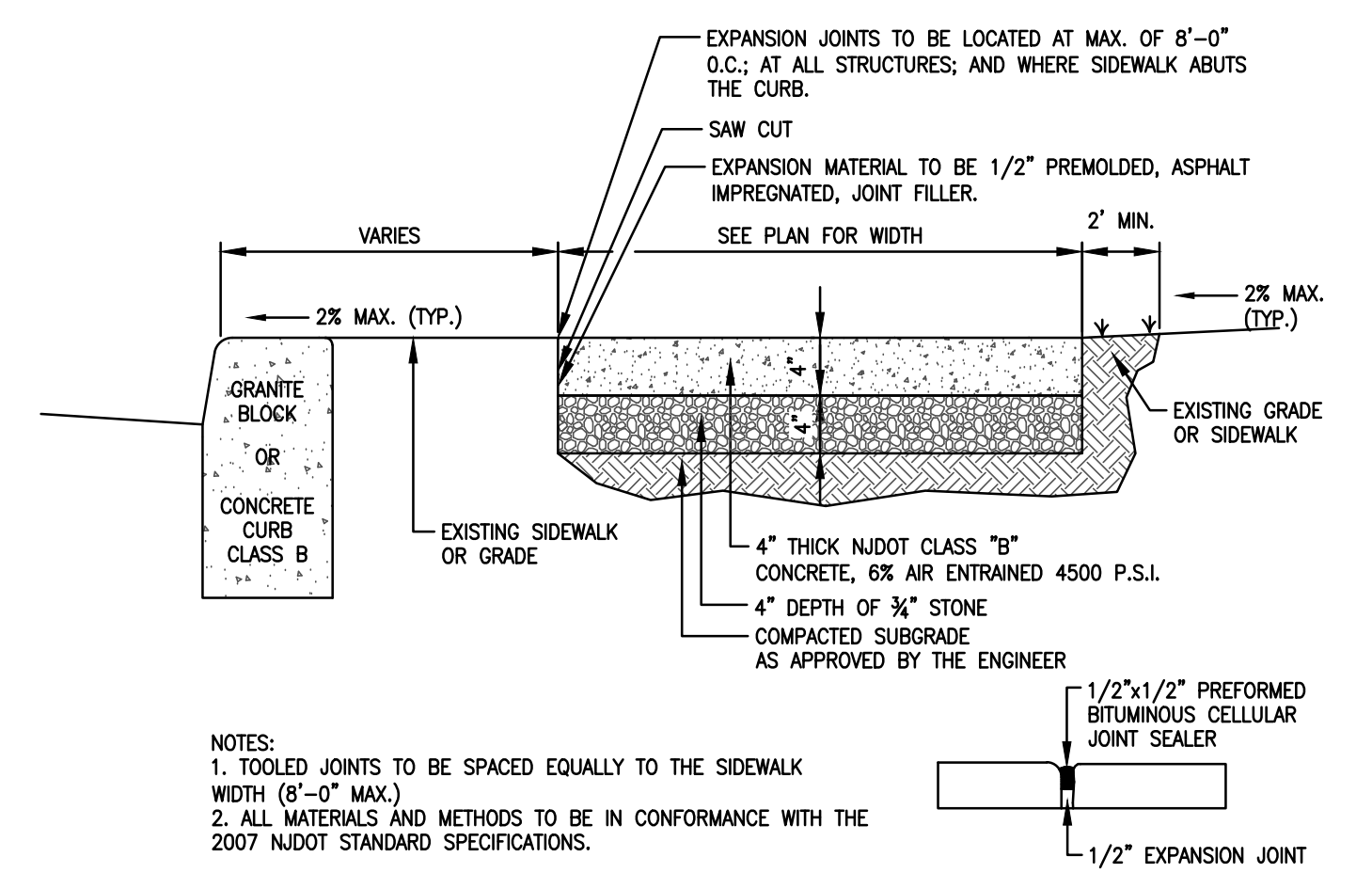
S:\Grotto Road Projects\Accessories\Sheet\Ethel Road Roadway Improvement Plan D - 12.27.20.dwg 2/10/2022



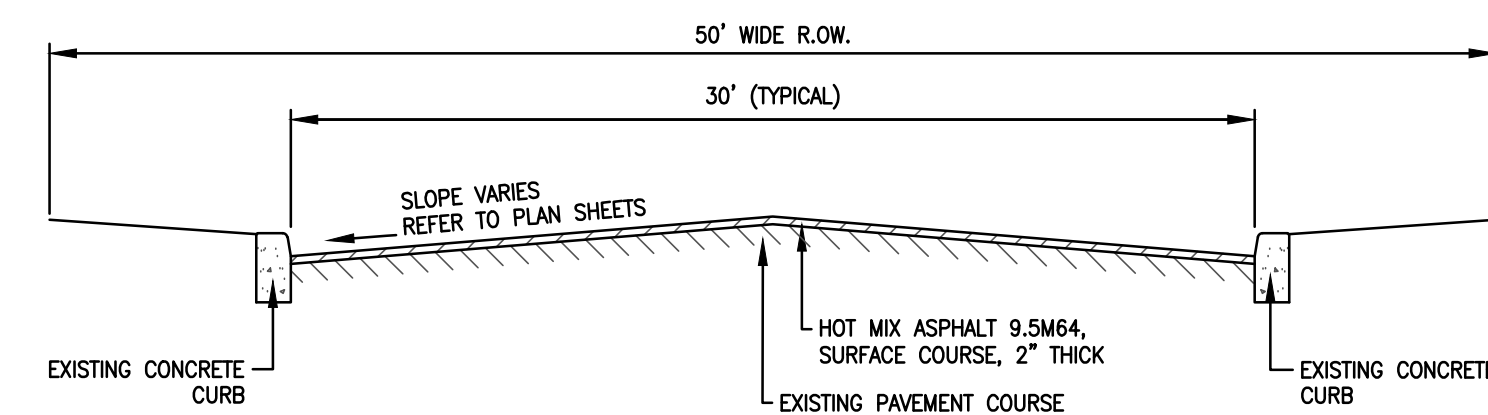
**ROADWAY SECTION DETAIL**  
NOT TO SCALE



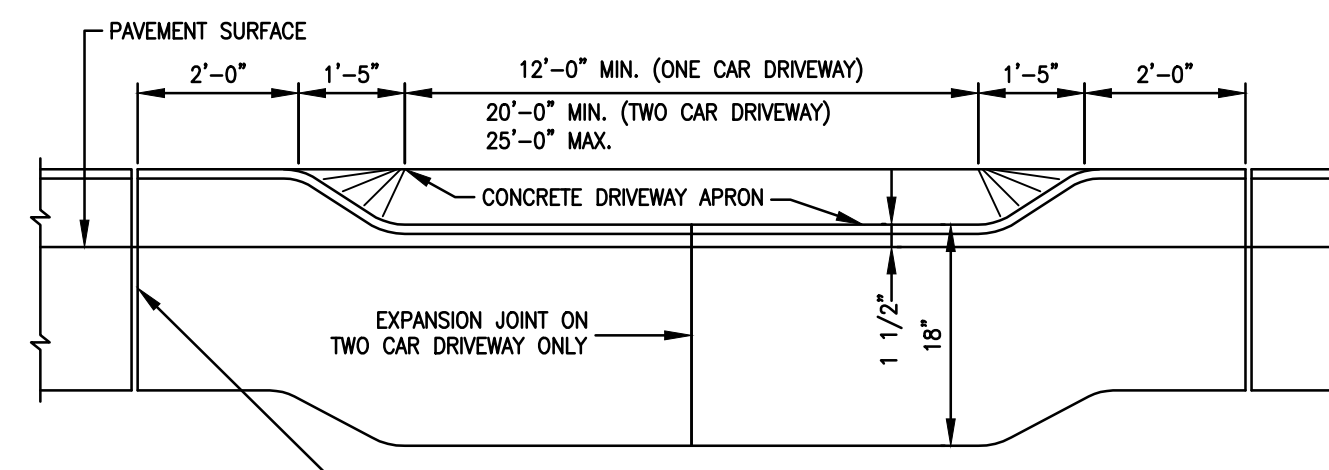
**CONCRETE DRIVEWAY TYPICAL SECTION**  
**CONCRETE DRIVEWAY APRON**  
N.T.S.



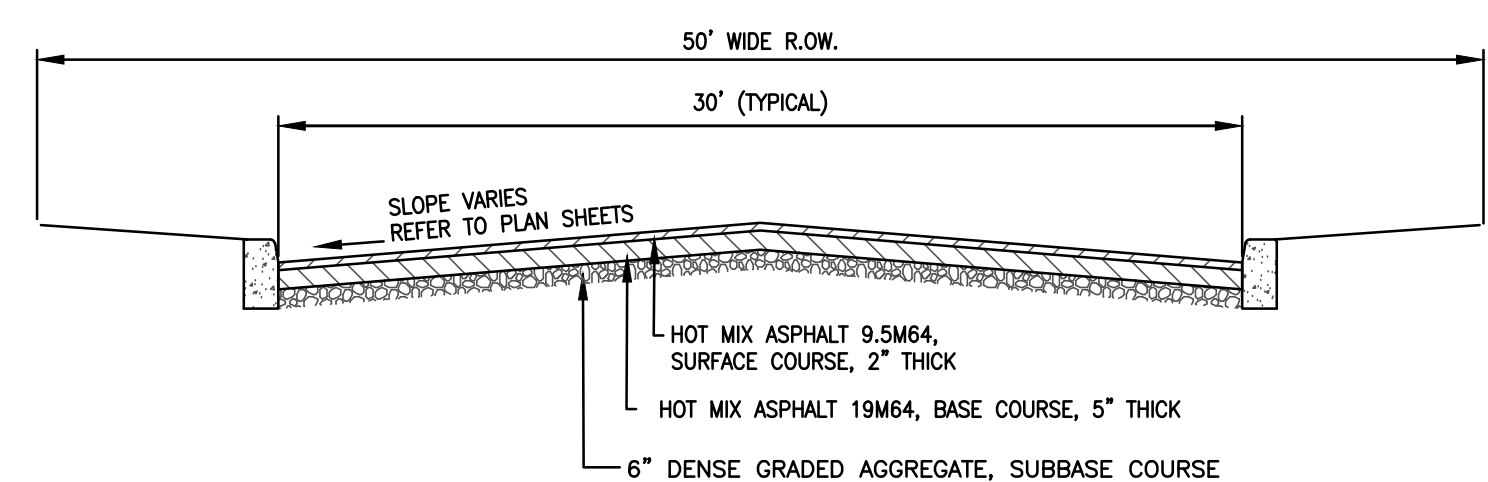
**CONCRETE SIDEWALK 4" THICK**  
N.T.S.



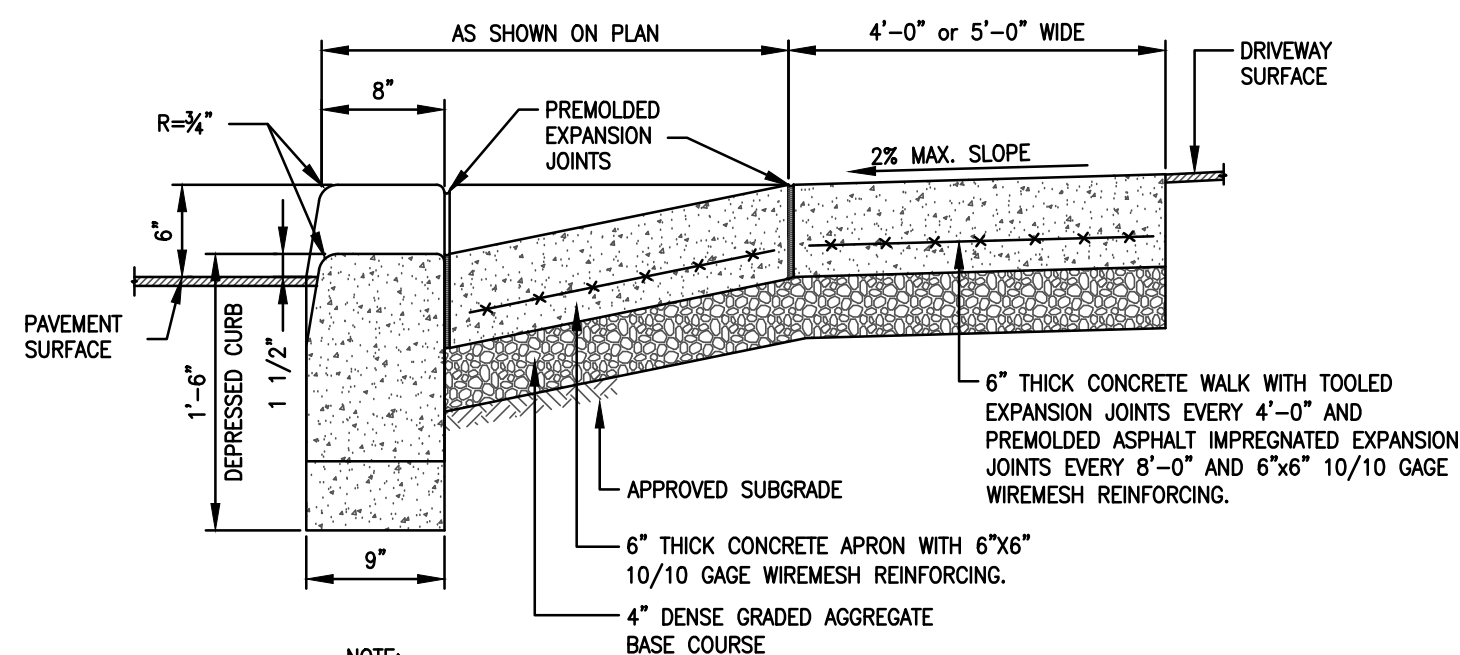
**TYPICAL ROADWAY OVERLAY DETAIL**  
N.T.S.



**ELEVATION**

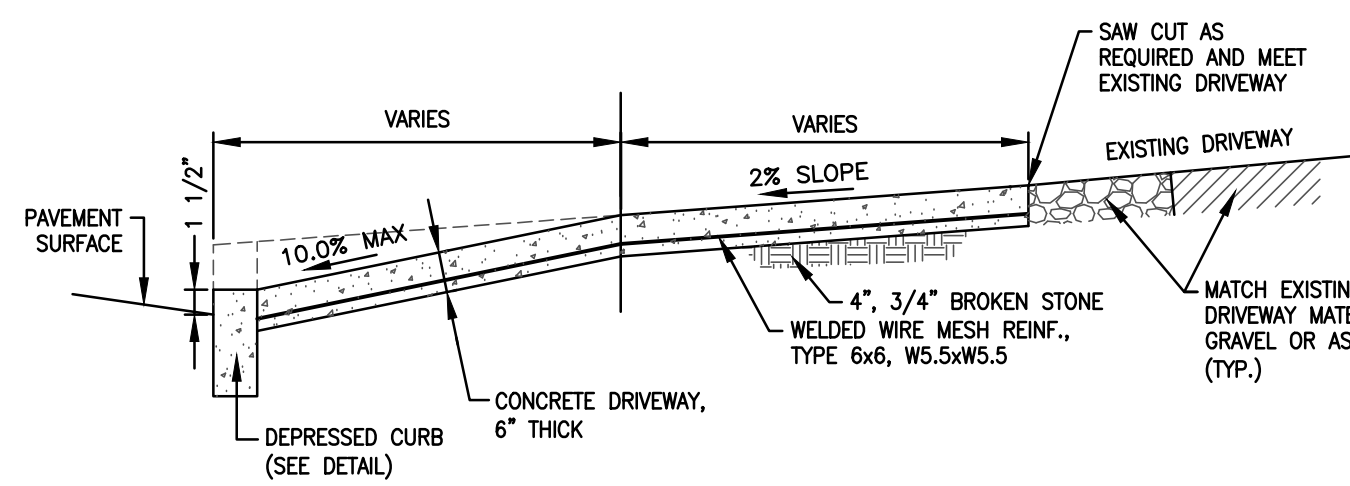


**TYPICAL ROADWAY RECONSTRUCTION DETAIL**  
N.T.S.

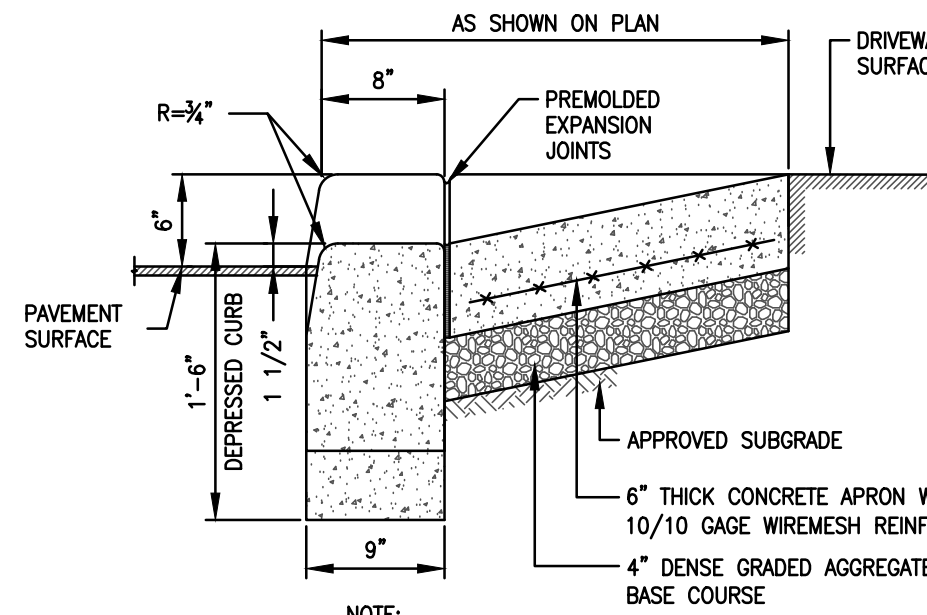


**SECTION WITH SIDEWALK**

**NOTES:**  
 OPEN JOINTS SHALL BE PROVIDED AT INTERVALS OF 10 FEET AND SHALL BE FILLED WITH 1/2" BITUMINOUS 1/2" INCH FROM THE FRONT FACE AND TOP OF THE CURB.  
 EXPANSION JOINTS SHALL BE INSTALLED WHERE THE CURB IS ADJACENT TO SIDEWALKS AND CATCH BASINS.  
 CONCRETE SHALL BE AIR ENTRAINED 4,500 P.S.I. AT 28 DAY TEST. CONCRETE SHALL BE CURED WITH A COLORLESS CURING COMPOUND AS SPECIFIED IN THE 2007 NJDOT STANDARD SPECIFICATIONS, SECTION 903

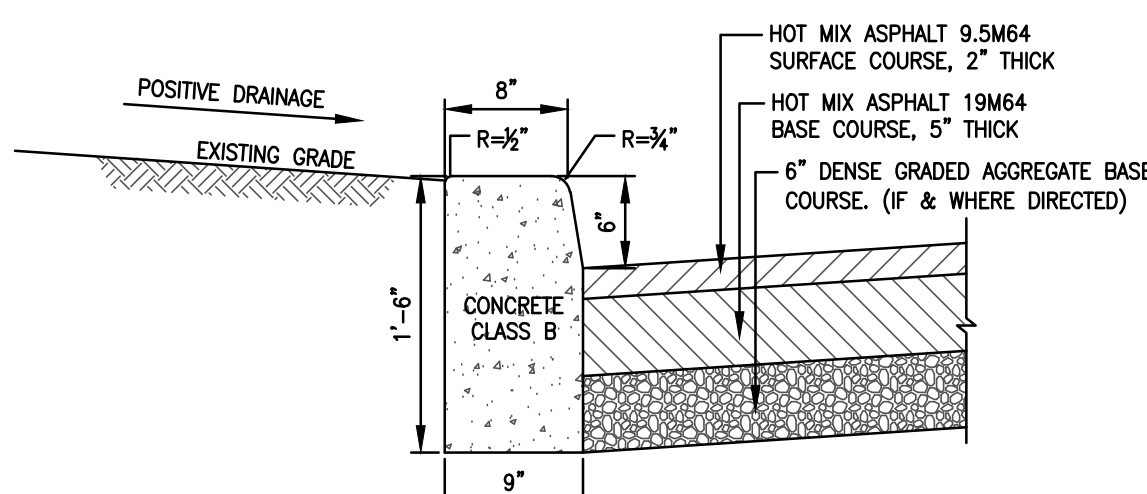


**STONE OR ASPHALT DRIVEWAY RESTORATION**  
N.T.S.



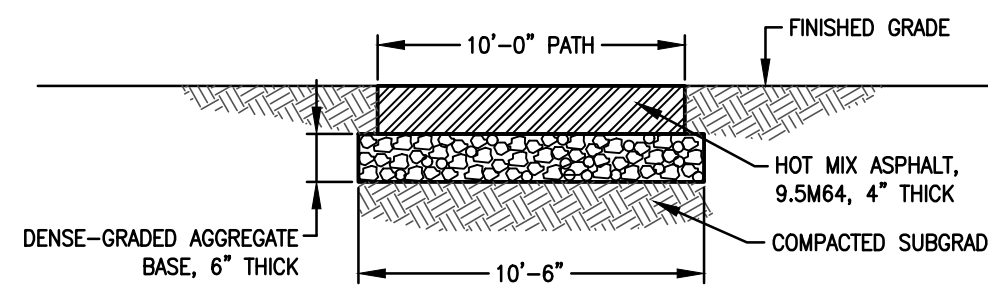
**SECTION WITHOUT SIDEWALK**

**DEPRESSED CURB, DRIVEWAY ENTRANCE APRON & SIDEWALK DETAIL**  
N.T.S.

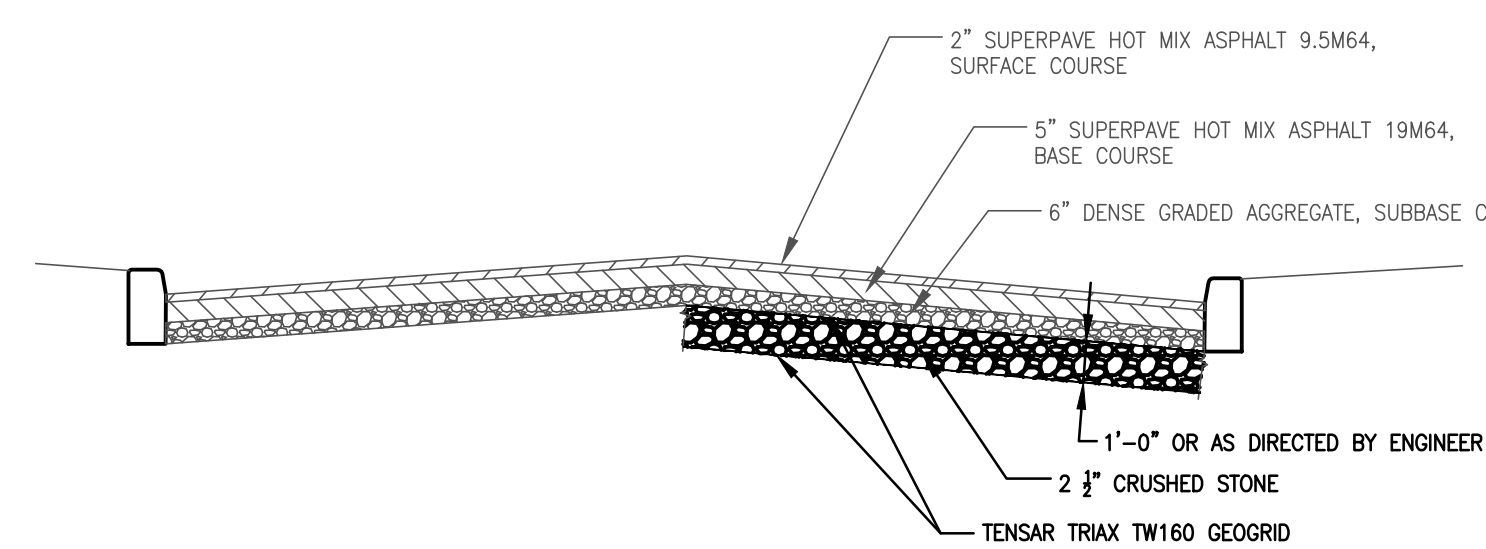


1. TRANSVERSE JOINTS 1/2" WIDE SHALL BE INSTALLED IN THE CURB 10'-0" APART AND SHALL BE FILLED WITH PREFORMED BITUMINOUS-IMPREGNATED FIBER JOINT FILLER COMPLYING WITH THE REQUIREMENTS OF A.A.S.H.T.O. SPEC. M-213, RECESSED 1/4" IN FROM FRONT FACE AND TOP OF CURB. EXPANSION JOINTS THROUGH AND ADJACENT TO THE CURB SHALL BE INCLUDED IN THE UNIT PRICE BID FOR CURB. DISTURBANCE AND SUBSEQUENT RESTORATION OF THE AREA BEHIND THE CURB SHALL BE LIMITED TO A MAXIMUM OF 2 FEET. PAYMENT FOR ANY PAVEMENT RESTORATION ASSOCIATED WITH CURB CONSTRUCTION SHALL BE INCLUDED IN THE BID ITEM 8"x9"x18" CONCRETE VERTICAL CURB.
2. EXPANSION JOINTS SHALL ALSO BE INSTALLED WHERE THE CURB IS ADJACENT TO SIDEWALKS AND CATCH BASINS.
3. CURB AT DRIVEWAYS AND ENTRANCES SHALL BE DEPRESSED SO THAT THE TOP OF THE CONCRETE IS 1-1/2" ABOVE THE ADJACENT PAVEMENT.
4. CONCRETE SHALL BE AIR ENTRAINED 4500 P.S.I. AT 28 DAY TEST CONCRETE SHALL BE CURED WITH A COLORLESS CURING COMPOUND, AND FOLLOW ALL GUIDELINES AS SPECIFIED IN THE 2007 NJDOT.

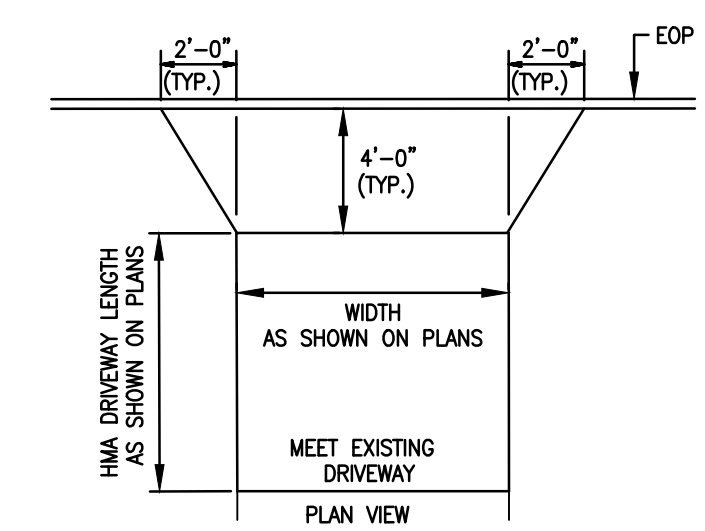
**8"x9"x18" CONCRETE VERTICAL CURB**  
N.T.S.



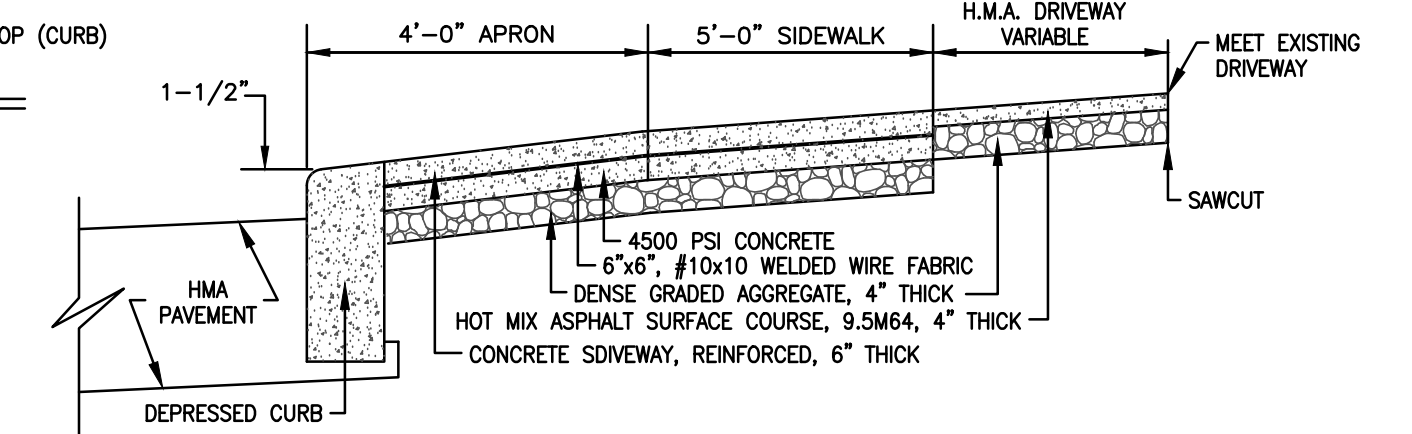
**HOT MIX ASPHALT PEDESTRIAN/BIKE PATH DETAIL**  
N.T.S.



**TYPICAL ROADWAY WITH GEOGRID**  
NOT TO SCALE



**TYPICAL DRIVEWAY TREATMENT**



**HOT MIX ASPHALT TYPICAL DRIVEWAY SECTION ADJACENT TO REINFORCED CONCRETE SIDEWALK AND APRON**  
N.T.S.

**CONSTRUCTION DETAILS - 1**

**ETHEL ROAD ROADWAY IMPROVEMENTS  
STELTON ROAD TO THE MUNICIPAL BORDER**

SITUATED IN  
 TOWNSHIP OF PISCATAWAY  
 MIDDLESEX COUNTY, NEW JERSEY

**Grotto ENGINEERING ASSOCIATES, LLC**  
 ENGINEERS • PLANNERS • SURVEYORS  
 Certificate of Authorization No. 24GA27918300  
 340 NORTH AVENUE  
 CRANFORD, NEW JERSEY 07016  
 908-272-8901 (F) 908-272-8902

**EDWARD BOGAN**

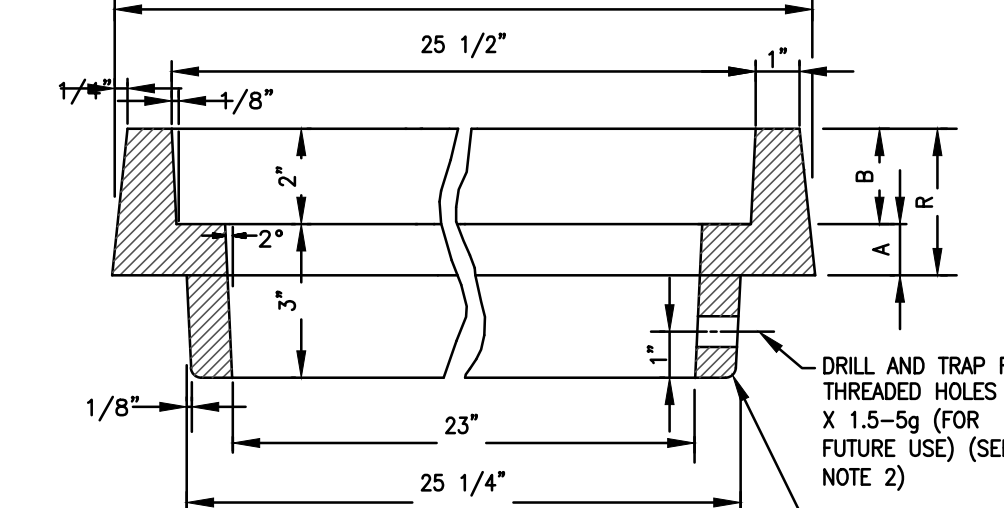
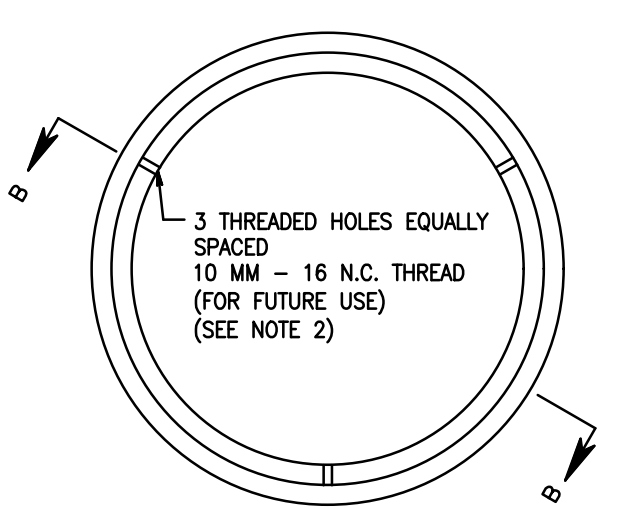
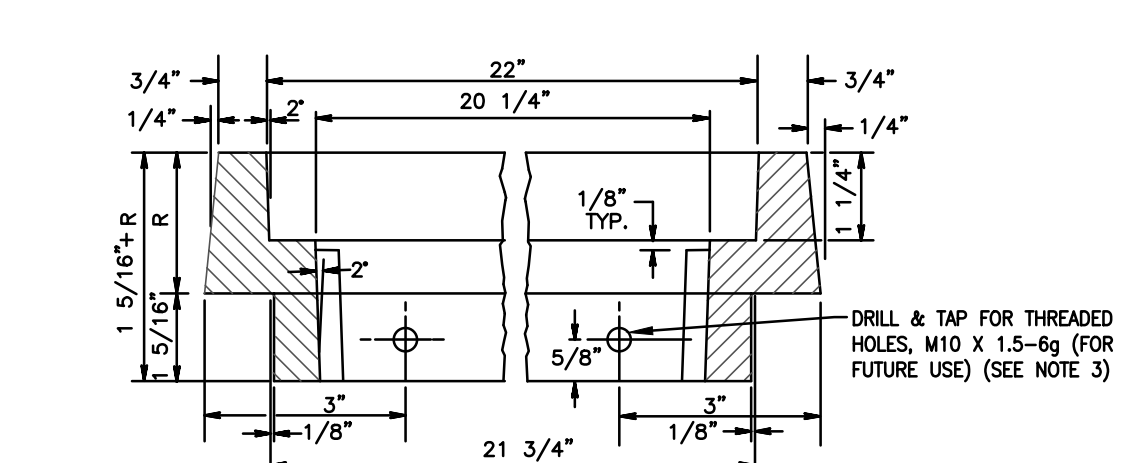
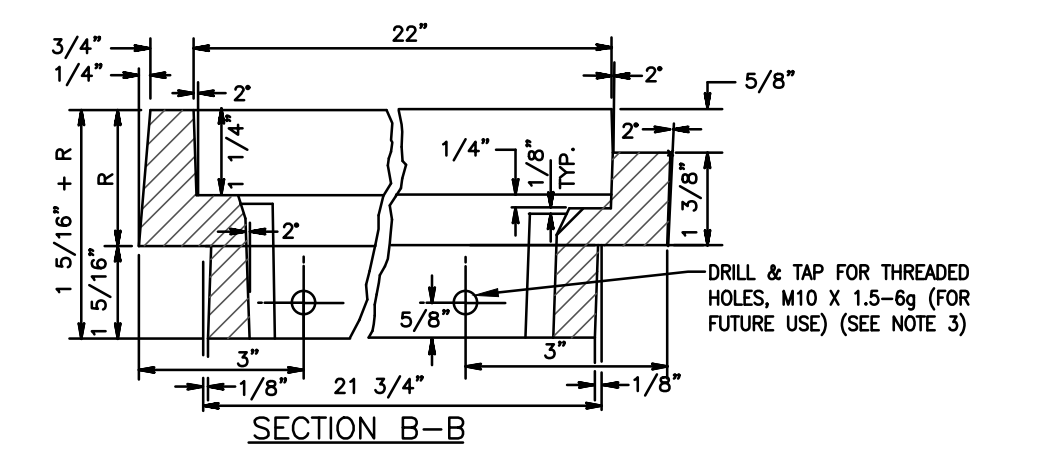
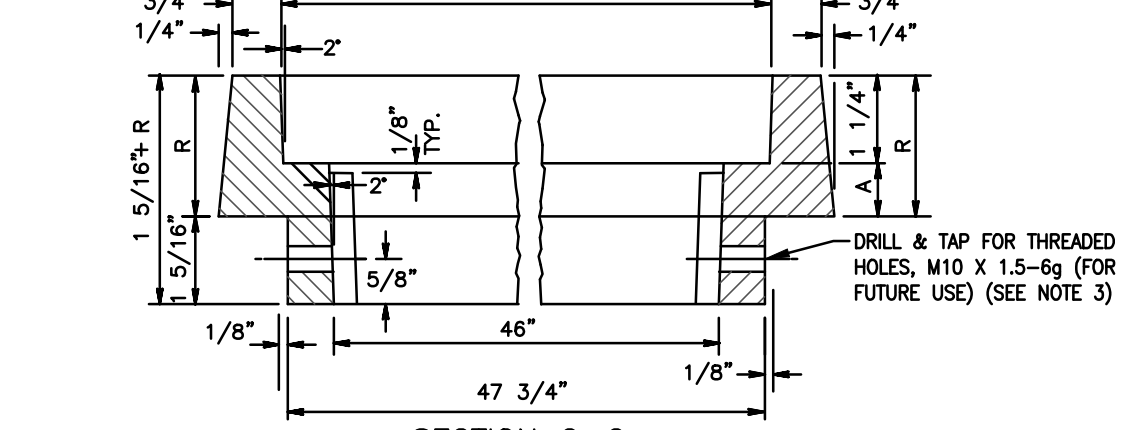
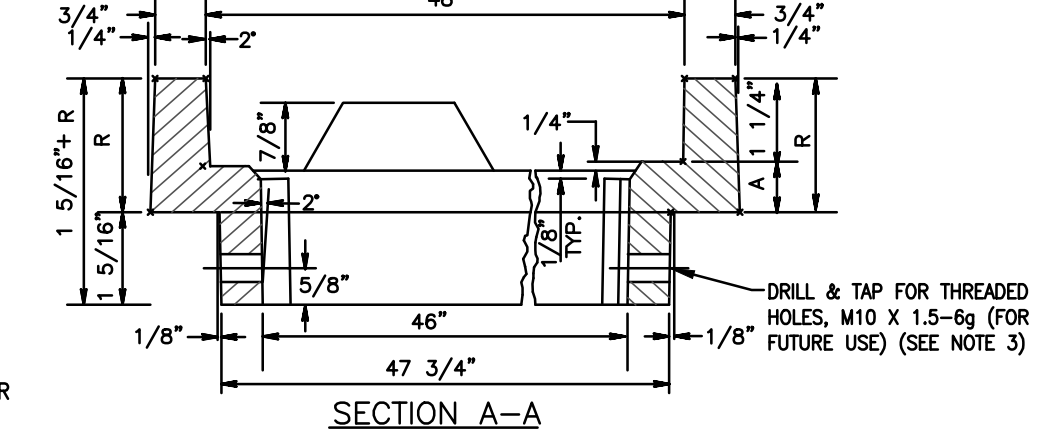
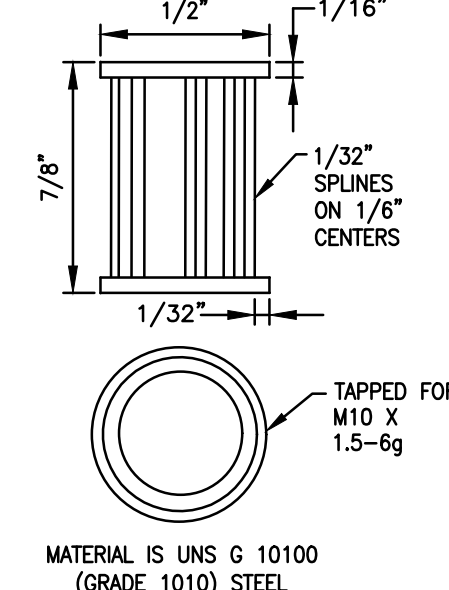
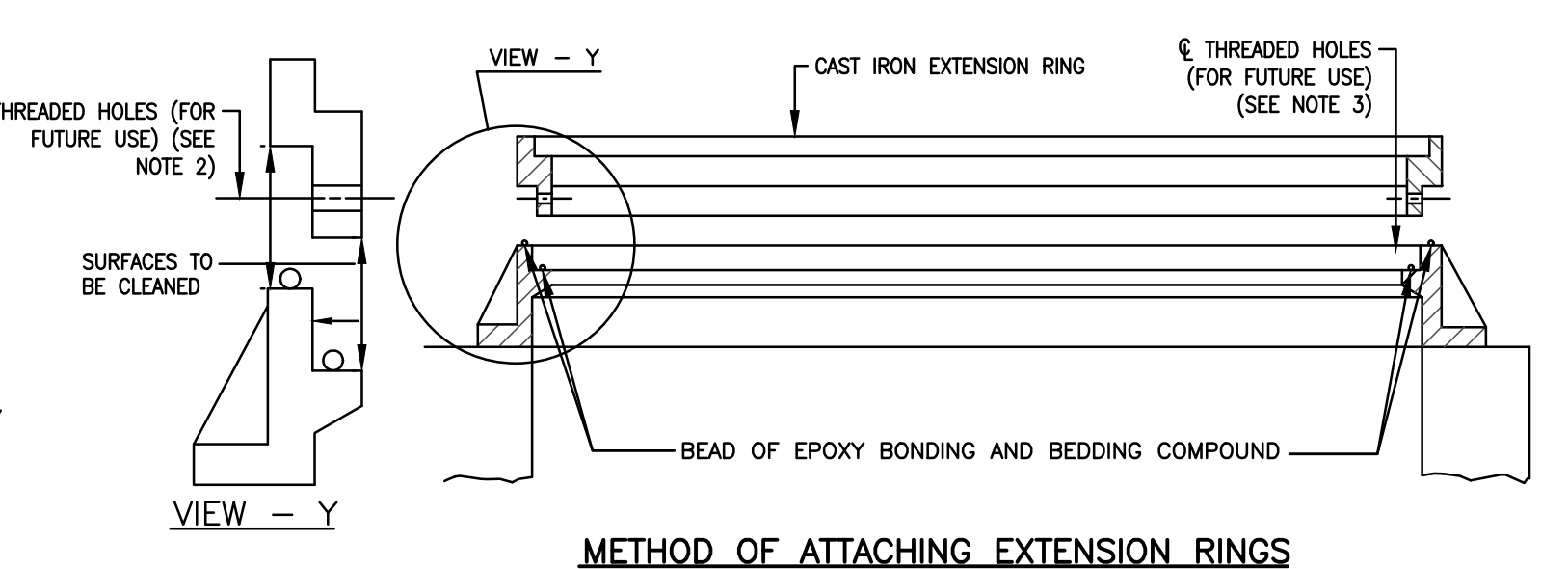
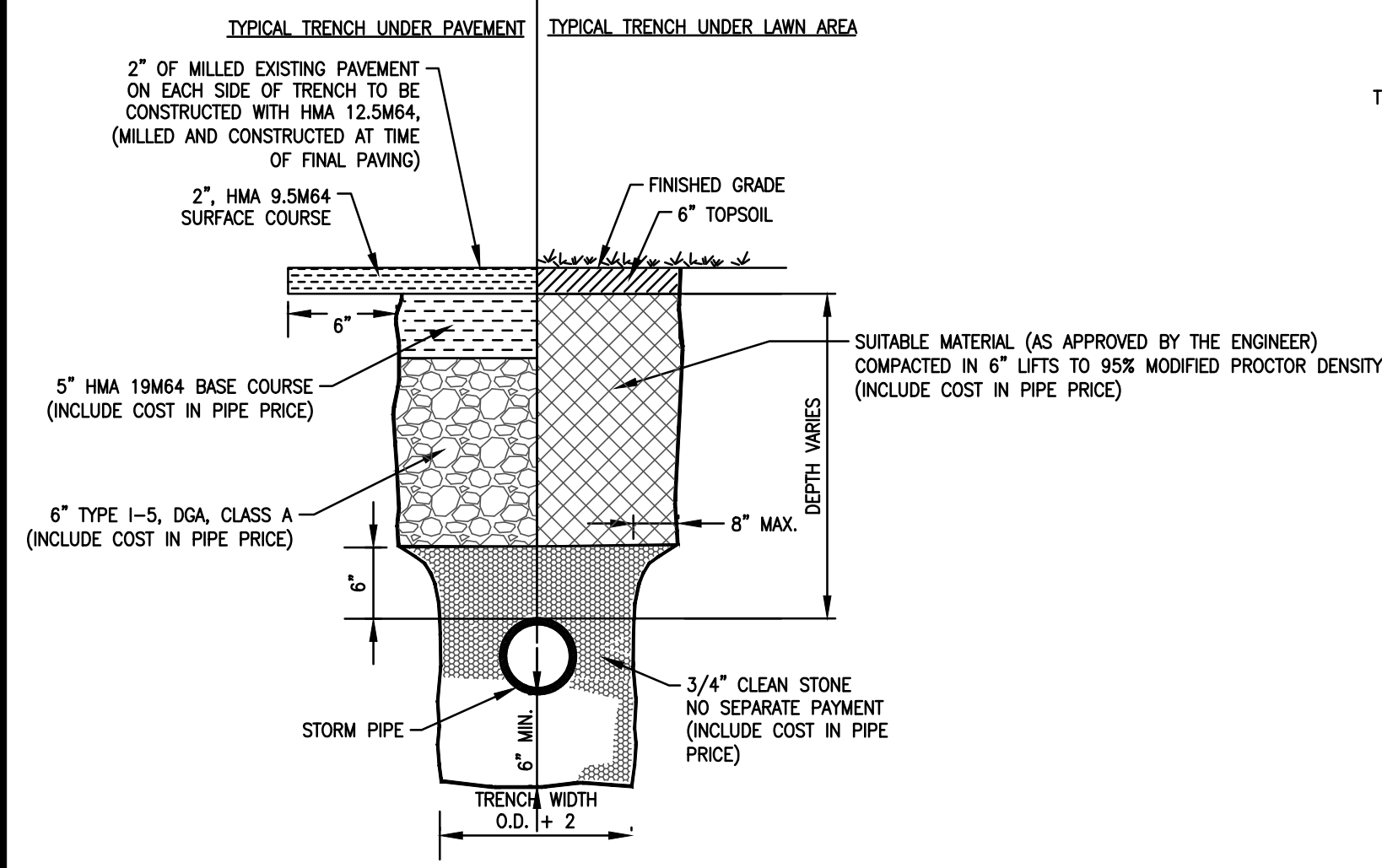
PROFESSIONAL ENGINEER  
 N.J. LICENSE NO. 22260

REVISIONS	
DATE	DESCRIPTION
09-28-2020	REVISIONS PER TOWNSHIP REVIEW COMMENTS
10-13-2020	REVISIONS PER TOWNSHIP REVIEW COMMENTS
11-16-2020	REVISIONS PER FSCD REVIEW COMMENTS
01-18-2022	REVISIONS PER GEOTECHNICAL REPORT
02-10-2022	REVISIONS PER TOWNSHIP REVIEW COMMENTS

THE OWNER AND CONTRACTOR SHALL HOLD HARMLESS THE ENGINEER FROM AND AGAINST ALL CLAIMS, DAMAGES, LOSSES AND EXPENSES INCLUDING ATTORNEY'S FEES ARISING OUT OF OR RESULTING FROM THE PERFORMANCE OF THE WORK BY THE CONTRACTOR. CHANGES TO THE PLANS BY THE OWNER AND THE CONTRACTOR SHALL BE THE RESPONSIBILITY OF THE PERSONS MAKING SUCH CHANGES. THE CONTRACTOR SHALL CHECK AND VERIFY ALL PLAN DIMENSIONS AND CONDITIONS BEFORE PROCEEDING WITH CONSTRUCTION.

S:\Grotto Road Roadway Improvements\Sheet\Ethel Road Roadway Improvement - Plan 0 - 12.22.dwg 7/10/2022





RISE R	A
2 1/2"	1 1/2"
3"	1"
3 1/2"	1 1/2"

EXTENSION RING FOR STANDARD COVER

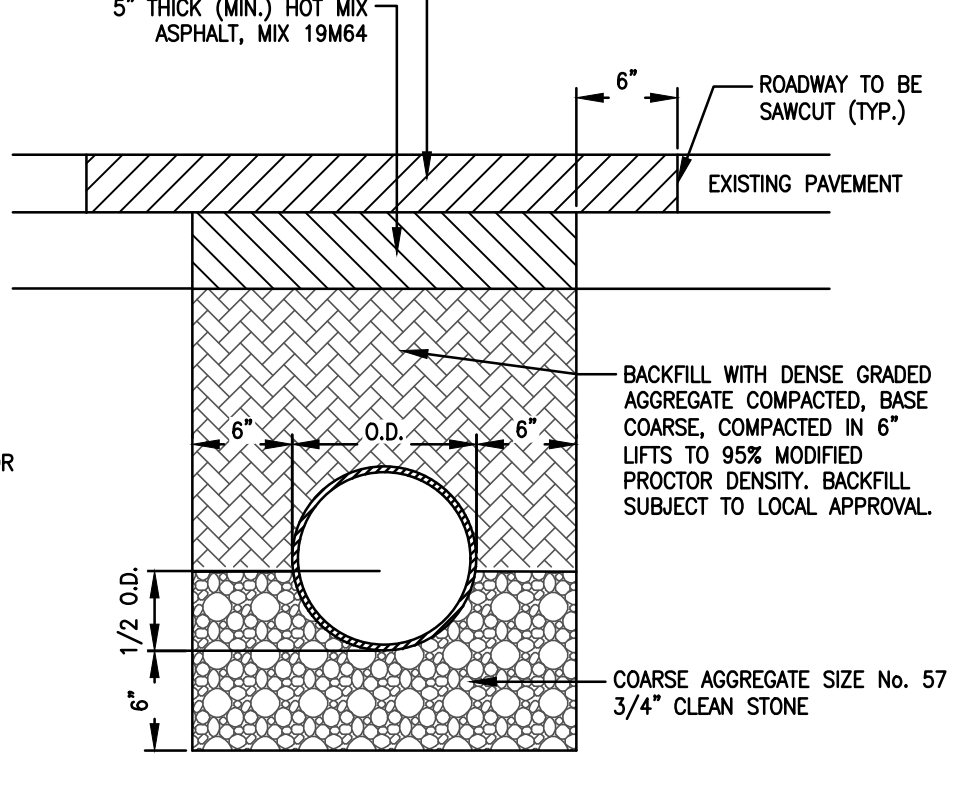
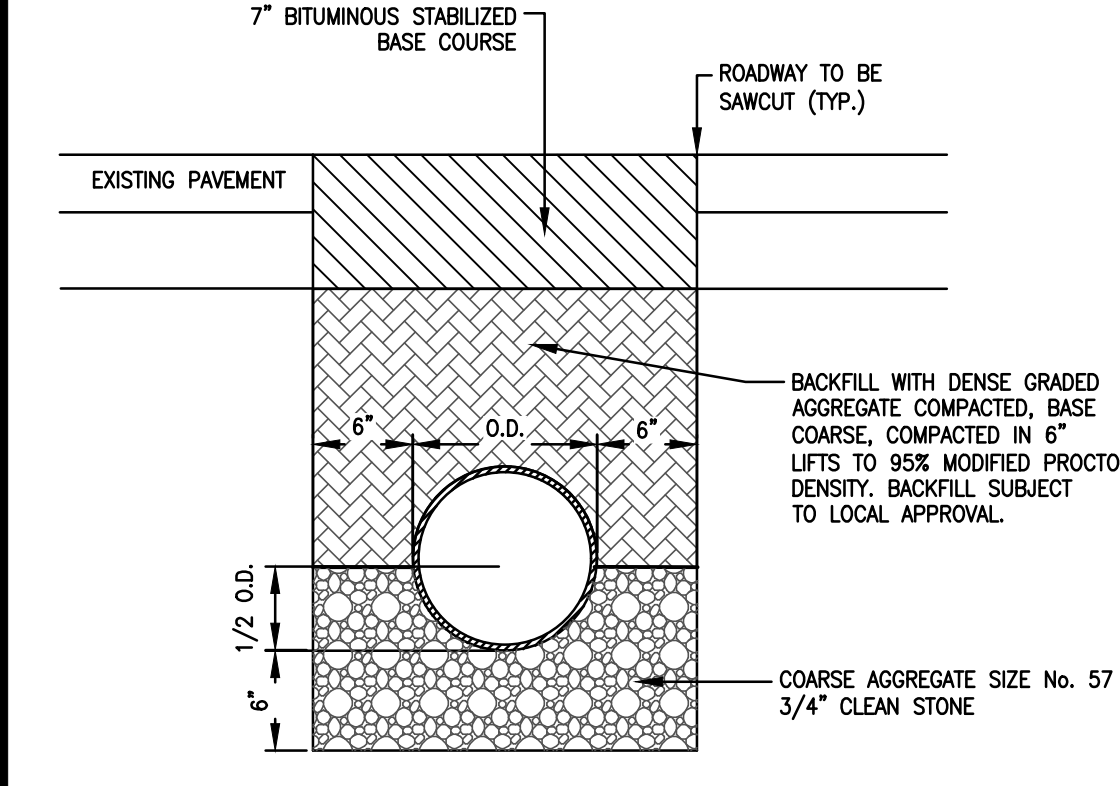
- GENERAL NOTES:**
- TRENCH CONSTRUCTION OUT OF PAVEMENT AREA SHALL REQUIRE 4" OF TOPSOIL AND SEEDING AND SHALL BE BACKFILLED WITH SUITABLE EXCAVATED MATERIAL.
  - NO SEPARATE PAYMENT SHALL BE MADE FOR SAW CUTTING EXISTING PAVEMENT, BEDDING MATERIAL, AND TACK COAT. THE COSTS SHALL BE INCLUDED IN THE PRICES FOR THE VARIOUS PIPE SIZES.

**TYPICAL STORM TRENCH DETAIL**  
NOT TO SCALE

- NOTES:**
- THE CONTRACTOR SHALL MEASURE THE EXISTING MANHOLE FRAMES AND COVERS TO DETERMINE PROPER DIMENSIONS OF PROPOSED EXTENSION RINGS BEFORE PLACING ORDER.
  - A THREADED INSERT MAY BE USED AS AN ALTERNATE TO DRILLING AND TAPPING.
  - A RISE OF 1 1/2" TO 2 1/4" INCLUSIVE A HEAVY DUTY COVER SHALL BE USED.

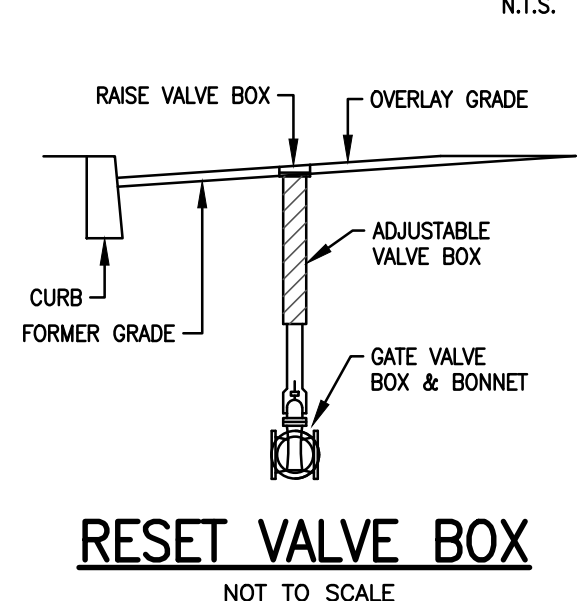
DETAILS TAKEN FROM: STATE OF NEW JERSEY DEPARTMENT OF TRANSPORTATION, STANDARD ROADWAY CONSTRUCTION/ TRAFFIC CONTROL/ BRIDGE CONSTRUCTION DETAILS, OCTOBER 1996

**CAST IRON EXTENSION RINGS FOR EXISTING MANHOLES**

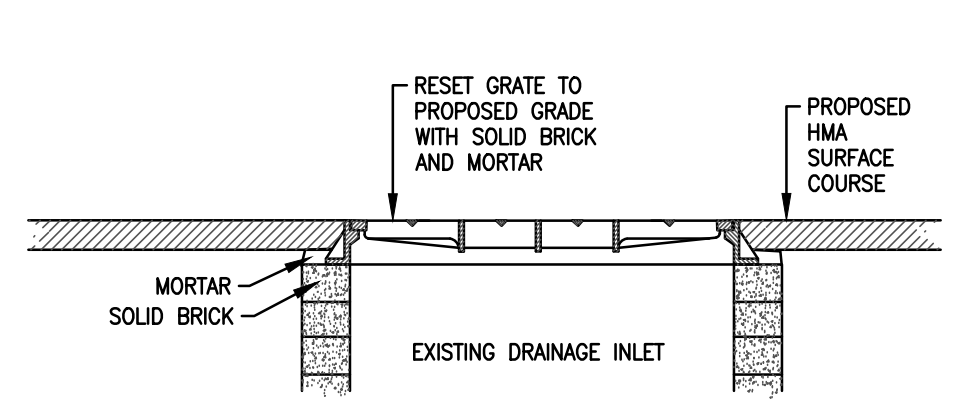


- NOTES:**
- INITIAL TRENCH REPAIR WILL CONSIST OF 6" DENSE GRADED AGGREGATE AND 7" BITUMINOUS STABILIZED BASE COURSE TO MEET EXISTING GRADE. AS DIRECTED BY THE ENGINEER, THE CONTRACTOR SHALL MILL 2" OF THE STABILIZED BASE COURSE AND PLACE 2" OF BITUMINOUS SURFACE COURSE. THIS TYPE OF TRENCH REPAIR SHALL BE PROVIDED. THE COST OF DENSE GRADED AGGREGATE, PIPE BEDDING, AND PAVEMENT REPAIR CONSISTING OF BITUMINOUS SURFACE COURSE, BITUMINOUS STABILIZED BASE COURSE, AND DENSE GRADED AGGREGATE AS INDICATED ON THE DETAILS SHALL BE INCLUDED IN THE COST OF THE ASSOCIATED PIPE BID ITEMS.

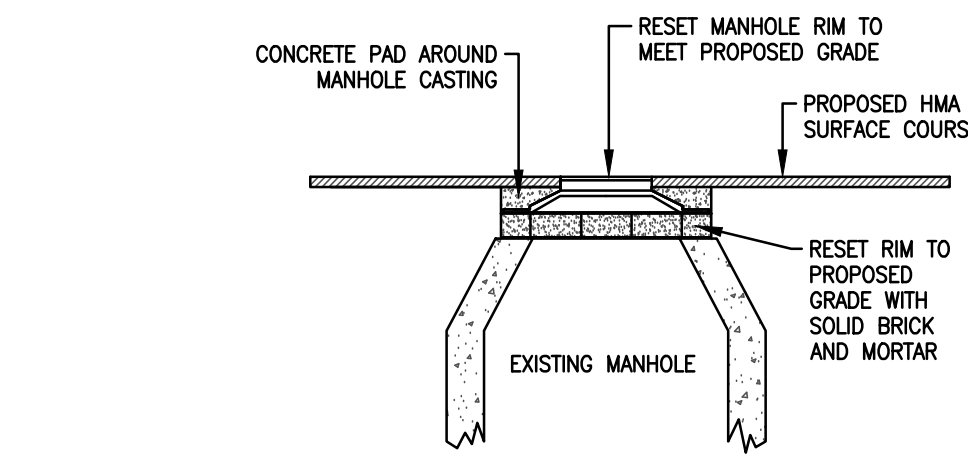
**TRENCH DETAIL FOR PIPE WITHIN ROADWAY**  
N.T.S.



**RESET VALVE BOX**  
NOT TO SCALE

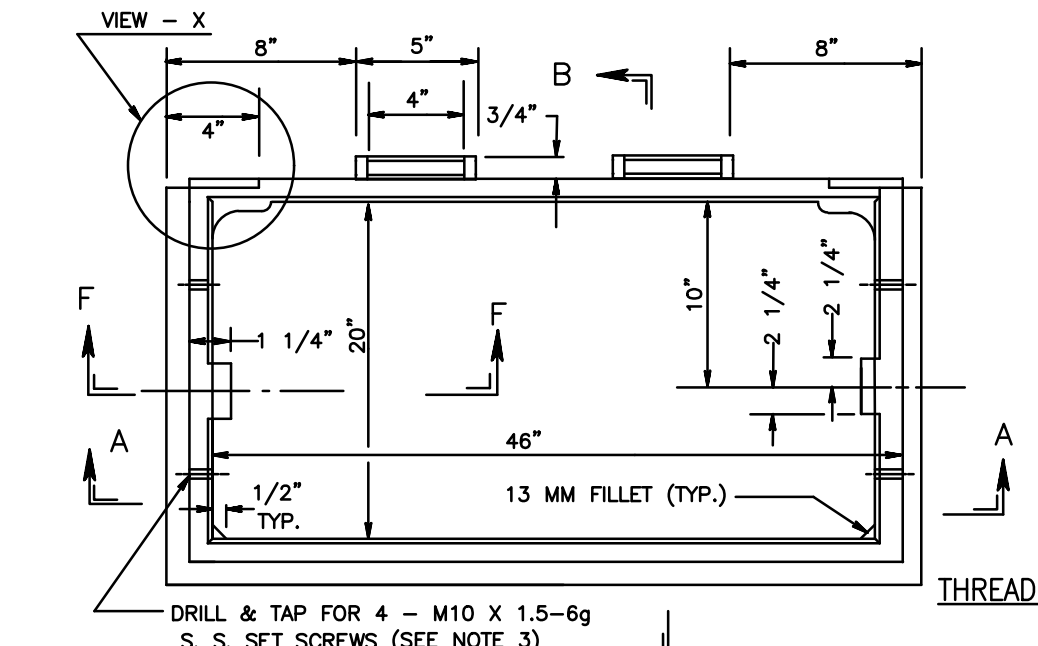


**RESET DRAINAGE INLET**  
NOT TO SCALE

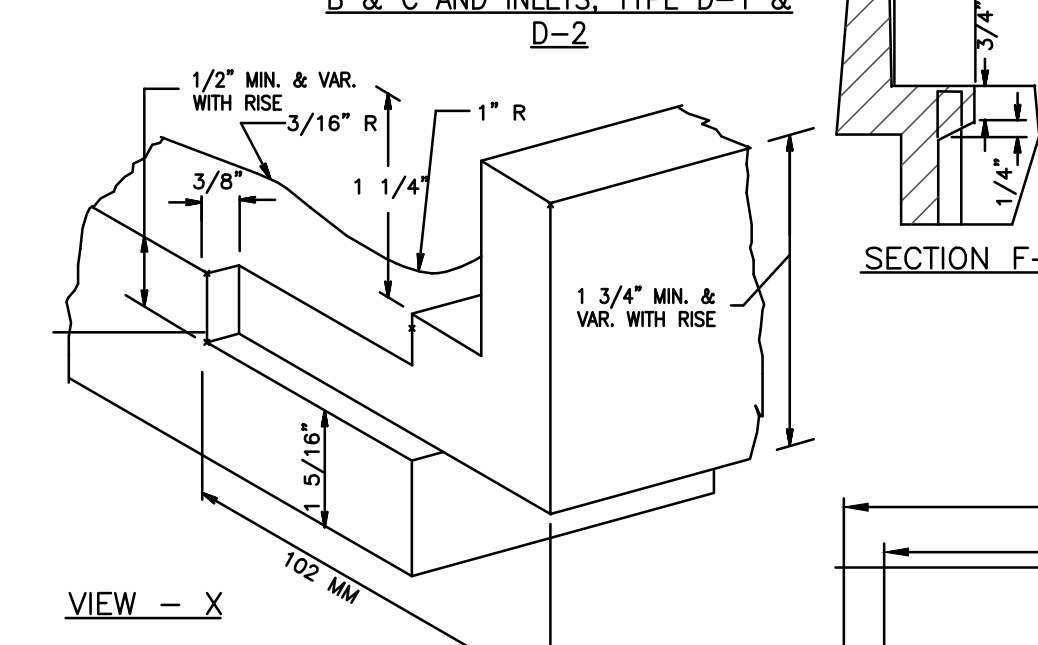


**RESET MANHOLE RIM**  
NOT TO SCALE

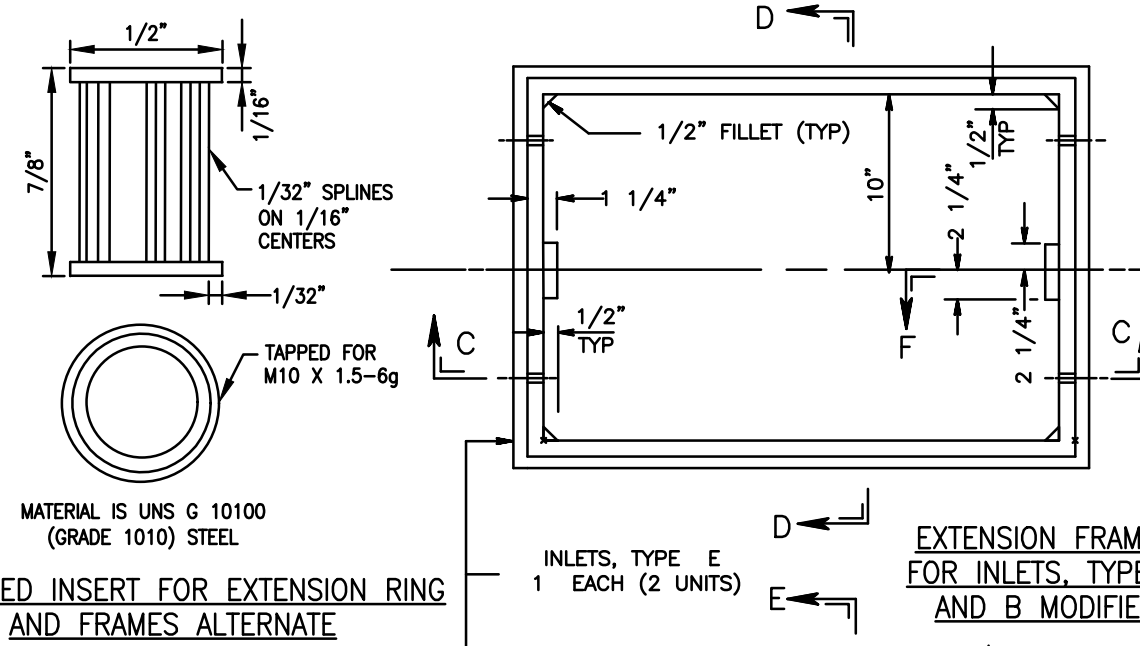
NOTE: MANHOLE EXTENSION RINGS WILL NOT BE PERMITTED.



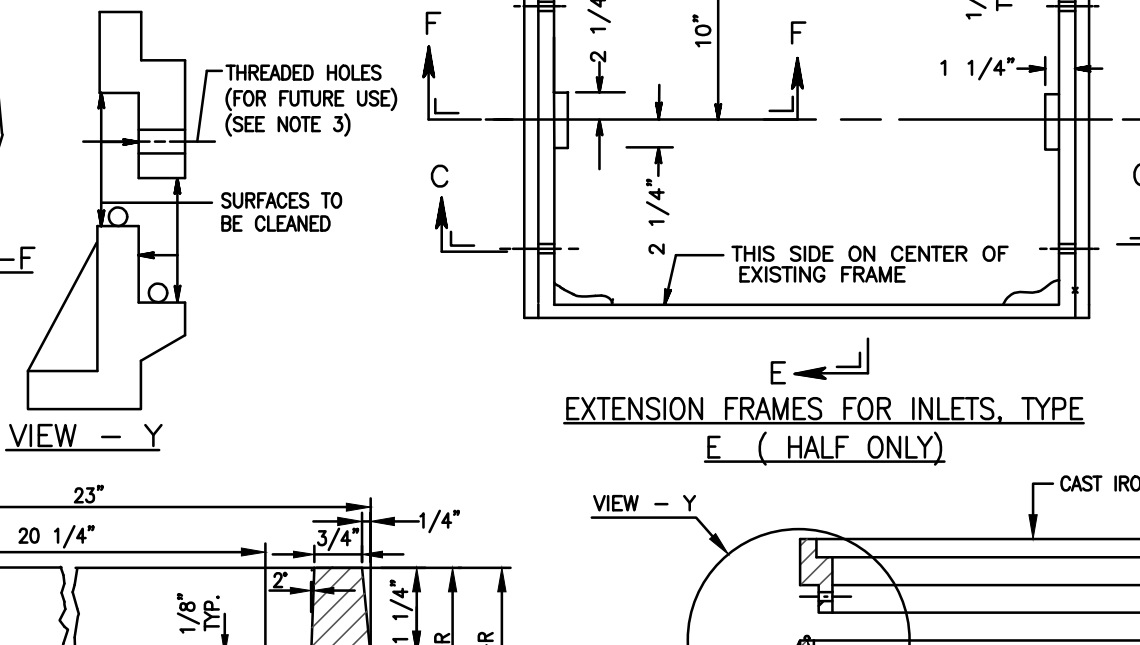
**EXTENSION FRAMES FOR INLETS, TYPE B & C AND INLETS, TYPE D-1 & D-2**



**SECTION F-F**



**EXTENSION FRAMES FOR INLETS, TYPE A AND B MODIFIED**



**SECTION E-E**

**METHOD OF ATTACHING EXTENSION FRAMES**

- NOTES:**
- THE CONTRACTOR SHALL MEASURE THE EXISTING INLET FRAMES AND GRATES TO DETERMINE PROPER DIMENSIONS OF PROPOSED EXTENSION FRAMES BEFORE PLACING ORDER.
  - NOT TO BE USED WITH DSH GRATES.
  - A THREADED INSERT MAY BE USED AS AN ALTERNATE TO DRILLING AND TAPPING.
  - ALL DETAILS NOT TO SCALE.

RISE=R	A
1 3/4"	1 1/2"
2"	3/4"
2 1/2"	1 1/4"
3"	1 3/4"
3 1/2"	2 1/4"

**CAST IRON EXTENSION FRAMES FOR EXISTING INLETS**  
N.T.S.

REVISIONS	
DATE	DESCRIPTION
09-28-2020	REVISIONS PER TOWNSHIP REVIEW COMMENTS
10-13-2020	REVISIONS PER TOWNSHIP REVIEW COMMENTS
11-16-2020	REVISIONS PER FSCD REVIEW COMMENTS
01-18-2022	REVISIONS PER GEOTECHNICAL REPORT
02-10-2022	REVISIONS PER TOWNSHIP REVIEW COMMENTS

THE OWNER AND CONTRACTOR SHALL HOLD HARMLESS THE ENGINEER FROM AND AGAINST ALL CLAIMS, DAMAGES, LOSSES AND EXPENSES INCLUDING ATTORNEY'S FEES ARISING OUT OF OR RESULTING FROM THE PERFORMANCE OF THE WORK BY THE CONTRACTOR. CHANGES TO THE PLANS BY THE OWNER AND THE CONTRACTOR SHALL BE THE RESPONSIBILITY OF THE PERSONS MAKING SUCH CHANGES. THE CONTRACTOR SHALL CHECK AND VERIFY ALL PLAN DIMENSIONS AND CONDITIONS BEFORE PROCEEDING WITH CONSTRUCTION.

**CONSTRUCTION DETAILS - 2**

**ETHEL ROAD ROADWAY IMPROVEMENTS  
STELTON ROAD TO THE MUNICIPAL BORDER**

SITUATED IN  
**TOWNSHIP OF PISCATAWAY  
MIDDLESEX COUNTY, NEW JERSEY**

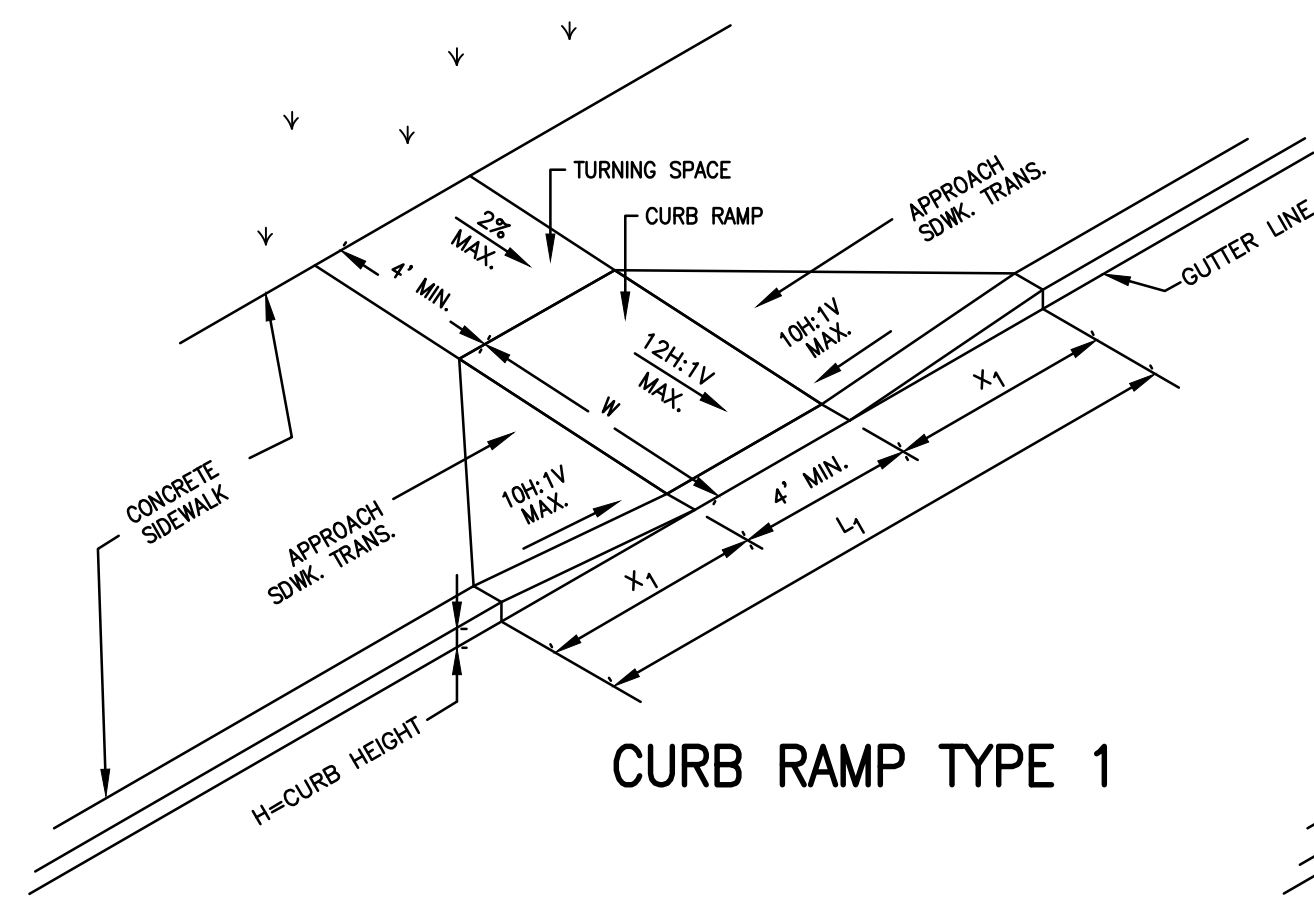
**Grotto Engineering Associates, LLC**  
ENGINEERS • PLANNERS • SURVEYORS  
Certificate of Authorization No. 24GA27918300  
340 NORTH AVENUE  
CRANFORD, NEW JERSEY 07016  
908-272-8901 (F) 908-272-8902

**EDWARD BOGAN** PROFESSIONAL ENGINEER  
N.J. LICENSE NO. 22260

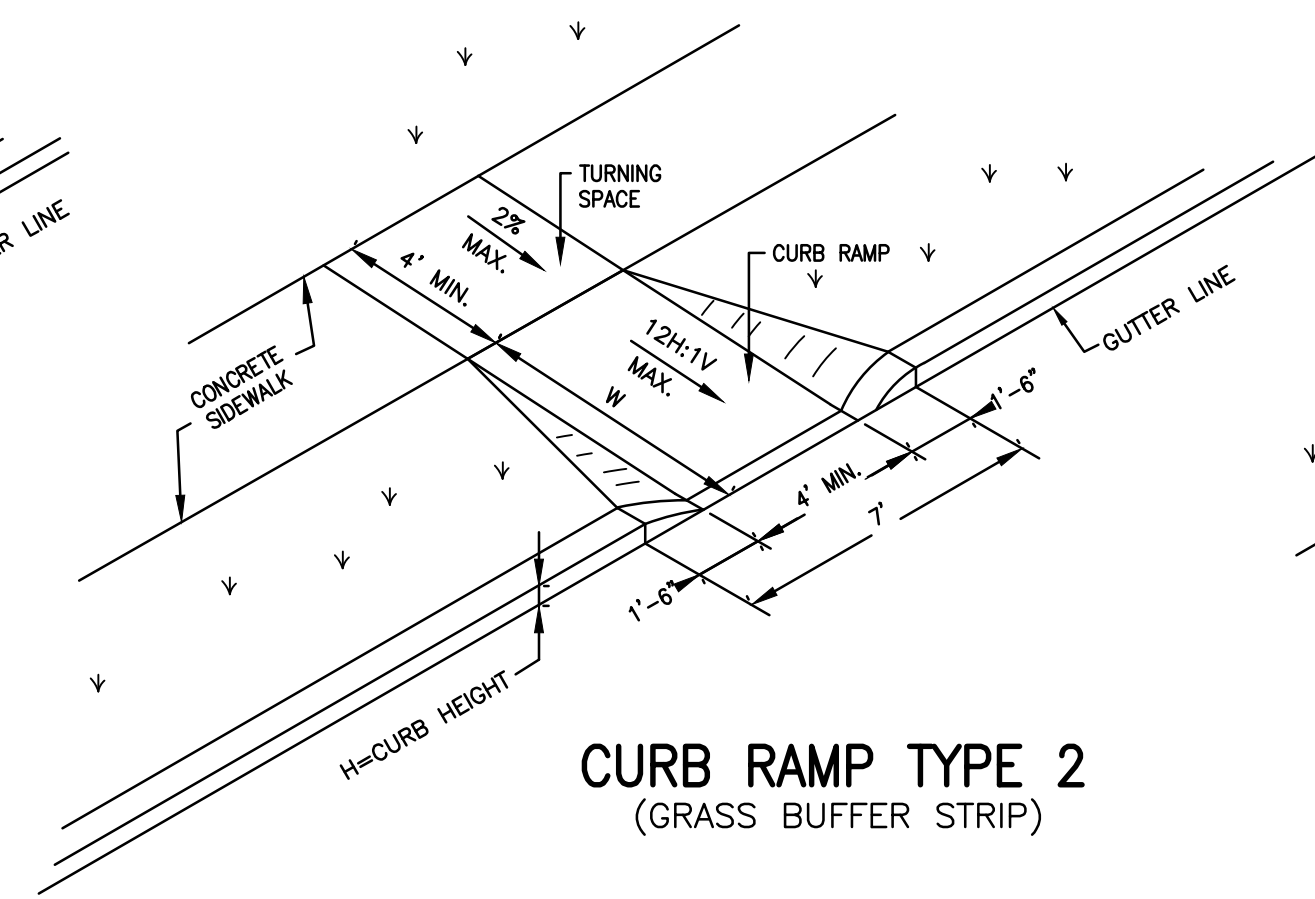
DATE: 07-01-2020 SCALE: NOT TO SCALE DRAWN: REB CHECKED: FF SHEET: 22 OF 25 JOB: PW-0008

S:\Ethel Road Projects\Facility\Sheet\Ethel Road Roadway Improvement Plan D - 12.22.20.dwg 2/10/2022

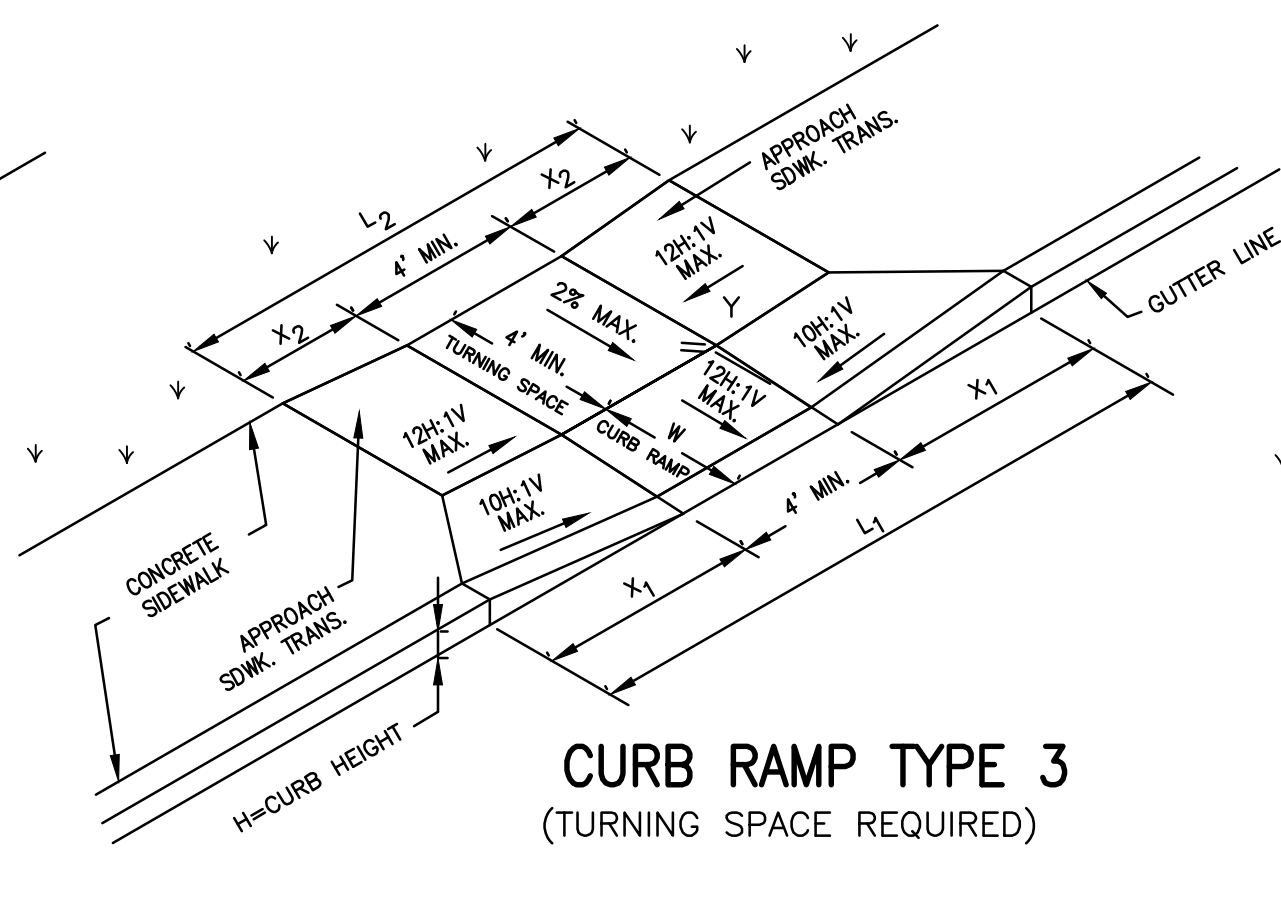




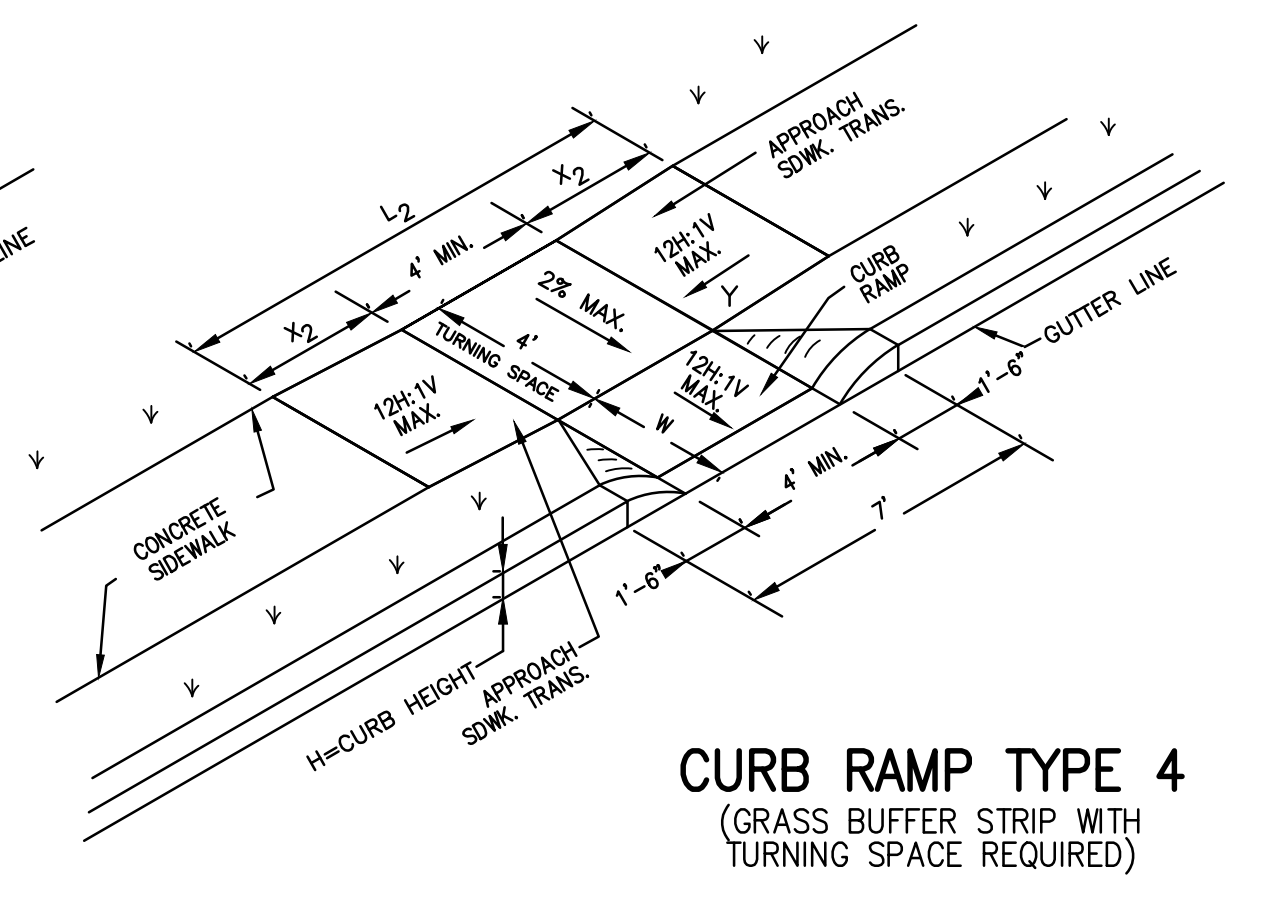
**CURB RAMP TYPE 1**



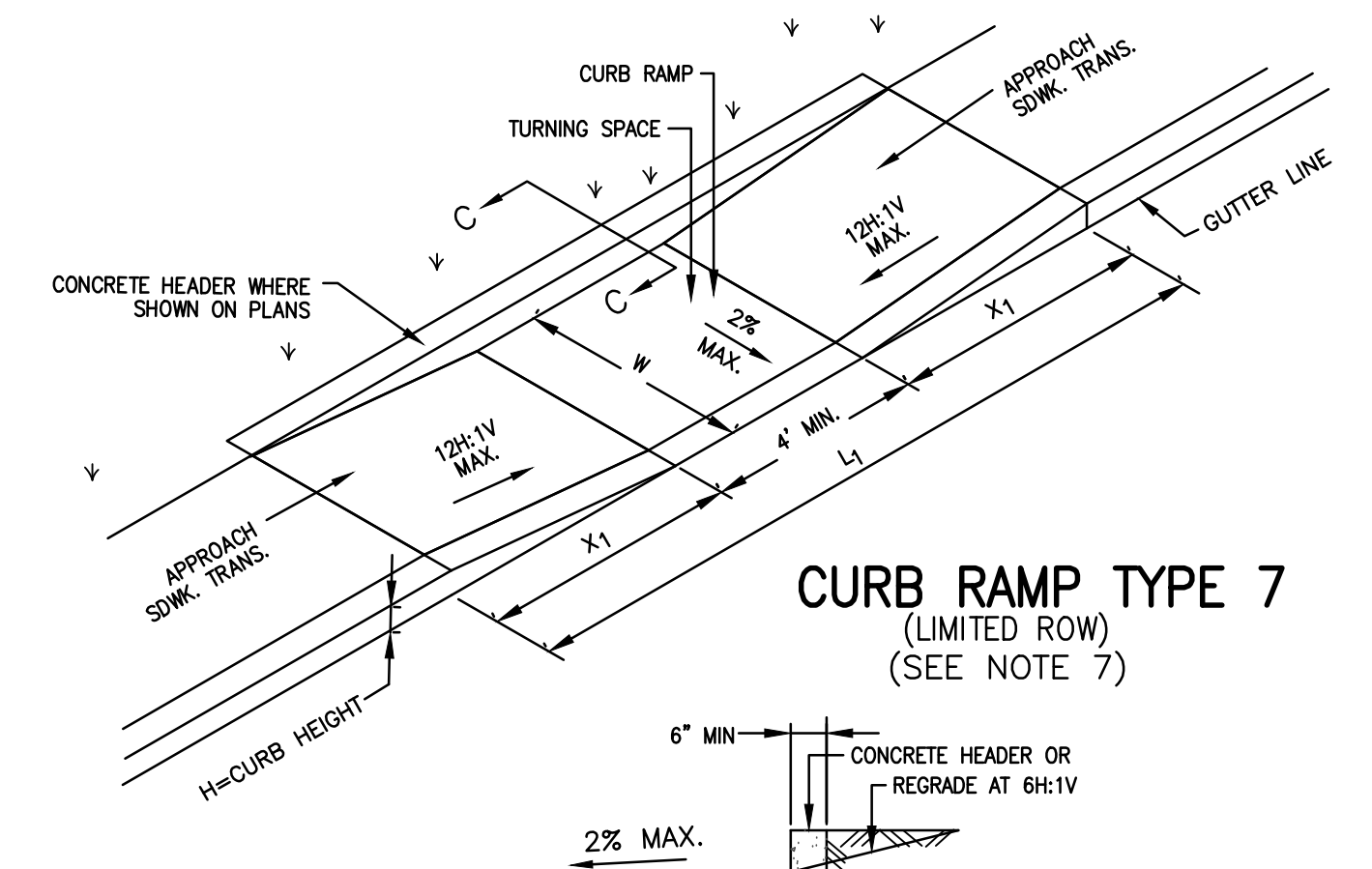
**CURB RAMP TYPE 2  
(GRASS BUFFER STRIP)**



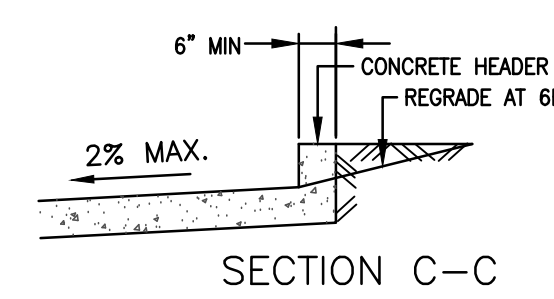
**CURB RAMP TYPE 3  
(TURNING SPACE REQUIRED)**



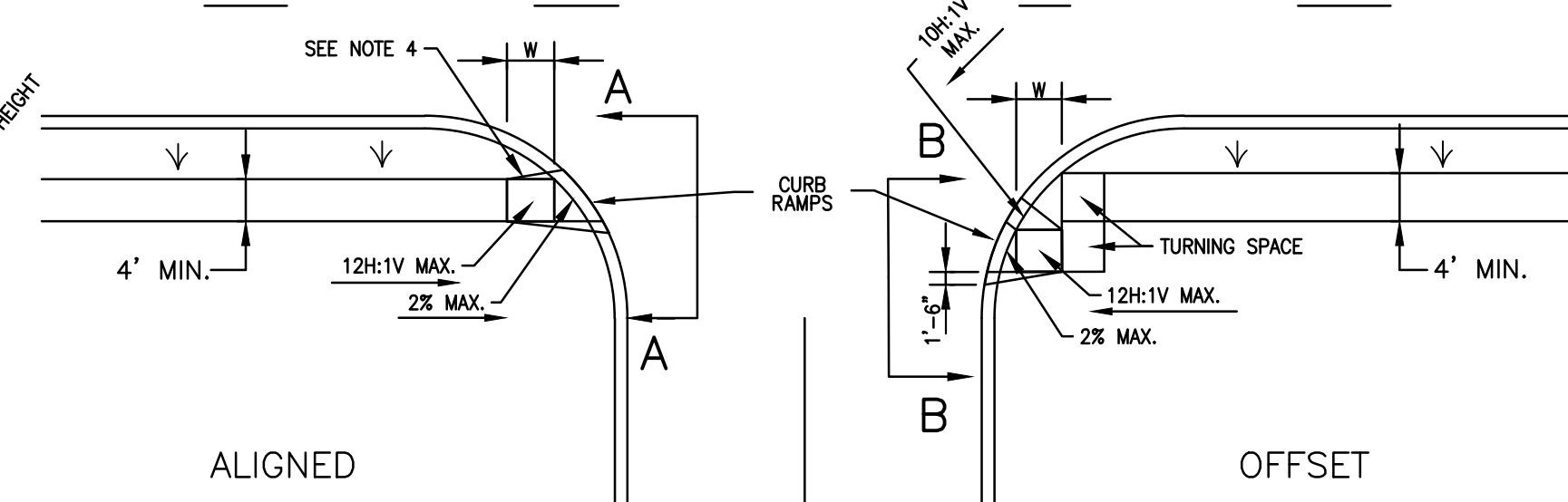
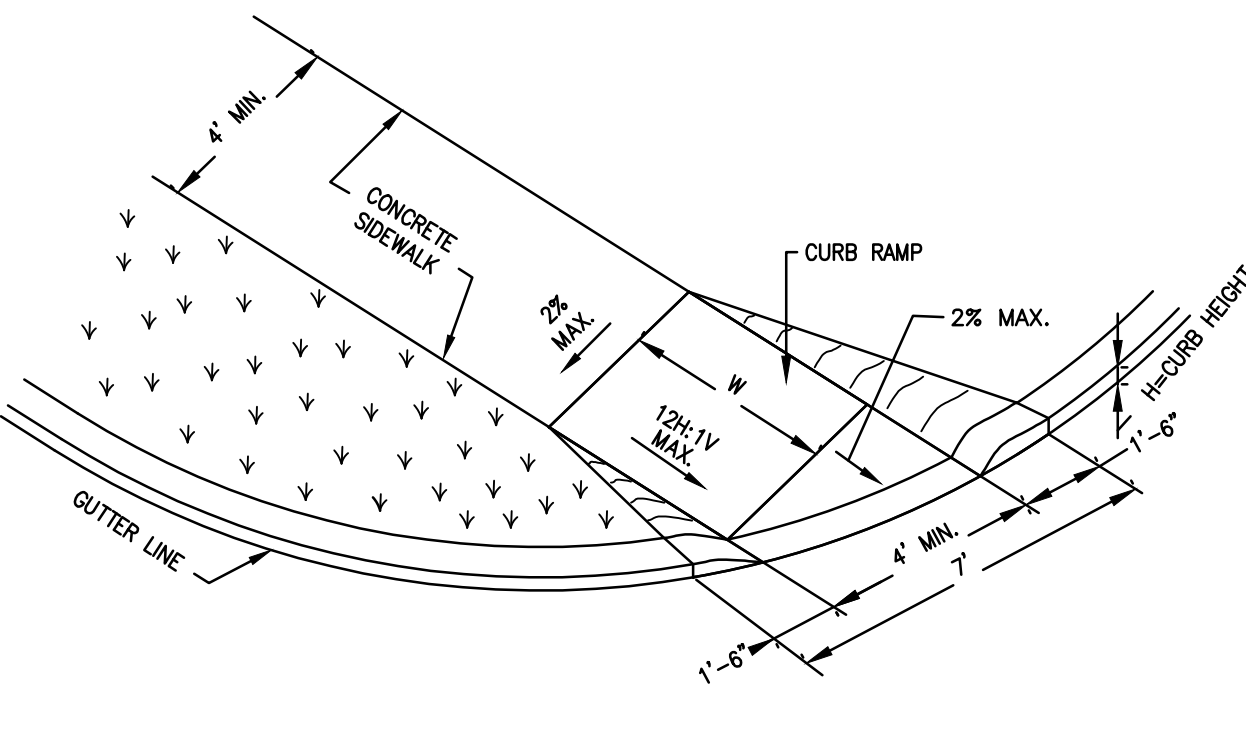
**CURB RAMP TYPE 4  
(GRASS BUFFER STRIP WITH  
TURNING SPACE REQUIRED)**



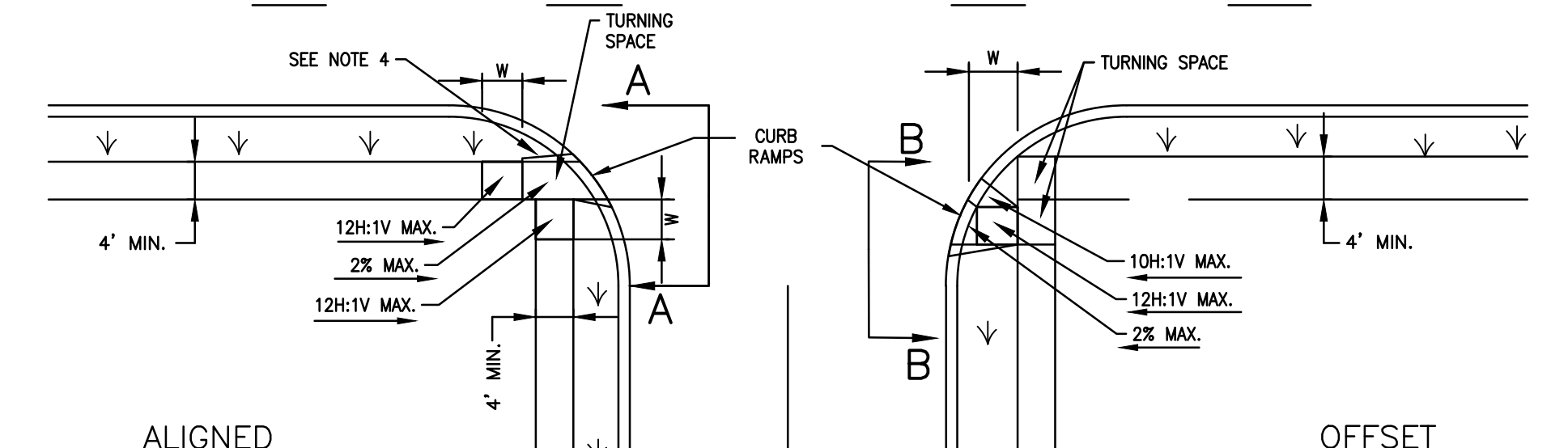
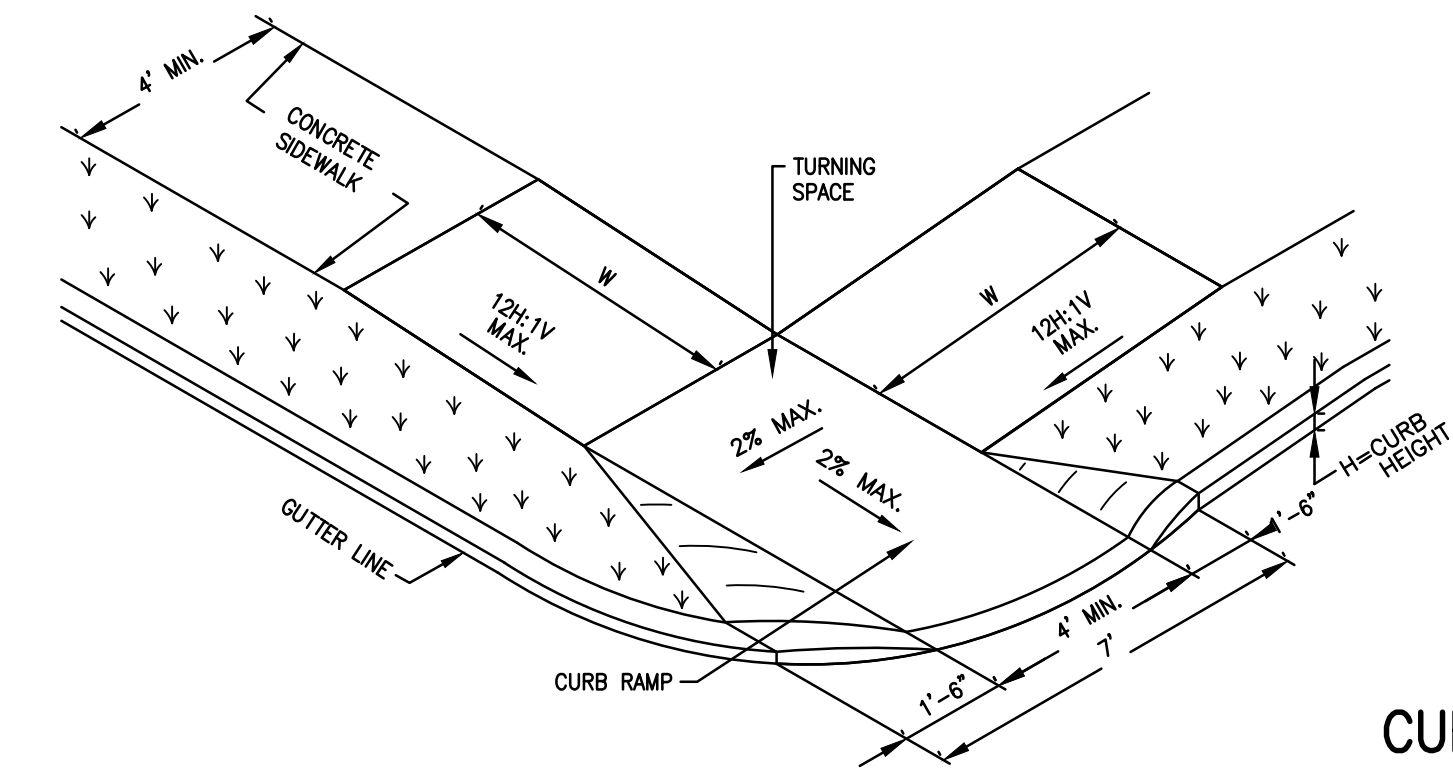
**CURB RAMP TYPE 7  
(LIMITED ROW)  
(SEE NOTE 7)**



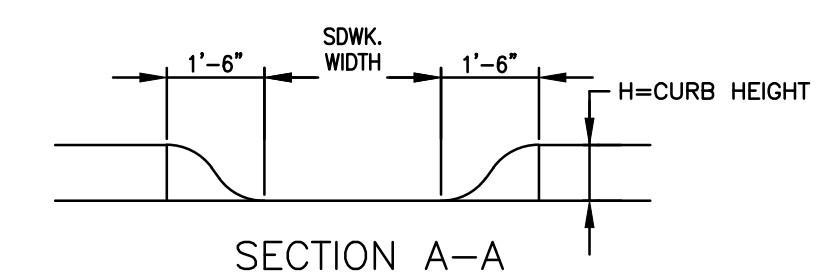
SECTION C-C



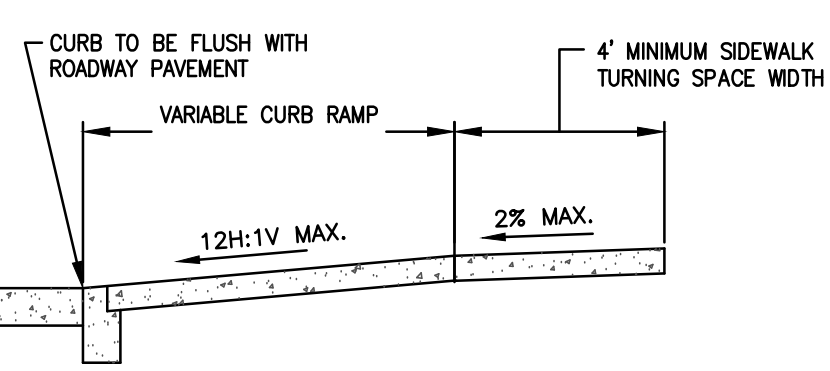
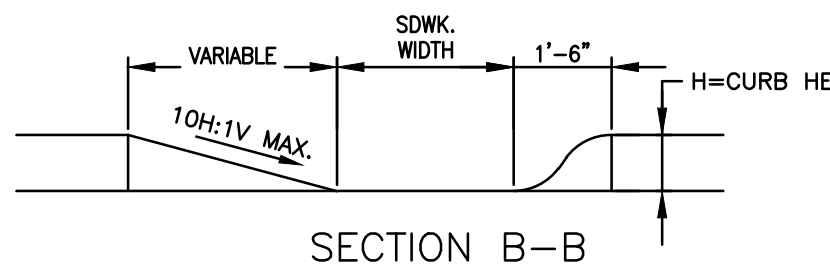
**CURB RAMP TYPE 5**



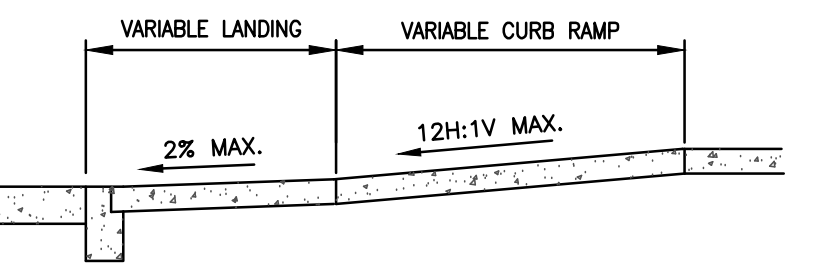
**CURB RAMP TYPE 6**



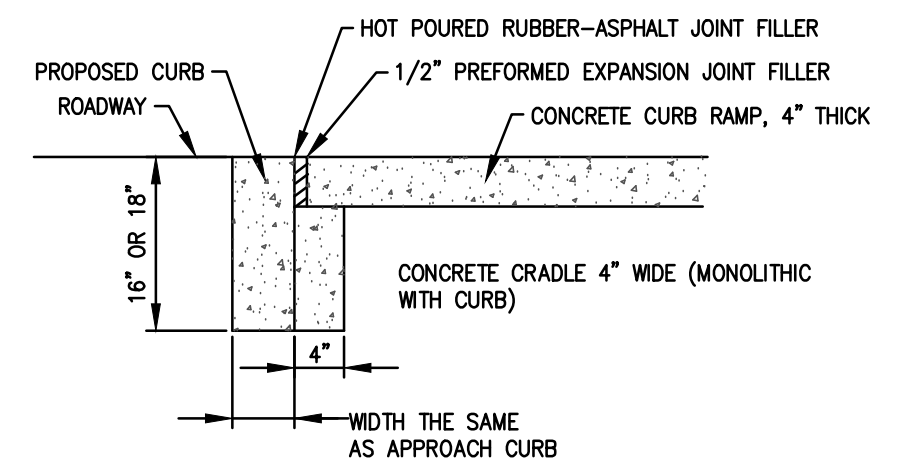
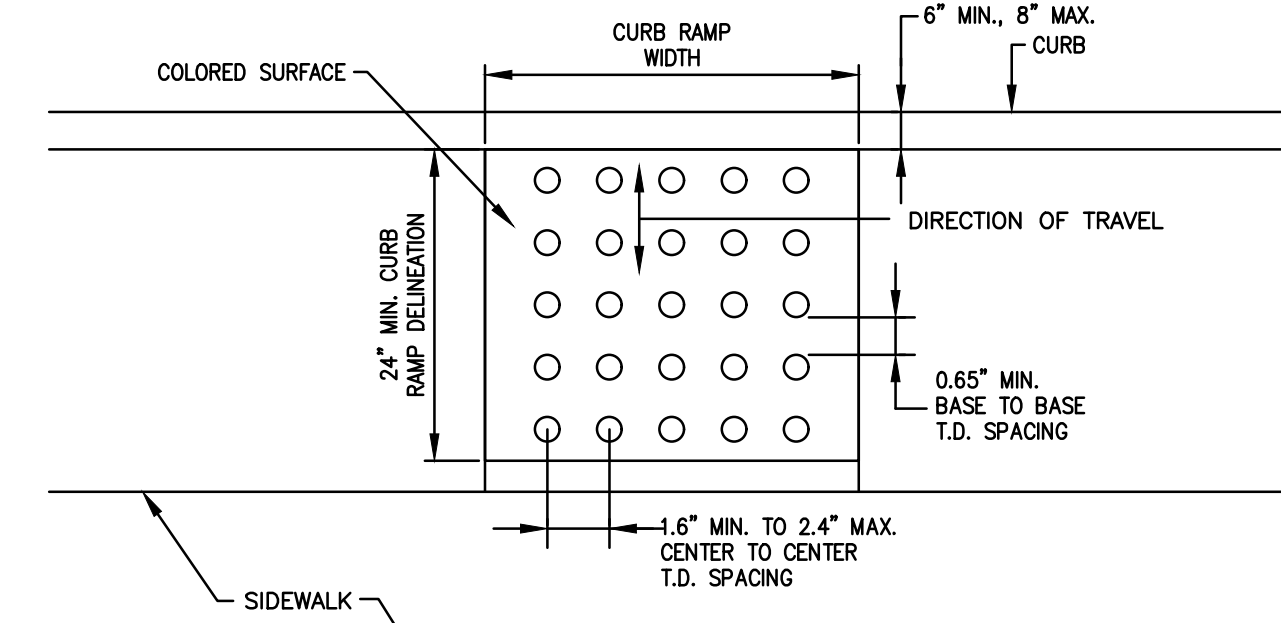
**NOTE:**  
CURB RAMP OPENING TO BE FLUSH WITH ROADWAY PAVEMENT (CURB RAMP TYPES 5 & 6).



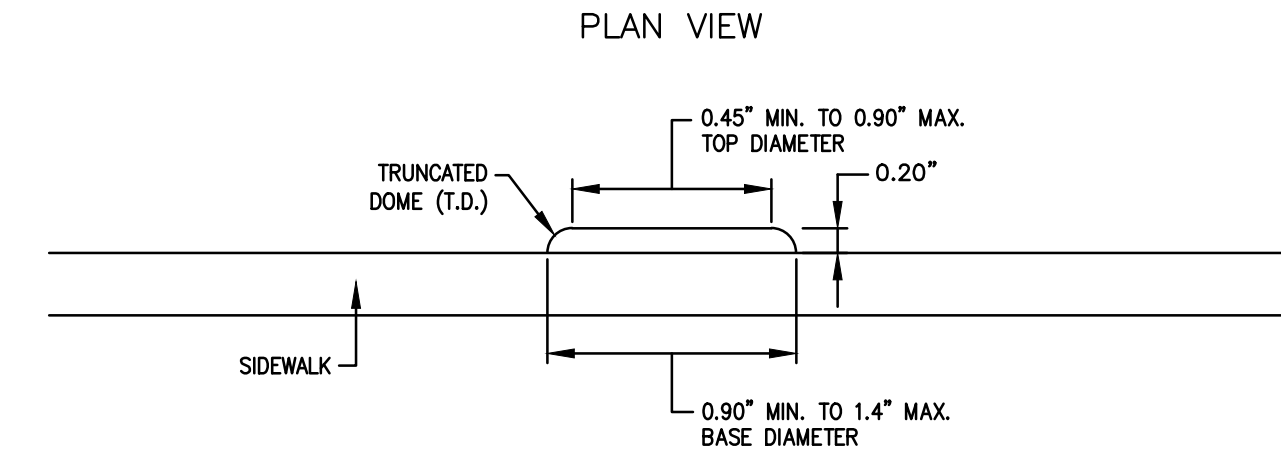
**SECTION THROUGH CURB RAMPS 1 THROUGH 4**



**SECTION THROUGH CURB RAMPS 5 AND 6**



**DROPPED CURB AND CRADLE**



**ELEVATION  
DETECTABLE WARNING SURFACE**

- NOTES:**
1. KEEP TURNING SPACE, APPROACH SIDEWALK TRANSITIONS, AND CURB RAMP CLEAR OF OBSTRUCTIONS THAT PROTRUDE ABOVE THE SIDEWALK.
  2. FOR DIMENSIONS SEE CD-606-1B AND CD-606-1C.
  3. CURB (DROPPED CURB) GUTTERLINE TO BE FLUSH WITH ROADWAY PAVEMENT A MINIMUM OF 4 FEET AT ALL CURB RAMPS.
  4. FOR CURB RAMP TYPES 5 AND 6, IF A GRASS BUFFER DOES NOT EXIST, SLOPE CURB TO EQUAL SLOPE OF ADJACENT CURB RAMP.
  5. SIDEWALK AND CURB RAMP WITHIN AREA ENCLOSED BY HEAVY LINES INDICATES THE PAY LIMIT FOR CONCRETE SIDEWALK OF THE APPROPRIATE ADJACENT THICKNESS.
  6. CURB AND CURB HEADER WITHIN AREA ENCLOSED BY HEAVY LINES INDICATES THE PAY LIMIT FOR VERTICAL CURB OR SLOPING CURB OF THE APPROPRIATE ADJACENT SIZE AND KIND.
  7. WHERE THE DISTANCE FROM THE GUTTER LINE TO THE OUTSIDE EDGE OF SIDEWALK IS 6 FEET OR LESS, USE CURB RAMP TYPE 7, INSTEAD OF CURB RAMP TYPE 1 THROUGH 4.
  8. CROSSWALKS AND STOP LINES MAY BE MARKED OR UNMARKED. SEE PLANS.
  9. DIMENSIONS SHOWN IN TABLES ARE FOR 3 INCH TO 9 INCH CURB HEIGHTS. WHERE THE CURB HEIGHTS ARE OTHER THAN WHAT IS PROVIDED IN THE TABLES, THE DIMENSIONS OF THE RAMPS WILL HAVE TO BE CALCULATED BASED ON CROSS SLOPES SHOWN.
  10. THE 12H:1V MAX SLOPE IS THE RUNNING SLOPE FOR CURB RAMPS, BUT ONLY THE 12H:1V SLOPE MEASURED AS X<sub>2</sub> IS THE RUNNING SLOPE FOR TYPE 3 AND TYPE 4 CURB RAMPS. ENSURE THE RUNNING SLOPE OF CURB RAMPS DOES NOT REQUIRE ITS LENGTH TO EXCEED 15 FEET. THE RUNNING SLOPE MAY EXCEED THE 12H:1V MAX SLOPE SO AS NOT TO EXCEED THE 15 FEET MAXIMUM LENGTH.

**CONSTRUCTION DETAILS - 3**

**ETHEL ROAD ROADWAY IMPROVEMENTS  
STELTON ROAD TO THE MUNICIPAL BORDER**

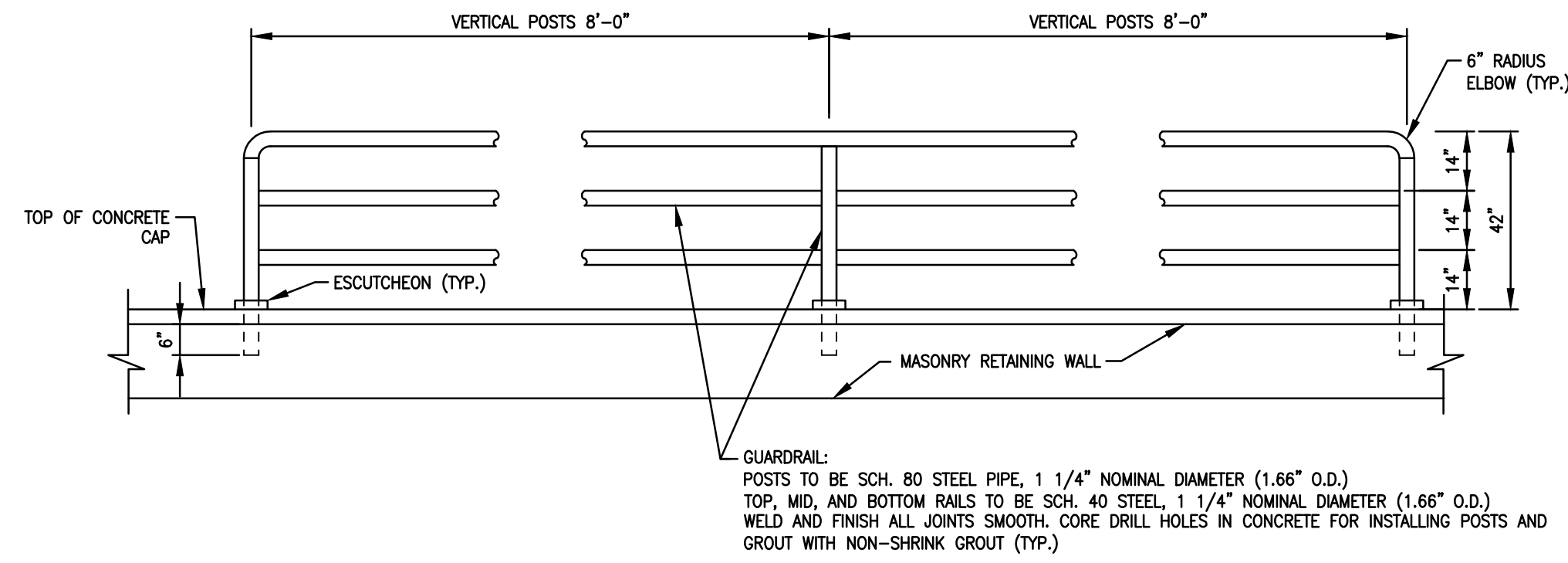
SITUATED IN  
**TOWNSHIP OF PISCATAWAY  
MIDDLESEX COUNTY, NEW JERSEY**

**Grotto ENGINEERING ASSOCIATES, LLC**  
ENGINEERS • PLANNERS • SURVEYORS  
Certificate of Authorization No. 24GA27918300  
340 NORTH AVENUE  
CRANFORD, NEW JERSEY 07016  
908-272-8901 (F) 908-272-8902

REVISIONS	
DATE	DESCRIPTION
09-28-2020	REVISIONS PER TOWNSHIP REVIEW COMMENTS
10-13-2020	REVISIONS PER TOWNSHIP REVIEW COMMENTS
11-16-2020	REVISIONS PER FSCD REVIEW COMMENTS
01-18-2022	REVISIONS PER GEOTECHNICAL REPORT
02-10-2022	REVISIONS PER TOWNSHIP REVIEW COMMENTS

THE OWNER AND CONTRACTOR SHALL HOLD HARMLESS THE ENGINEER FROM AND AGAINST ALL CLAIMS, DAMAGES, LOSSES AND EXPENSES INCLUDING ATTORNEY'S FEES ARISING OUT OF OR RESULTING FROM THE PERFORMANCE OF THE WORK BY THE CONTRACTOR. CHANGES TO THE PLANS BY THE OWNER AND THE CONTRACTOR SHALL BE THE RESPONSIBILITY OF THE PERSONS MAKING SUCH CHANGES. THE CONTRACTOR SHALL CHECK AND VERIFY ALL PLAN DIMENSIONS AND CONDITIONS BEFORE PROCEEDING WITH CONSTRUCTION.

S:\Ethel Road Projects\Facility\Sheet\Ethel Road Roadway Improvement Plan D - 12.22.20.dwg 2/10/2022

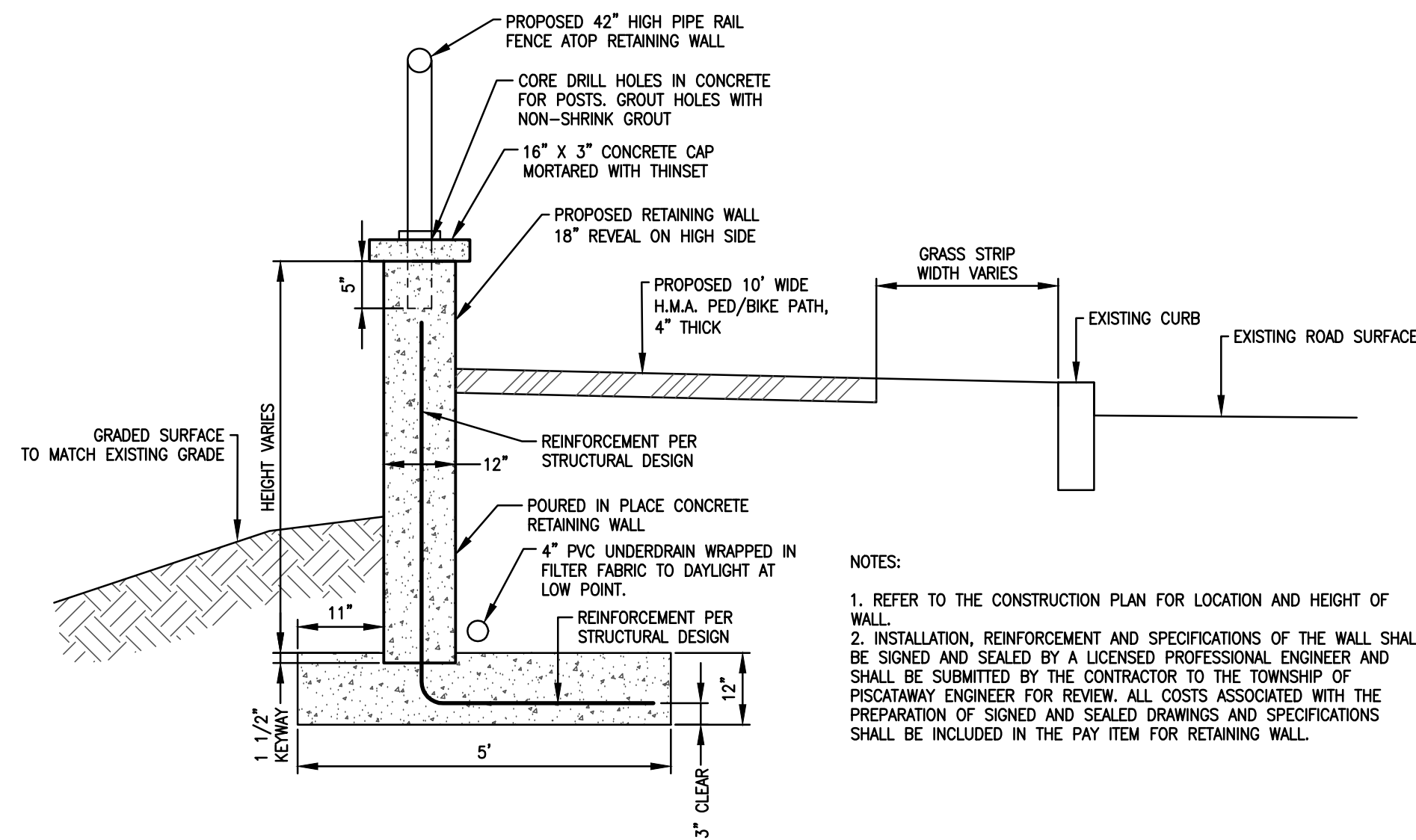


**NOTE:**

1. FIELD MEASURE ALL DIMENSIONS PRIOR TO FABRICATION.
2. CONTRACTOR TO PROVIDE SHOP DRAWINGS PRIOR TO CONSTRUCTION.
3. POST AND RAILS TO BE PAINTED. PAINT COLOR TO BE DETERMINED BY OWNER.
4. ALL COSTS ASSOCIATED WITH THE CONSTRUCTION OF THE PIPE RAIL SHALL BE INCLUDED IN THE PAY ITEM FOR RETAINING WALL. NO SEPARATE PAYMENT SHALL BE MADE FOR PIPE RAIL.

**RETAINING WALL PIPE RAIL DETAIL**

N.T.S.

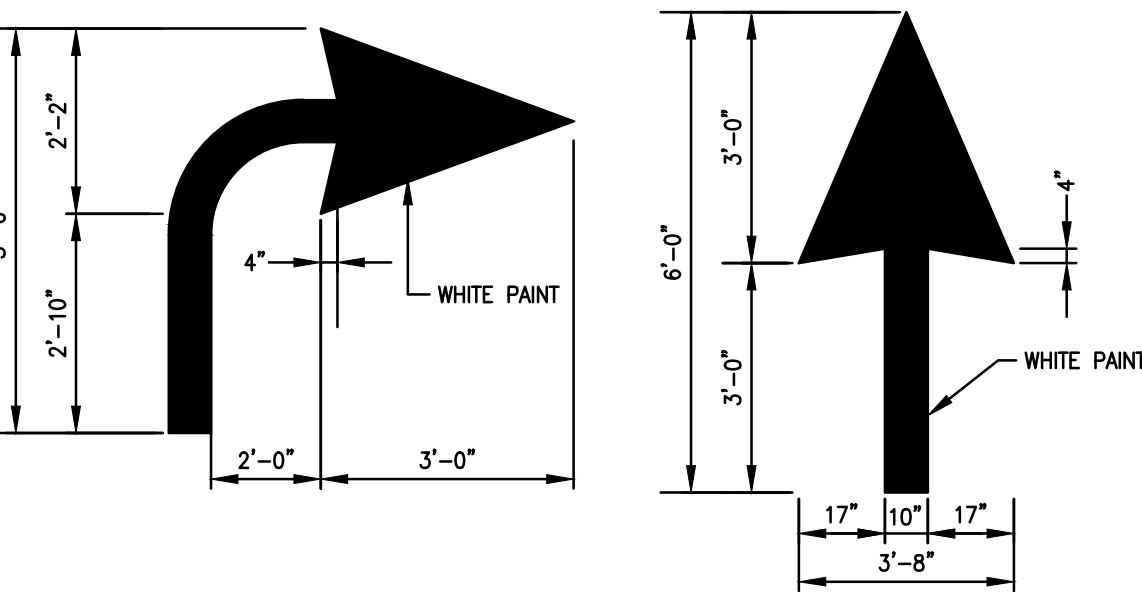


**NOTES:**

1. REFER TO THE CONSTRUCTION PLAN FOR LOCATION AND HEIGHT OF WALL.
2. INSTALLATION, REINFORCEMENT AND SPECIFICATIONS OF THE WALL SHALL BE SIGNED AND SEALED BY A LICENSED PROFESSIONAL ENGINEER AND SHALL BE SUBMITTED BY THE CONTRACTOR TO THE TOWNSHIP OF PISCATAWAY ENGINEER FOR REVIEW. ALL COSTS ASSOCIATED WITH THE PREPARATION OF SIGNED AND SEALED DRAWINGS AND SPECIFICATIONS SHALL BE INCLUDED IN THE PAY ITEM FOR RETAINING WALL.

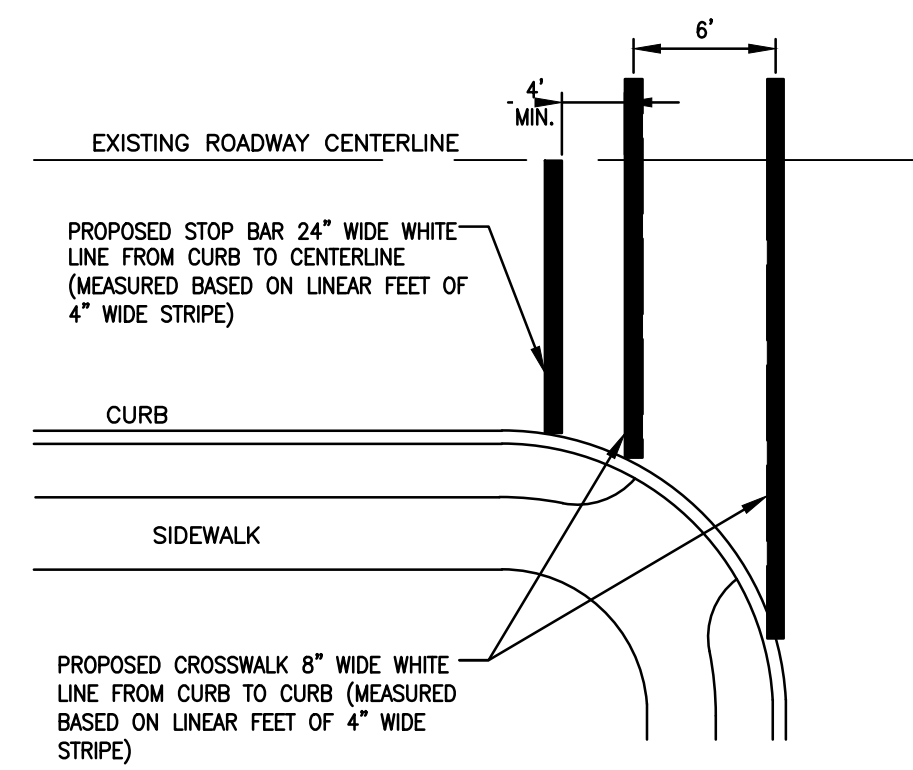
**PEDESTRIAN BIKE PATH/RETAINING WALL CROSS SECTION**

N.T.S.



**PAINTED PAVEMENT MARKING**

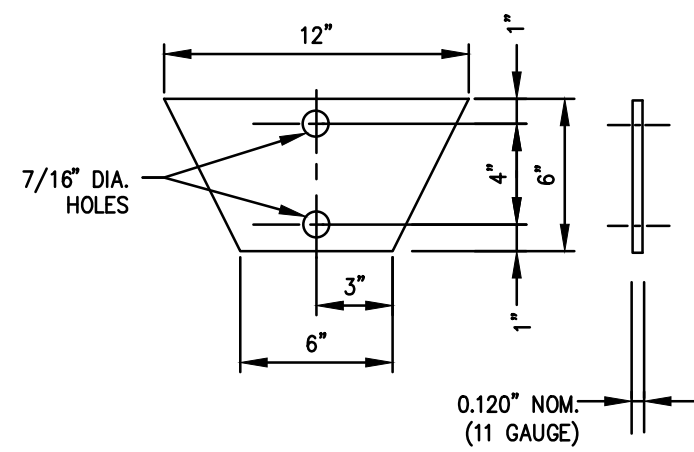
N.T.S.



**CROSSWALK & STOP BAR DETAIL**

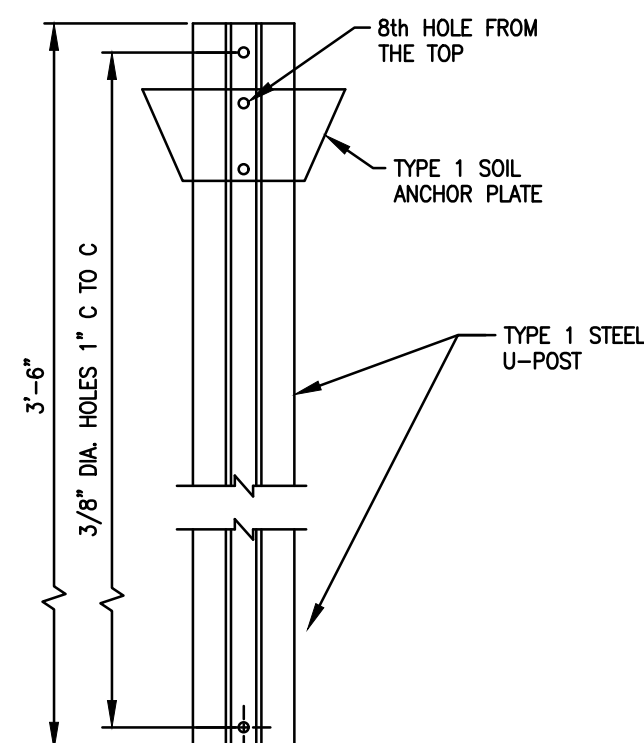
N.T.S.

**NOTE:** SIGN DIMENSIONS PER MUTCD SPECS.



**TYPE 1 SOIL ANCHOR PLATE**

N.T.S.



**TYPE 1 ANCHOR POST ASSEMBLY**

N.T.S.

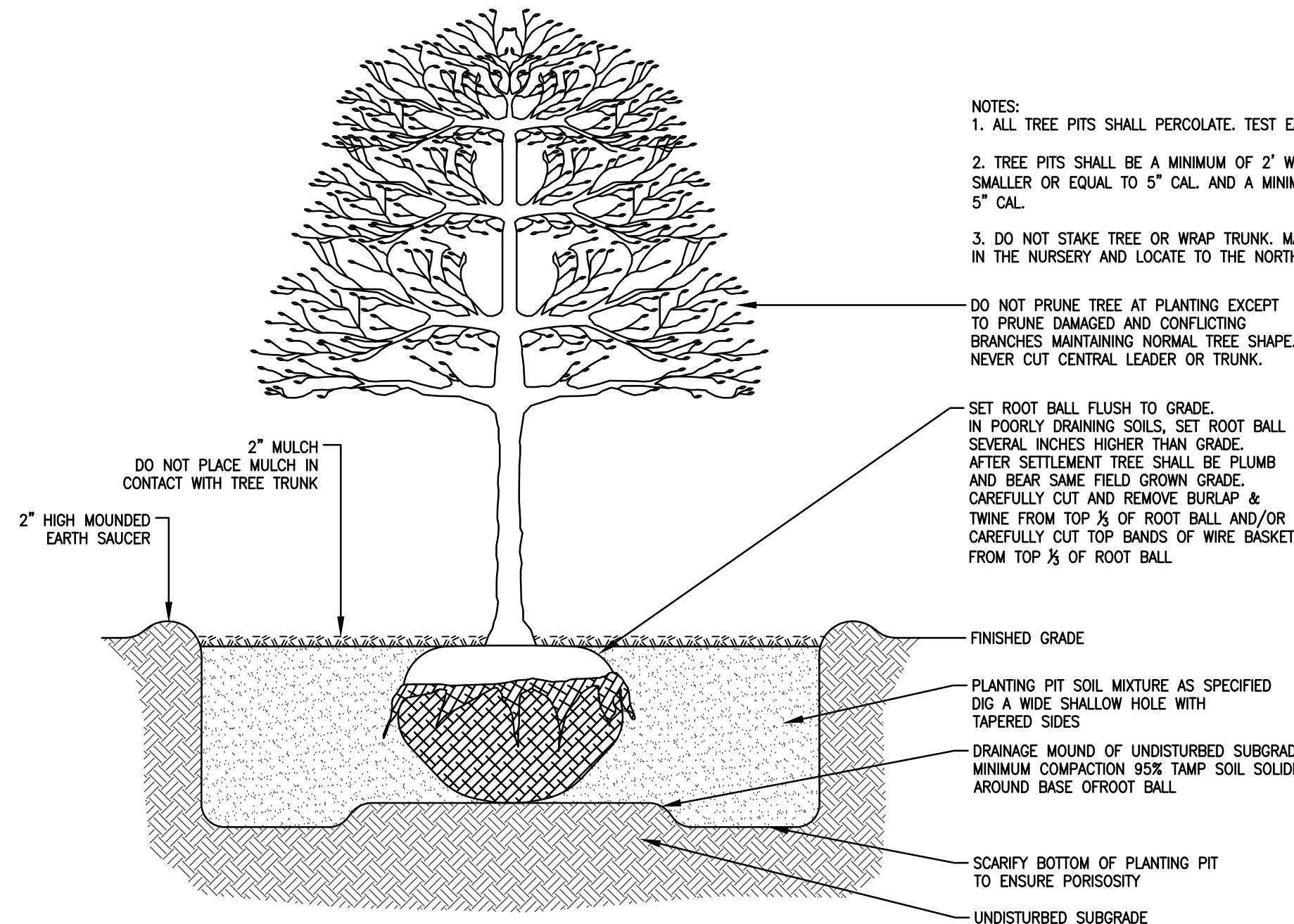
**NOTE:** ALL NEW AND REPLACED SIGNS SHALL UTILIZE A SOIL PLATE PER NJDOT STANDARDS.

**ROADSIDE SIGN POST DETAIL**

N.T.S.

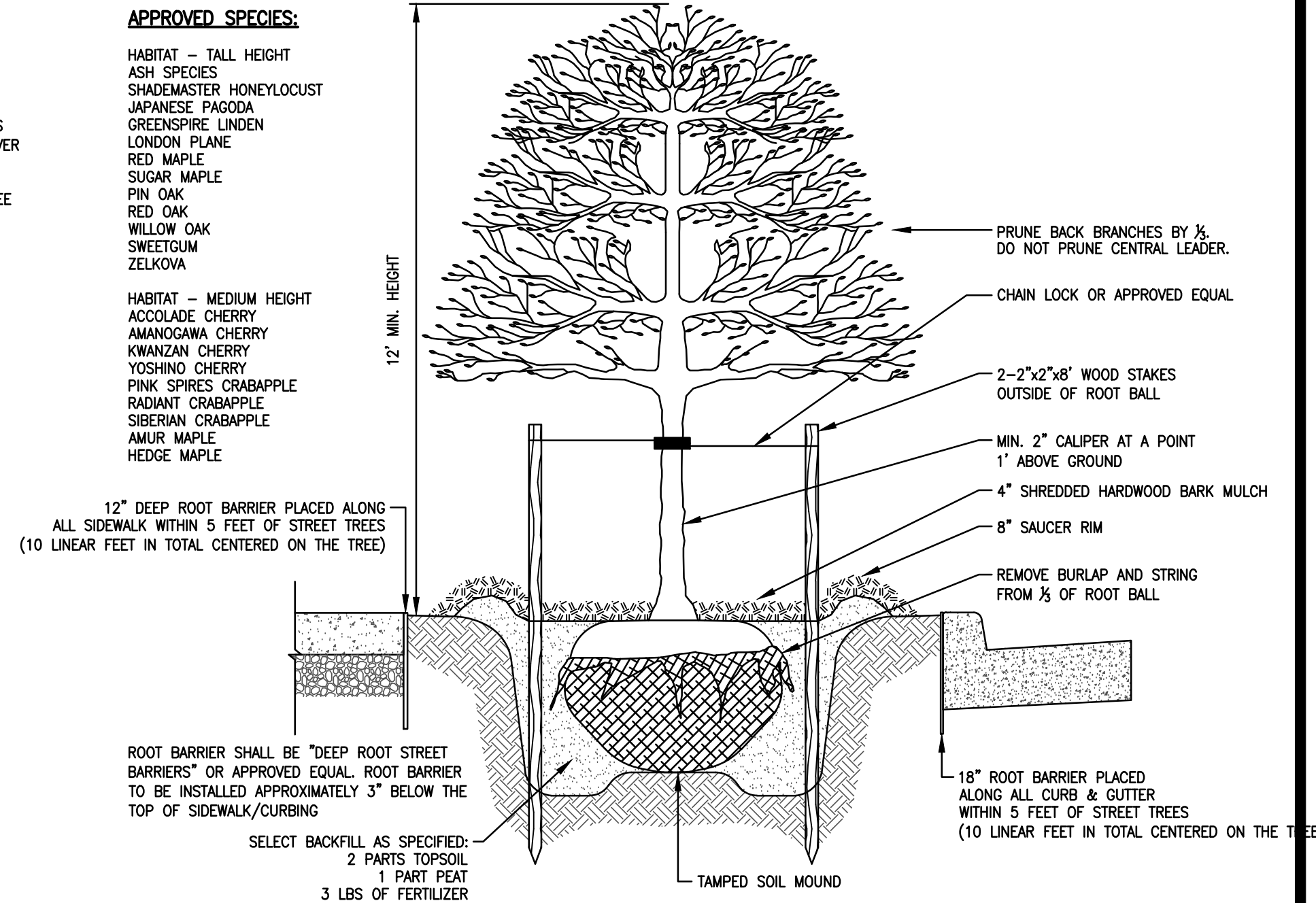
REVISIONS	
DATE	DESCRIPTION
09-28-2020	REVISIONS PER TOWNSHIP REVIEW COMMENTS
10-13-2020	REVISIONS PER TOWNSHIP REVIEW COMMENTS
11-16-2020	REVISIONS PER FSCD REVIEW COMMENTS
01-18-2022	REVISIONS PER GEOTECHNICAL REPORT
02-10-2022	REVISIONS PER TOWNSHIP REVIEW COMMENTS

THE OWNER AND CONTRACTOR SHALL HOLD HARMLESS THE ENGINEER FROM AND AGAINST ALL CLAIMS, DAMAGES, LOSSES AND EXPENSES INCLUDING ATTORNEY'S FEES ARISING OUT OF OR RESULTING FROM THE PERFORMANCE OF THE WORK BY THE CONTRACTOR. CHANGES TO THE PLANS BY THE OWNER AND THE CONTRACTOR SHALL BE THE RESPONSIBILITY OF THE PERSONS MAKING SUCH CHANGES. THE CONTRACTOR SHALL CHECK AND VERIFY ALL PLAN DIMENSIONS AND CONDITIONS BEFORE PROCEEDING WITH CONSTRUCTION.



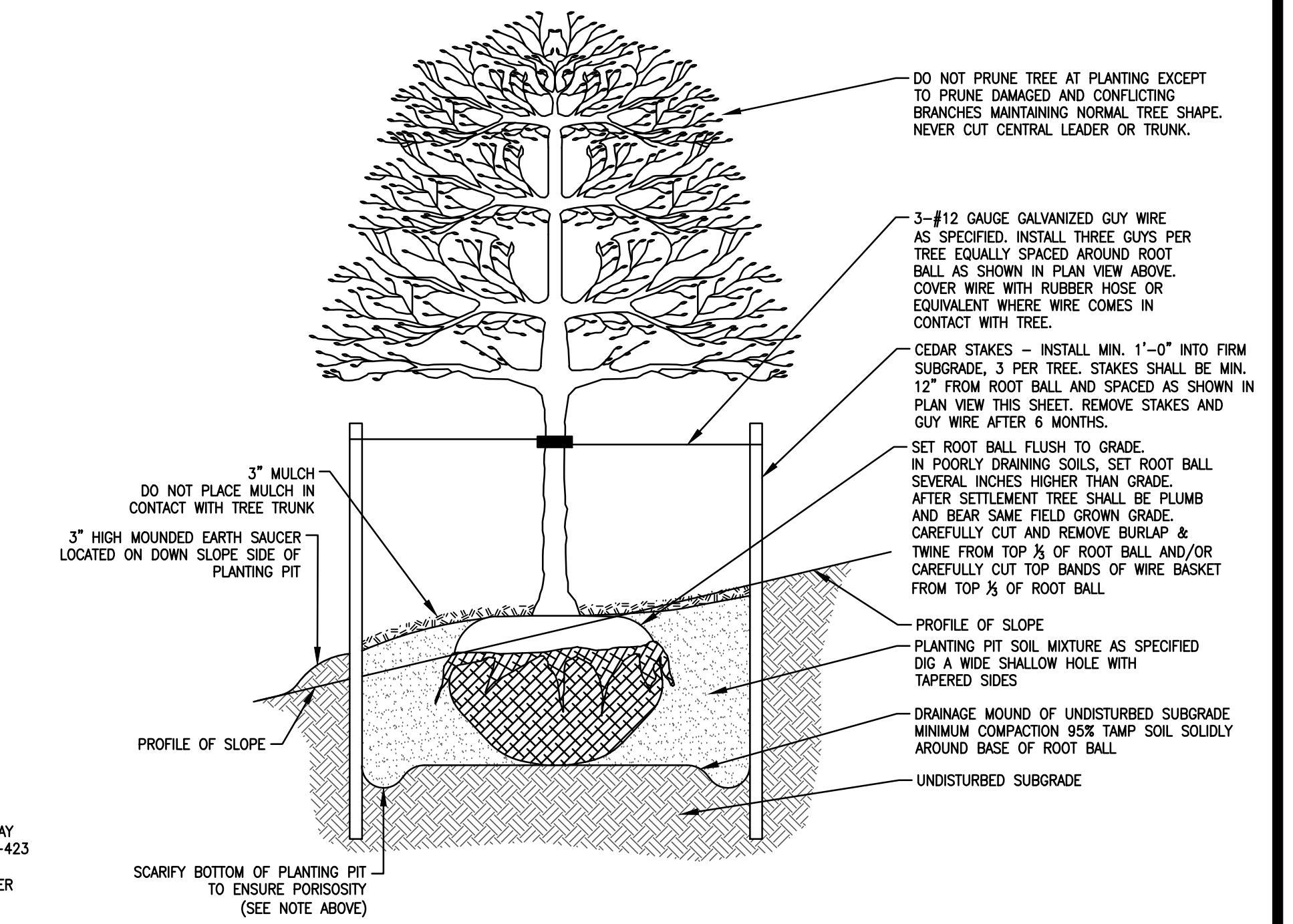
**PLANTING DETAIL DECIDUOUS TREES <4.0" CAL.**

N.T.S.



**SHADE TREE PLANTING DETAIL**

N.T.S.



**TREE PLANTING ON SLOPE**

N.T.S.

**CONSTRUCTION DETAILS - 4**

**ETHEL ROAD ROADWAY IMPROVEMENT'S  
STELTON ROAD TO THE MUNICIPAL BORDER**

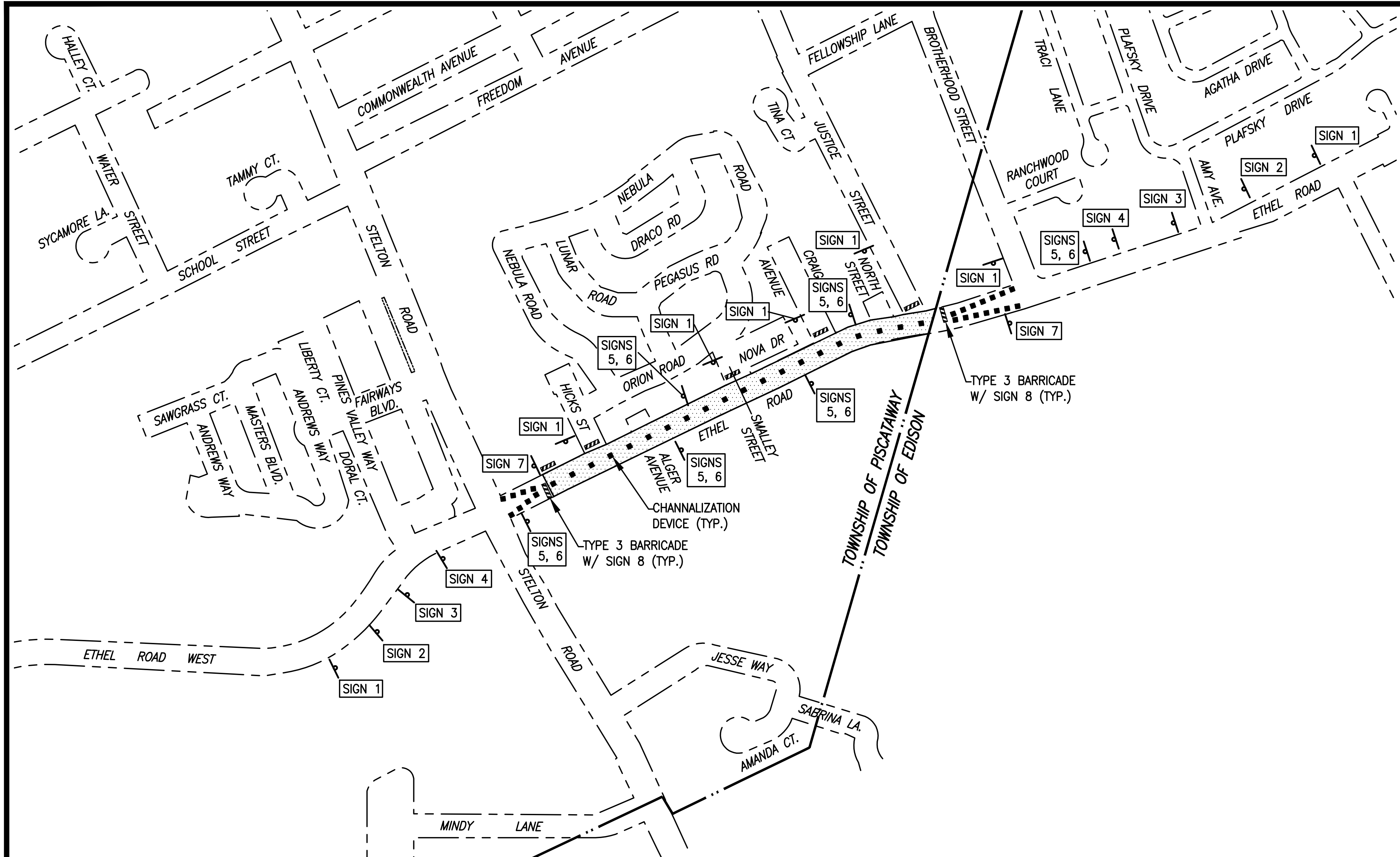
SITUATED IN  
TOWNSHIP OF PISCATAWAY  
MIDDLESEX COUNTY, NEW JERSEY

**Grotto Engineering Associates, LLC**  
ENGINEERS • PLANNERS • SURVEYORS  
Certificate of Authorization No. 24GA27918300  
340 NORTH AVENUE  
CRANFORD, NEW JERSEY 07016  
908-272-8901 (F) 908-272-8902

**EDWARD BOGAN**

PROFESSIONAL ENGINEER  
N.J. LICENSE NO. 22260





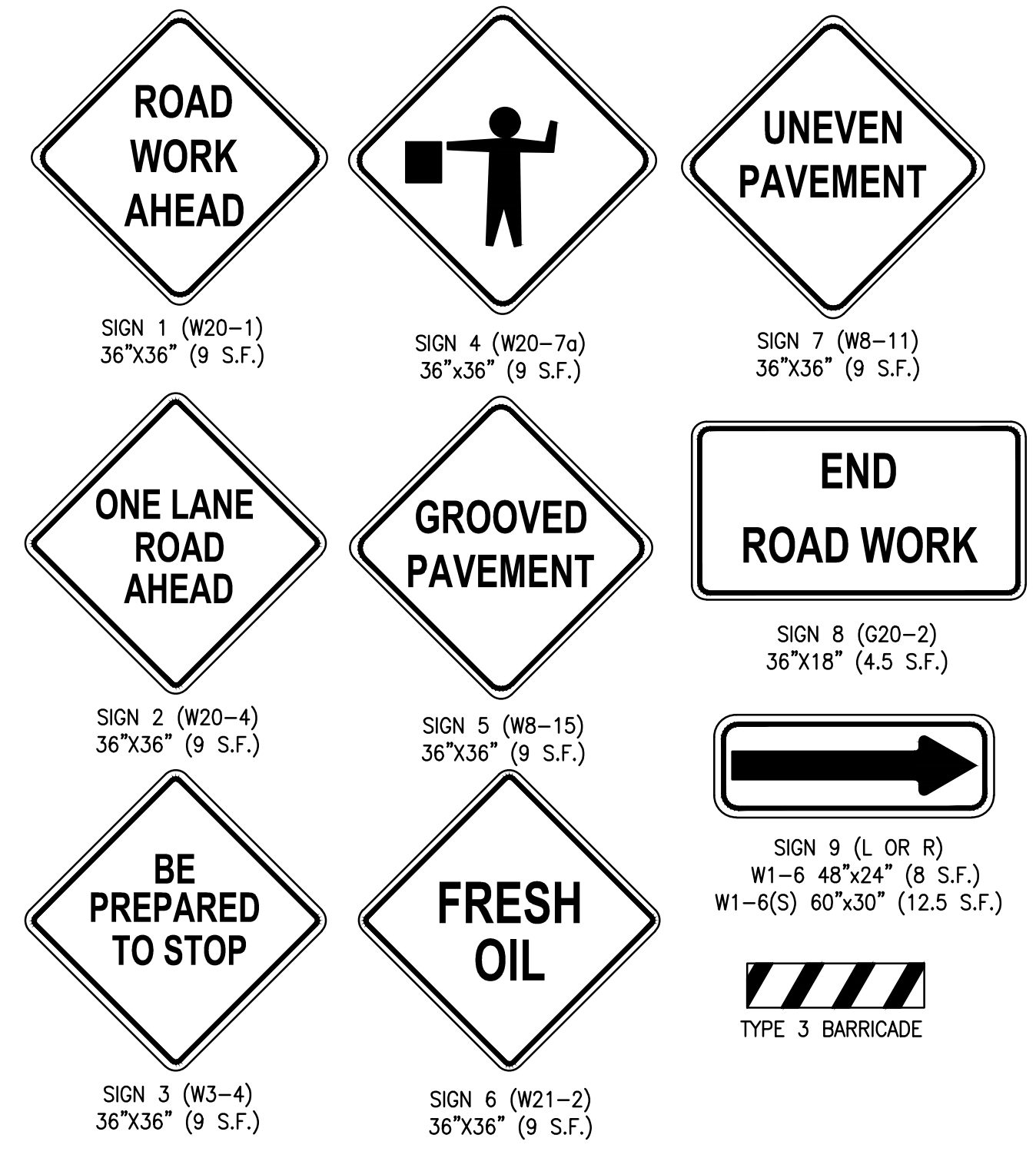
**GENERAL NOTES:**

- DIMENSIONS, COLORS AND DETAILS OF VARIOUS SIZE SIGNS, AND ACCESSORY PANELS TO FOLLOW STANDARDS IN THE CURRENT "STANDARD HIGHWAY SIGN PUBLICATION" AND THE CURRENT "MANUAL ON UNIFORM TRAFFIC CONTROL DEVICES FOR STREETS AND HIGHWAYS".
  - (S) REPRESENTS A SPECIAL SIZE SIGN.
  - LETTERS AND NUMERALS SHALL CONFORM TO THE CURRENT MANUAL, "STANDARD ALPHABETS FOR HIGHWAY SIGNS", U.S. DEPARTMENT OF TRANSPORTATION, FEDERAL HIGHWAY ADMINISTRATION.
  - SEE TRAFFIC CONTROL SIGN SCHEDULE FOR REQUIRED SIGN CONTENTS.
- BACKING MATERIAL**
- ALUMINUM SHALL BE FLAT SHEET OF ALLOY 5052-H38 OR 6061-T6 ALLOY, 2.5 MM THICK.
- TEMPORARY SIGN SUPPORTS**
- SIGN SUPPORTS SHALL BE OF WELL SEASONED LUMBER, S4S, FREE OF SPLITS, KNOTS AND WARPS OR, OF STEEL COMPONENTS.
  - WOOD POSTS SHALL HAVE A UNIFORM CROSS-SECTION AND SHALL NOT EXCEED THE FOLLOWING DIMENSIONS FOR:  
SINGLE POST = 4 x 6 IN;  
TWO POSTS = 3 x 6 IN OR 4 x 6 IN  
THREE POSTS = 3 x 6 IN OR 4 x 4 IN
  - 4 x 6 IN. WOOD POSTS SHALL BE MODIFIED BY DRILLING 1.5 IN DIAMETER HOLES 4 IN. AND 6 IN. ABOVE THE GROUND LINE AND PERPENDICULAR TO THE ROADWAY CENTERLINE.
  - NO BRACING IS PERMITTED. VERTICAL CLEARANCES FOR SIGNS MOUNTED ON WOOD SUPPORTS SHALL BE APPROXIMATELY 6.8 FT. MINIMUM. EMBEDMENT DEPTH FOR THE WOOD POST SHALL NOT EXCEED APPROXIMATELY 3.2 FT.
  - STEEL POSTS SHALL BE IN ACCORDANCE WITH THE STANDARD DETAIL FOR U-POST SIGN SUPPORT.
  - TEMPORARY SIGN SUPPORTS NOT MEETING THIS CRITERIA SHALL BE SHIELDED BY A LONGITUDINAL BARRIER OR CRASH CUSHIONS.
- SIGN FACES**
- SIGN FACES SHALL BE RETROREFLECTIVE SHEETING, TYPE II OT 111A, EXCEPT FOR THE W20 SERIES AND W4-2 SIGN FACES WHICH SHALL BE TYPE IV-B SHEETING.
- FASTENING**
- ALL SIGNS SHALL BE SECURELY FASTENED TO THEIR SUPPORTS WITH BOLTS, NUTS AND WASHERS IN ACCORDANCE WITH THE SPECIFICATIONS.

**TRAFFIC CONTROL AND DETOUR PLAN**

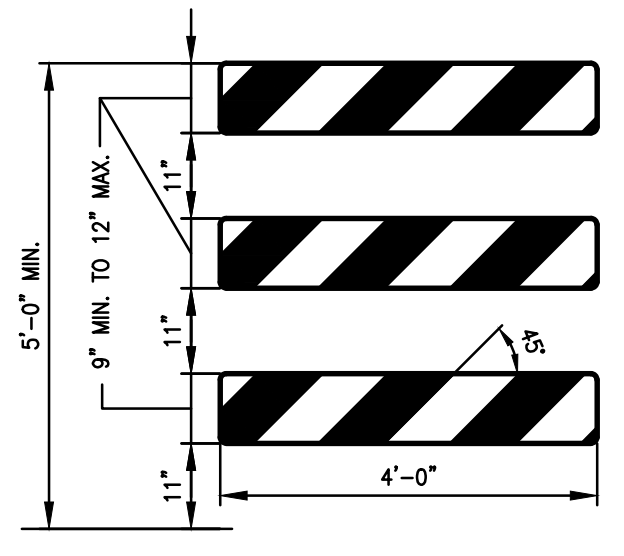
- ALL SIGNAGE AND STRIPING SHALL BE INSTALLED IN ACCORDANCE WITH THE MANUAL ON UNIFORM TRAFFIC CONTROL DEVICES (MUTCD) AS CURRENTLY AMENDED.
- THIS DETOUR PLAN SHOWS TYPICAL CONSTRUCTION ONLY. EXACT DETOUR PLAN WILL VARY DEPENDING ON THE TIMING AND PHASING OF THE CONSTRUCTION PROJECT. THE CONTRACTOR SHALL SUBMIT AN EXACT DETOUR PLAN TO THE PISCATAWAY TOWNSHIP POLICE DEPARTMENT, TRAFFIC SAFETY DIVISION FOR REVIEW AND APPROVAL.
- PRIOR TO THE START OF CONSTRUCTION, THE ENGINEER SHALL BE NOTIFIED ON THE SINGLE SUPERVISORY LEVEL INDIVIDUAL, TRAINED IN THE PRINCIPLES OF SAFE TRAFFIC CONTROL, WHO, ALONG WITH THE DIRECTION OF THE POLICE DEPARTMENT'S TRAFFIC SAFETY DIVISION, WILL BE ASSIGNED THE RESPONSIBILITY AND AUTHORITY FOR THE IMPLEMENTATION AND THE MAINTENANCE OF THE TRAFFIC CONTROL.
- THE OWNERS OF ADJOINING PROPERTIES SHALL BE GIVEN A WRITTEN NOTICE AT LEAST 3 DAYS PRIOR TO THE BEGINNING OF ANY WORK WHICH INTERFERES WITH THE OWNER'S NORMAL PASSAGE.
- REDUCTION OF THE NUMBER OF LANES AVAILABLE FOR TRAFFIC OR REDUCTION OF THE EXISTING WIDTHS OF TRAVELED WAY WILL NOT BE PERMITTED UNTIL AFTER 9:00 A.M., AND SHALL BE REMOVED PRIOR TO 3:30 P.M. UNLESS OTHERWISE DIRECTED BY THE ENGINEER.
- TWO LANES SHALL BE KEPT OPEN AT ALL TIMES. ETHEL ROAD CAN "NOT" BE CLOSED TO TRAFFIC AT ANY TIME. THE CONTRACTOR SHALL COORDINATE WITH THE PISCATAWAY TOWNSHIP POLICE DEPARTMENT FOR TRAFFIC CONTROL.
- THE ROADWAY SHALL BE REOPENED EVERY DAY AFTER WORK IS COMPLETED AND NO ROAD CLOSURES WILL BE ALLOWED OVERNIGHT.
- THE CONTRACTOR SHALL ERECT OR PLACE, AND MAINTAIN IN GOOD CONDITION: BARRICADES, WARNING SIGNS, LIGHTS, FLARES, APPROVED YELLOW FLASHING LIGHT UNITS, RUBBER TRAFFIC CONES, DRUMS, AND OTHER WARNING AND DANGER SIGNALS AND DEVICES, APPROPRIATE AND ADEQUATE AT POINTS WHERE THE USABLE TRAFFIC WIDTH OF THE ROAD IS REDUCED; WHERE TRAFFIC IS DEFLECTED FROM ITS NORMAL COURSE OR LANES; AND AT OTHER PLACES OF DANGER TO VEHICULAR OR PEDESTRIAN TRAFFIC.
- CONSTRUCTION SIGNS SHALL BE LOCATED BY THE CONTRACTOR AS SHOWN ON THE PLANS OR AT SPECIFIC LOCATIONS DESIGNATED BY THE POLICE DEPARTMENT AS THE FIRST ORDER OF WORK FOR THE PROJECT AND SHALL BE MAINTAINED SO AS TO PROVIDE MAXIMUM VISIBILITY AND LEGIBILITY AT ALL TIMES.
- TRAFFIC CONTROL DEVICES SHALL BE KEPT CLEAN AND MAINTAINED IN GOOD CONDITION INCLUDING REPLACEMENT, IF LOST, STOLEN, OR DAMAGED, UNTIL NO LONGER REQUIRED FOR THE PROJECT. ALL TRAFFIC CONTROL DEVICES SHALL COMPLY WITH THE DETAILS SHOWN ON THE PLANS, SUPPLEMENTARY SPECIFICATIONS, THE MANUAL ON UNIFORM TRAFFIC CONTROL DEVICES (MUTCD), AND STANDARD DETAILS FOR TRAFFIC CONTROL DEVICES AS DEVELOPED BY THE NEW JERSEY DEPARTMENT OF TRANSPORTATION.
- TRAFFIC CONTROL DEVICES SHALL ALSO BE PLACED AS DIRECTED BY THE ENGINEER TO PROVIDE TRAFFIC CONTROL FOR PERSONNEL DOING INSPECTIONS, SAMPLING, TESTING, OR TAKING MEASUREMENTS REQUIRED FOR THE PROJECT.
- THE CONTRACTOR SHALL MAINTAIN TRAFFIC AND ACCESS TO RESIDENCES AND BUSINESSES FOR THE DURATION OF THE PROJECT. THE CONTRACTOR IS TO ENSURE THE SAFETY OF PEDESTRIANS, ACCESS FOR GARBAGE COLLECTION AND EMERGENCY VEHICLES AT ALL TIMES DURING CONSTRUCTION.
- WHEN CONSTRUCTION SIGNS CONFLICT WITH EXISTING SIGNS, THE EXISTING SIGN(S) SHALL BE COVERED. WHEN CONSTRUCTION SIGNS ARE NO LONGER REQUIRED, THEY SHALL BE REMOVED, IF THEY ARE TEMPORARILY NOT REQUIRED, SUCH AS OVERNIGHT, THEY SHALL EITHER BE TEMPORARILY REMOVED OR COVERED.
- TRAFFIC CONTROL AND TRAFFIC CONTROL DEVICES ALONG STATE HIGHWAYS SHALL COMPLY WITH THE REQUIREMENTS OF THE NEW JERSEY DEPARTMENT OF TRANSPORTATION.
- THE USE OF UNIFORMED POLICE OFFICERS AS TRAFFIC DIRECTORS IS NOT A SPECIFIC REQUIREMENT OF THIS PROJECT. HOWEVER, SHOULD THEY BE DEEMED NECESSARY DUE TO IMPROPER ACTIONS OF THE CONTRACTOR'S TRAFFIC DIRECTORS, OR SHOULD THE CONTRACTOR DESIRE THE ASSISTANCE OF UNIFORMED POLICE OFFICERS AS TRAFFIC DIRECTORS, THE TRAFFIC DIRECTORS SHALL BE OFF-DUTY POLICE OFFICERS FROM WITHIN THE MUNICIPALITY WHERE THE WORK IS BEING PERFORMED. POLICE TRAFFIC DIRECTORS SHALL BE LOCATED WHERE SHOWN ON THE PLANS OR AT SPECIFIC LOCATIONS DESIGNATED BY THE POLICE DEPARTMENT DURING CONSTRUCTION HOURS. THE MUNICIPALITY SHALL BE CONTACTED IN ORDER TO OBTAIN THE SERVICES OF THE POLICE DEPARTMENT TRAFFIC DIRECTORS AND THE NAME, ADDRESS AND TELEPHONE NUMBER OF THEIR LOCAL REPRESENTATIVE.
- THE CONTRACTOR SHALL BE RESPONSIBLE FOR MAINTENANCE WITHIN THE PROJECT LIMITS UNTIL ACCEPTANCE. THIS MAINTENANCE SHALL CONSIST OF CONTINUOUS AND EFFECTIVE WORK PROSECUTED DAY BY DAY, WITH ADEQUATE EQUIPMENT AND FORCE TO THE END THAT THE ROADWAY IS KEPT IN SATISFACTORY CONDITION AT ALL TIMES.
- COMPLIANCE WITH ALL PRESCRIBED SAFETY PRECAUTIONS CONTAINED HEREIN SHALL NOT RELIEVE THE CONTRACTOR OF HIS PRIMARY RESPONSIBILITY TO TAKE ALL NECESSARY MEASURES TO PROTECT AND SAFEGUARD THE PUBLIC, NOT RELIEVE HIM OF ANY RESPONSIBILITIES DESCRIBED IN THE CONTRACT AGREEMENT.
- IF THE LOCAL POLICE DEPARTMENT NOTIFIES THE CONTRACTOR OR HIS SUPERINTENDENT, OR THE ENGINEER OF ANY HAZARDOUS CONDITION(S) OR VIOLATION OF TRAFFIC CONTROL IN THE WORK AREA, ALL OPERATIONS SHALL BE IMMEDIATELY DISCONTINUED AND IMMEDIATE REMEDIAL ACTION SHALL BE TAKEN TO THE SATISFACTION OF THE LOCAL POLICE BEFORE WORK IS RESUMED. ALL COSTS INCURRED AS A RESULT OF SUCH ACTION SHALL BE BORNE BY THE CONTRACTOR WITHOUT RECOURSE AGAINST THE OWNER.
- PRIOR TO BEGINNING A SEASONAL SHUTDOWN OR ANY OTHER PROLONGED WORK STOPPAGE, OR WHEN WORK IS SUSPENDED BY THE ENGINEER, ALL EXCAVATED AREAS WITHIN THE TRAVELED WAY OR ADJACENT THERETO SHALL BE BROUGHT TO A GRADE COMPATIBLE WITH THE EXISTING TRAVELED WAY OR FINISHED GRADE, AS APPROVED.
- FINAL RESPONSIBILITY FOR THE INSTALLATION OF ADEQUATE PRECAUTIONS AND FOR THE PROTECTION OF THE TRAVELING PUBLIC AND THE CONTRACTOR'S OWN PERSONNEL, SHALL REST WITH THE CONTRACTOR.

**LEGEND**



**TRAFFIC CONTROL SIGN SCHEDULE**

SIGN NO.	DESCRIPTION / SIGN CONTENTS	SIZE (SF)	QUANTITY
1	ROAD WORK AHEAD (W20-1)	9	6
2	ONE LANE ROAD AHEAD (W20-4)	9	2
3	BE PREPARED TO STOP (W3-4)	9	2
4	FLAGMAN - SYMBOL (W20-7a)	9	2
5	GROOVED PAVEMENT (WB-15)	9	6
6	UNEVEN PAVEMENT (WB-11)	9	6
7	END ROAD WORK (G20-2)	9	2
8	DIRECTIONAL ARROW (W1-6)	4.5	2

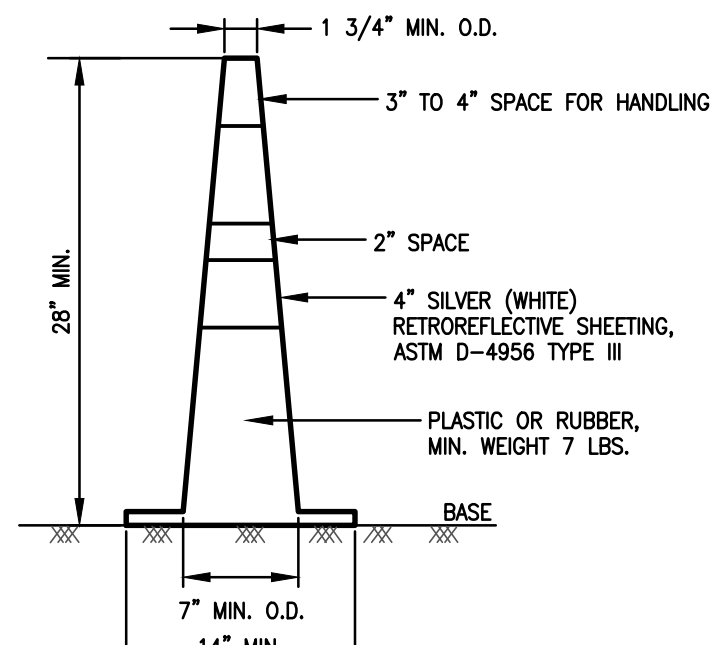


**TYPE III BARRICADE - FRONT VIEW**

- NOTES:**
- THE 9" MIN. x 48", OR 12" MAX. x 48" BARRICADE BARS SHALL BE FABRICATED FROM 0.125" MAX. PLASTIC SHEETING AND SHALL BE ATTACHED TO A PER BAR WITH 1 INCH DIA. 1/4 PIN HEAD METAL SCREWS OR PLASTIC RIVETS. ALL CORNERS SHALL BE ROUNDED.
  - ORANGE AND SILVER (WHITE) STRIPES SHALL BE RETROREFLECTIVE SHEETING, ASTM D 4956 TYPE II, AS SHOWN FOR CONSTRUCTION SIGNS. ALTERNATE ORANGE AND SILVER (WHITE) STRIPES 6" WIDE SLOPING DOWNWARD AT AN ANGLE OF 45 DEGREES IN THE DIRECTION TRAFFIC IS TO PASS.
  - IF NECESSARY, THE SANDBAGS SHALL BE FABRICATED AND PLACED ACCORDING TO THE MANUFACTURER'S RECOMMENDATION.
  - THE FRAMING FOR BARRICADE PANELS SHALL BE HIGH-IMPACT CRACKED TESTED AND FINA APPROVED.

**BREAKAWAY BARRICADES**

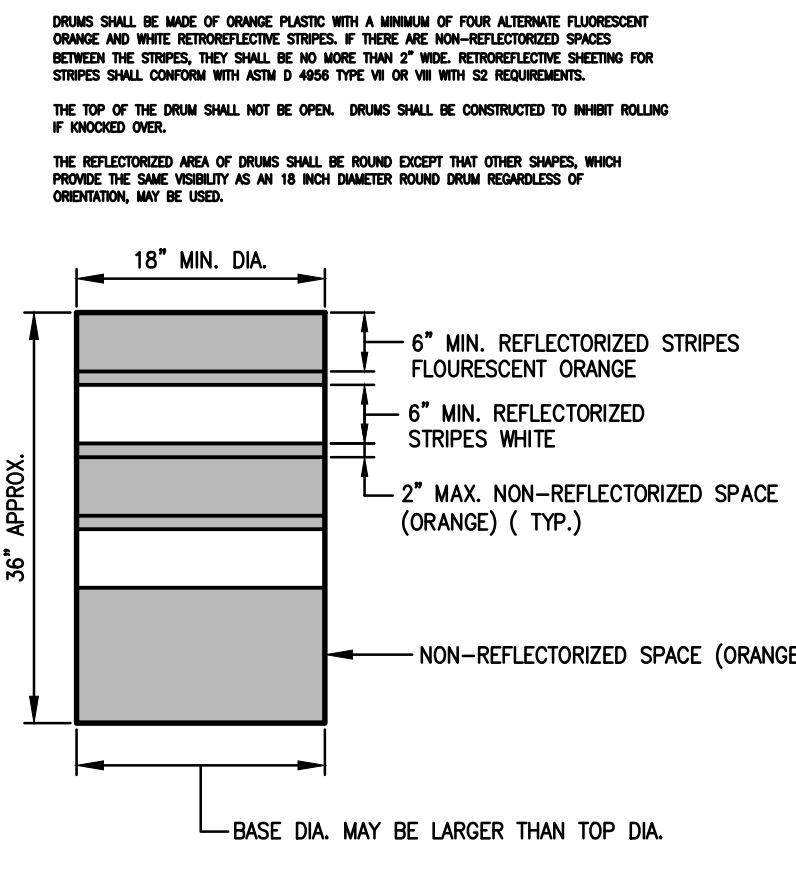
N.T.S.



- NOTES:**
- TRAFFIC CONES SHALL BE PREDOMINANTLY ORANGE IN COLOR.
  - BASES MAY BE OF BREAKAWAY BALLASTED TYPE.
  - MINOR MANUFACTURER'S VARIATIONS MAY BE ACCEPTABLE UPON APPROVAL OF THE ENGINEER.

**TRAFFIC CONES**

N.T.S.



- NOTES:**
- WHEN BALLAST IS REQUIRED BY THE R.E. SHOP SHALL BE USED. THE MINIMUM WEIGHT OF THE BALLAST SHALL BE 50 LBS. AND BE LOCATED APPROXIMATELY AT GROUND LEVEL. ALTERNATE TYPES OF BALLAST SHALL BE APPROVED BY THE R.E.

**DRUMS**

N.T.S.

**REVISIONS**

DATE	DESCRIPTION
09-28-2020	REVISIONS PER TOWNSHIP REVIEW COMMENTS
10-13-2020	REVISIONS PER TOWNSHIP REVIEW COMMENTS
11-16-2020	REVISIONS PER FSCD REVIEW COMMENTS
01-18-2022	REVISIONS PER GEOTECHNICAL REPORT
02-10-2022	REVISIONS PER TOWNSHIP REVIEW COMMENTS

THE OWNER AND CONTRACTOR SHALL HOLD HARMLESS THE ENGINEER FROM AND AGAINST ALL CLAIMS, DAMAGES, LOSSES AND EXPENSES INCLUDING ATTORNEY'S FEES ARISING OUT OF OR RESULTING FROM THE PERFORMANCE OF THE WORK BY THE CONTRACTOR. CHANGES TO THE PLANS BY THE OWNER AND THE CONTRACTOR SHALL BE THE RESPONSIBILITY OF THE PERSONS MAKING SUCH CHANGES. THE CONTRACTOR SHALL CHECK AND VERIFY ALL PLAN DIMENSIONS AND CONDITIONS BEFORE PROCEEDING WITH CONSTRUCTION.

**CONSTRUCTION TRAFFIC CONTROL AND DETOUR PLAN**

**ETHEL ROAD ROADWAY IMPROVEMENTS  
STELTON ROAD TO THE MUNICIPAL BORDER**

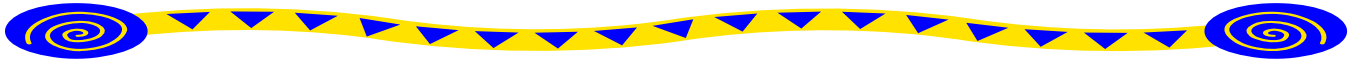
SITUATED IN  
**TOWNSHIP OF PISCATAWAY  
MIDDLESEX COUNTY, NEW JERSEY**

**Grotto Engineering Associates, LLC**  
ENGINEERS • PLANNERS • SURVEYORS  
Certificate of Authorization No. 24GA27918300  
340 NORTH AVENUE  
CRANFORD, NEW JERSEY 07016  
908-272-8901 (F) 908-272-8902

**EDWARD BOGAN** PROFESSIONAL ENGINEER  
N.J. LICENSE NO. 22260

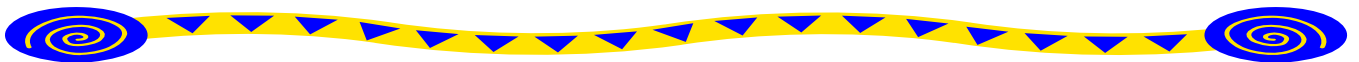
S:\Grotto Road Projects\Facility\Sheet\Ethel Road Roadway Improvement Plan 0 - 12.27.22.dwg 7/10/2022

# THE TOWNSHIP OF PISCATAWAY



# PROPOSAL SHEETS

Page 1-12



MARIA E. VALENTE-CAEMMERER

---

Purchasing Agent/Township Secretary

**PROPOSAL**

Proposed project known as **“ETHEL ROAD ROADWAY IMPROVEMENTS”**

Gentlemen:

The undersigned hereby declare that they have carefully examined the site, plans and specifications for the construction of the proposed project known as **“ETHEL ROAD ROADWAY IMPROVEMENTS”** for which receipt of bids has been advertised, and having examined the Special and General Instructions to Bidders, plans and specifications on file in the Office of the Township Engineer, as well as the site of the work, will contract to do all of the work and furnish all the labor, supervision, materials, tools and equipment mentioned in the said plans and specifications, for the entire work in the manner prescribed therein, at the unit prices specified for the various items below and for the resulting lump sum given below.

The undersigned, its representatives, consultants or assistants agrees to save the Township of Piscataway, harmless with respect to any claim or claims of liability, which may be incurred by reason of, or in connection with the performance of said work including, but not limited to blasting work and the existence of open trenches.

It is understood that a certain amount of money will be available for work proposed, and that the actual work to be performed and the materials to be furnished may be increased or decreased to bring the cost of the work within the amount available.

It is further understood that the price herein bid and the lump sum stated below are to remain firm for a period of 240 days from “Notice to Proceed”.

**SCHEDULE OF PRICES**  
**BASE BID PRICES**

<u>ITEM ESTIMATED</u>	<u>DESCRIPTION</u>	
<u>NO.</u> <u>QUANTITY</u>	<u>UNIT PRICE WRITTEN IN BOTH WORDS &amp; NUMERICAL FIGURES</u>	
1.	Lump Sum	Construction Layout, as shown on plans and as called for in specifications, complete in place .  \$ _____ Lump Sum    \$ _____ . _____
2.	Lump Sum	Soil Erosion & Sediment Control, as called for in the specifications, complete in place.  \$ _____ Lump Sum    \$ _____ . _____
3.	40 Units	Breakaway Barricades, (If & where directed) as shown on plans and as called for in specifications, complete in place.  \$ _____ Per Unit    \$ _____ . _____ \$ _____ Total    \$ _____ . _____
4.	80 Units	Drums, as shown on plans and as called for in specifications, complete in place .  \$ _____ Per Unit    \$ _____ . _____ \$ _____ Total    \$ _____ . _____
5.	200 Units	Traffic Cones, (If & where directed) as shown on plans and as called for in specifications, complete in place .  \$ _____ Per Unit    \$ _____ . _____ \$ _____ Total    \$ _____ . _____
6.	244 S.F.	Construction Signs, (If & where directed) as shown on plans and as called for in specifications , complete in place .  \$ _____ Per S.F.    \$ _____ . _____ \$ _____ Total    \$ _____ . _____

- 7. \$11,578.80 L.S. Uniform Law Enforcement Officers, as shown on plans and as called for in specifications, complete in place.  
\$ \_\_\_\_\_ Lump Sum \$ \_\_\_\_\_ .
  
- 8. \$3,000.00 Fuel Price Adjustment, as shown on plans and as called for in specifications, complete in place.  
\$ Three Thousand Dollars \$ 3,000.00
  
- 9. \$5,500.00 Asphalt Price Adjustment, as shown on plans and as called for in specifications, complete in place.  
\$ Five Thousand Five Hundred Dollars \$ 5,500.00
  
- 10. Lump Sum Clearing Site & Restoration, as shown on plans and as called for in specifications, complete in place.  
\$ \_\_\_\_\_ Lump Sum \$ \_\_\_\_\_ .
  
- 11. 8 Units Excavation, Test Pits, as shown on plans and as called for in specifications, complete in place.  
\$ \_\_\_\_\_ Per Unit \$ \_\_\_\_\_ .  
\$ \_\_\_\_\_ Total \$ \_\_\_\_\_ .
  
- 12. 2,158 C.Y. Excavation Unclassified, as shown on plans and as called for in specifications, complete in place.  
\$ \_\_\_\_\_ Per C.Y. \$ \_\_\_\_\_ .  
\$ \_\_\_\_\_ Total \$ \_\_\_\_\_ .
  
- 13. 50 C.Y. Excavation, Regulated Material (If and where directed), as shown on plans and as called for in specifications, complete in place.  
\$ \_\_\_\_\_ Per C.Y. \$ \_\_\_\_\_ .  
\$ \_\_\_\_\_ Total \$ \_\_\_\_\_ .
  
- 14. 50 TON. Disposal of Regulated Material (If and where directed), as shown on plans and as called for in specifications, complete in place.  
\$ \_\_\_\_\_ Per TON \$ \_\_\_\_\_ .

Proposal

Ethel Road Roadway Improvements

		\$ _____ Total	\$ _____ .
15.	100 C.Y.	2-1/2" Stone Subbase (If and where directed), as shown on plans and as called for in specifications, complete in place.	
		\$ _____ Per C.Y.	\$ _____ .
		\$ _____ Total	\$ _____ .
16.	100 C.Y.	Aggregate Base Course, No. 57 (If and where directed), as shown on plans and as called for in specifications, complete in place.	
		\$ _____ Per C.Y.	\$ _____ .
		\$ _____ Total	\$ _____ .
17.	50 C.Y.	Dense Graded Aggregate Base Course, Variable Thickness, as shown on plans and as called for in specifications, complete in place.	
		\$ _____ Per C.Y.	\$ _____ .
		\$ _____ Total	\$ _____ .
18.	514 S.Y.	Dense Graded Aggregate Base Course, 6" Thick, as shown on plans and as called for in specifications, complete in place.	
		\$ _____ Per S.Y.	\$ _____ .
		\$ _____ Total	\$ _____ .
19.	7,861 S.Y.	HMA Milling, 3" or less, as shown on plans and as called for in specifications, complete in place.	
		\$ _____ Per S.Y.	\$ _____ .
		\$ _____ Total	\$ _____ .
20.	1,852 L.F.	Polymerized Joint Adhesive, (If and where directed), as shown on plans and as called for in specifications, complete in place.	
		\$ _____ Per L.F.	\$ _____ .
		\$ _____ Total	\$ _____ .
21.	800 Gals.	Tack Coat, as shown on plans and as called for in specifications, complete in place.	



\$ \_\_\_\_\_ Per Gals.      \$ \_\_\_\_\_  
\$ \_\_\_\_\_ Total      \$ \_\_\_\_\_

22.    974 Tons    Hot Mix Asphalt Surface Course 9.5M64, 2” Thick as shown on plans and as called for in specifications, complete in place.

\$ \_\_\_\_\_ Per Ton      \$ \_\_\_\_\_  
\$ \_\_\_\_\_ Total      \$ \_\_\_\_\_

23.    151 Tons    Hot Mix Asphalt Base Course 19M64, 5” Thick as shown on plans and as called for in specifications, complete in place.

\$ \_\_\_\_\_ Per Ton      \$ \_\_\_\_\_  
\$ \_\_\_\_\_ Total      \$ \_\_\_\_\_

24.    210 S.F.    Retaining Wall, cast in Place (with Pipe Rail), as shown on the plans and as called for in specifications, complete in place.

\$ \_\_\_\_\_ Per S.F.      \$ \_\_\_\_\_  
\$ \_\_\_\_\_ Total      \$ \_\_\_\_\_

25.    100 L.F.    Underdrain, 8” ADS Perforated Pipe (If and where directed), as shown on the plans and as called for in specifications, complete in place.

\$ \_\_\_\_\_ Per L.F.      \$ \_\_\_\_\_  
\$ \_\_\_\_\_ Total      \$ \_\_\_\_\_

26.    5 Units    Manhole, Reset Using Existing Casting as shown on the plans and as called for in specifications, complete in place.

\$ \_\_\_\_\_ Per Unit      \$ \_\_\_\_\_  
\$ \_\_\_\_\_ Total      \$ \_\_\_\_\_

27.    10 Units    Reconstruct Inlet, Type “B”, Using Existing Casting, as shown on the plans and as called for in specifications, complete in place.

\$ \_\_\_\_\_ Per Unit      \$ \_\_\_\_\_  
\$ \_\_\_\_\_ Total      \$ \_\_\_\_\_

- 28.    1 Units            Reconstruct Inlet, Type “E”, Using Existing Casting, as shown on the plans and as called for in specifications, complete in place.

\$ \_\_\_\_\_ Per Unit            \$ \_\_\_\_\_ .

\$ \_\_\_\_\_ Total                \$ \_\_\_\_\_ .
- 29.    444 L.F.            8” Polyvinyl Chloride (PVC) Sewer Pipe, as shown on the plans and as called for in specifications, complete in place.

\$ \_\_\_\_\_ Per L.F.            \$ \_\_\_\_\_ .

\$ \_\_\_\_\_ Total                \$ \_\_\_\_\_ .
- 30.    12 Units            Bicycle Safe Grate, as shown on the plans and as called for in specifications, complete in place.

\$ \_\_\_\_\_ Per Unit            \$ \_\_\_\_\_ .

\$ \_\_\_\_\_ Total                \$ \_\_\_\_\_ .
- 31.    10 Units            Curb Piece, Type “N”, as shown on the plans and as called for in specifications, complete in place.

\$ \_\_\_\_\_ Per Unit            \$ \_\_\_\_\_ .

\$ \_\_\_\_\_ Total                \$ \_\_\_\_\_ .
- 32.    181 S.Y.            Concrete Sidewalk, 4” Thick, as shown on plans and as called for in specifications, complete in place.

\$ \_\_\_\_\_ Per S.Y.            \$ \_\_\_\_\_ .

\$ \_\_\_\_\_ Total                \$ \_\_\_\_\_ .
- 33.    42 S.Y.            Concrete Sidewalk/Driveway/Apron, Reinforced, 6” Thick, as shown on plans and as called for in specifications, complete in place.

\$ \_\_\_\_\_ Per S.Y.            \$ \_\_\_\_\_ .

\$ \_\_\_\_\_ Total                \$ \_\_\_\_\_ .
- 34.    2,031 S.Y.            Hot Mix Asphalt Multi-Use Path, 4” Thick, as shown on plans and as called for in specifications, complete in place.

\$ \_\_\_\_\_ Per S.Y.            \$ \_\_\_\_\_ .

Proposal

Ethel Road Roadway Improvements

		\$ _____ Total	\$ _____ .
35.	467 S.Y.	Hot Mix Asphalt Driveway, 4" Thick, as shown on plans and as called for in specifications, complete in place.	
		\$ _____ Per S.Y.	\$ _____ .
		\$ _____ Total	\$ _____ .
36.	31 S.Y.	Detectable Warning Surface, as shown on plans and as called for in specifications, complete in place.	
		\$ _____ Per S.Y.	\$ _____ .
		\$ _____ Total	\$ _____ .
37.	591 L.F.	9 x 18 Concrete Vertical Curb, as shown on plans and as called for in specifications, complete in place.	
		\$ _____ Per L.F.	\$ _____ .
		\$ _____ Total	\$ _____ .
38.	3,414 L.F.	Traffic Stripes, Long Life, Thermoplastic, 4", as shown on plans and as called for in specifications, complete in place.	
		\$ _____ Per L.F.	\$ _____ .
		\$ _____ Total	\$ _____ .
39.	61 L.F.	Traffic Stripes, Long Life, Thermoplastic, 6", as shown on plans and as called for in specifications, complete in place.	
		\$ _____ Per L.F.	\$ _____ .
		\$ _____ Total	\$ _____ .
40.	669 L.F.	Traffic Stripes, Long Life, Thermoplastic, 8", as shown on plans and as called for in specifications, complete in place.	
		\$ _____ Per L.F.	\$ _____ .
		\$ _____ Total	\$ _____ .
41.	151 L.F.	Traffic Stripes, Long Life, Thermoplastic, 24", as shown on plans and as called for in specifications, complete in place.	

Proposal

Ethel Road Roadway Improvements

\$ \_\_\_\_\_ Per L.F.      \$ \_\_\_\_\_ .  
\$ \_\_\_\_\_ Total      \$ \_\_\_\_\_ .

42.    125 S.F.    Traffic Marking Symbols as shown on plans  
and as called for in specifications, complete in place.

\$ \_\_\_\_\_ Per L.F.      \$ \_\_\_\_\_ .  
\$ \_\_\_\_\_ Total      \$ \_\_\_\_\_ .

43.    161 S.F.    Regulatory and Warning Signs, as shown on plans  
and as called for in specifications, complete in place.

\$ \_\_\_\_\_ Per S.F.      \$ \_\_\_\_\_ .  
\$ \_\_\_\_\_ Total      \$ \_\_\_\_\_ .

44.    5 Unit        Reset Signs, as shown on plans and as called  
for in specifications, complete in place.

\$ \_\_\_\_\_ Per Unit      \$ \_\_\_\_\_ .  
\$ \_\_\_\_\_ Total      \$ \_\_\_\_\_ .

45.    11 Units      Reset Manhole, Sanitary Sewer, Using New Casting, as shown  
on plans and as called for in specifications, complete in place.

\$ \_\_\_\_\_ Per Unit      \$ \_\_\_\_\_ .  
\$ \_\_\_\_\_ Total      \$ \_\_\_\_\_ .

46.    12 Units      Sanitary Sewer Service Connection (If and where directed), as  
shown on plans and as called for in specifications, complete in place.

\$ \_\_\_\_\_ Per Unit      \$ \_\_\_\_\_ .  
\$ \_\_\_\_\_ Total      \$ \_\_\_\_\_ .

47.    21 Units      Tree Removal, Over 4" to 12" Diameter, as shown on plans  
and as called for in specifications, complete in place.

\$ \_\_\_\_\_ Per Unit      \$ \_\_\_\_\_ .  
\$ \_\_\_\_\_ Total      \$ \_\_\_\_\_ .

48. 3,974 S.Y. Topsoiling, 4" Thick, as shown on plans and as called for in specifications, complete in place.

\$ \_\_\_\_\_ Per S.Y. \$ \_\_\_\_\_ .

\$ \_\_\_\_\_ Total \$ \_\_\_\_\_ .

49. 3,974 S.Y. Fertilizing and Seeding, as shown on plans and as called for in specifications, complete in place.

\$ \_\_\_\_\_ Per S.Y. \$ \_\_\_\_\_ .

\$ \_\_\_\_\_ Total \$ \_\_\_\_\_ .

50. 3,974 S.Y. Mulching, as shown on plans and as called for in specifications, complete in place.

\$ \_\_\_\_\_ Per S.Y. \$ \_\_\_\_\_ .

\$ \_\_\_\_\_ Total \$ \_\_\_\_\_ .

**THE FOLLOWING UNITS AND EXTENDED COSTS SHOULD BE USED TO DETERMINE THE LUMP SUM LANDSCAPING AMOUNT FOR THE FOLLOWING ITEM NUMBER 51 (NEW SHADE TREES)**

**11 Units Hedges Maple (Acer Campestre), 2"-2-1/2", Caliper, B&B, as called for in the specifications, complete in place.**

\$ \_\_\_\_\_ Per Unit \$ \_\_\_\_\_ .

\$ \_\_\_\_\_ Total \$ \_\_\_\_\_ .

**3 Units**      **Red Maple (Acer Rubrum),  
2''-2-1/2'', Caliper, B&B, as called for in the specifications,  
complete in place.**

\$ \_\_\_\_\_ **Per Unit**      \$ \_\_\_\_\_ .

\$ \_\_\_\_\_ **Total**      \$ \_\_\_\_\_ .

**4 Units**      **European Hornbeam (Carpinus Betulus),  
2''-2-1/2'', Caliper, B&B, as called for in the specifications,  
complete in place.**

\$ \_\_\_\_\_ **Per Unit**      \$ \_\_\_\_\_ .

\$ \_\_\_\_\_ **Total**      \$ \_\_\_\_\_ .

**7 Units**      **'Newport' Purpleleaf Plum (Prunus Cerasifera 'Newport'), 2''-2 1/2''  
Caliper, B&B, as called for in the specifications, complete in place.**

\$ \_\_\_\_\_ **Per Unit**      \$ \_\_\_\_\_ .

\$ \_\_\_\_\_ **Total**      \$ \_\_\_\_\_ .

**12 Units**      **Kwanzan Cherry (Prunus Serrulata Kwanzan), 2''-2 1/2'' Caliper, B&B,  
as called for in the specifications, complete in place.**

\$ \_\_\_\_\_ **Per Unit**      \$ \_\_\_\_\_ .

\$ \_\_\_\_\_ **Total**      \$ \_\_\_\_\_ .

**2 Units**      **'Green Mountain' Silver Linden (Tilia Tomemtosia ' Green Mountain',  
2''-2-1/2'', Caliper, B&B, as called for in the specifications,  
complete in place.**

\$ \_\_\_\_\_ **Per Unit**      \$ \_\_\_\_\_ .

\$ \_\_\_\_\_ **Total**      \$ \_\_\_\_\_ .

**THE ABOVE UNITS AND EXTENDED COSTS SHOULD BE USED TO DETERMINE  
THE LUMP SUM LANDSCAPING AMOUNT FOR THIS ITEM NUMBER 51,  
(NEW SHADE TREES)**

51.      Lump Sum      Landscaping, (New Shade Trees) as shown on plans  
and as called for in specifications, complete in place.

\$ \_\_\_\_\_ Lump Sum \$ \_\_\_\_\_ .

52. 330 S.Y. Geogrid (If and where directed), as shown on the plans and as called for in specifications, complete in place.

\$ \_\_\_\_\_ Per S.Y. \$ \_\_\_\_\_ .

\$ \_\_\_\_\_ Total \$ \_\_\_\_\_ .

53. 100 S.Y. Geotextile (If and where directed), as shown on the plans and as called for in specifications, complete in place.

\$ \_\_\_\_\_ Per S.Y. \$ \_\_\_\_\_ .

\$ \_\_\_\_\_ Total \$ \_\_\_\_\_ .

54. \$130,000.00 Unspecified Construction Work, if and where directed, as described in the specifications.

\$ One Hundred Thirty Thousand Dollars \_\_\_\_\_ Lump Sum \$ 130,000.00 \_\_\_\_\_

**TOTAL SUM OF BASE BID FOR ITEMS 1 THROUGH 54 INCLUSIVE.**  
**(Total bid to be written in both words and numerical figures.)**

\$ \_\_\_\_\_

\$ \_\_\_\_\_

\_\_\_\_\_  
Signature of Authorized Representative

THE WORK UNDER THIS CONTRACT SHALL BE COMPLETED WITHIN  
150 (ONE HUNDRED AND FIFTY) CONSECUTIVE CALENDAR DAYS.

Accompanying this Proposal is a Proposal Guaranty in a form of a \_\_\_\_\_

for the sum of \_\_\_\_\_ \$ \_\_\_\_\_

payable to the Township of Piscataway which we hereby agree to be forfeited as liquidated

damages, and not as a penalty, if in case the sum \_\_\_\_\_



\_\_\_\_\_ is found to be the lowest submitted in the manner required and is accepted by the Township of Piscataway, and if the undersigned shall fail to execute a contract with your Honorable Body under the conditions of this Proposal or to furnish the bond required within the time provided therefore. Otherwise, said guaranty is to be returned to the undersigned.

If the bidder is a corporation or partnership, state name in full.

\_\_\_\_\_ Bidders must submit prices and proposal security for all base items 1 through 54 inclusive.



SIGNED: \_\_\_\_\_

ADDRESS: \_\_\_\_\_

DATE: \_\_\_\_\_

TELEPHONE NUMBER: \_\_\_\_\_

SIGNED: \_\_\_\_\_

ADDRESS: \_\_\_\_\_

DATE: \_\_\_\_\_

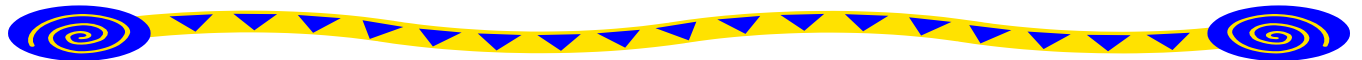
TELEPHONE NUMBER: \_\_\_\_\_



Bid No: 2022- 03-08

# THE TOWNSHIP OF PISCATAWAY

THESE SAMPLE PAGES ARE **NOT** REQUIRED BACK WITH SEALED BID DOCUMENTS



## SAMPLE-BID REQUIRED DOCUMENTS ONCE AWARD

All documents in this section must be submitted with the awarded Contract –These documents are **REQUIRED ONCE AWARDED ONLY.** Failure to submit the documents and other documents with the contract may be cause to reject the bid for being non-responsive.



**MARIA E. VALENTE-CAEMMERER**

Purchasing Agent/Township Secretary

**Sample: Required ONLY Once Awarded:**

**Sample -AA-201**

**Sample -AA-202**

**Sample – W-9**

**Sample –Certificate of Insurance**

**Sample- NJ Payroll Forms**

**Sample-W-9**

**SAMPLE: PERFORMANCE PAYMENT BOND FORM**

**(ANY “AIA Document” ARE NOT ACCEPTABLE )**

**THESE SAMPLE PAGES DO NOT HAVE TO BE  
RETURNED WITH BID.**

Township of Piscataway

**PISCATAWAY BID BOND FORM ATTACHED.**

# Appendix Section

(Piscataway Township Performance Payment Bond Form only -  
Sample in bid)

A. Model Performance Bond Form - *Sample*

B. Surety Disclosure Statement and Certification – *Sample*

C. PISCATAWAY PERFORMANCE BOND FORM- SAMPLE

# SAMPLE

## TO CONTRACTOR:

Have your bonding company complete the enclosed Performance/Payment Bond. In order to expedite the process by which your Performance/Payment Bond will be approved by our township attorney, you must use the enclosed form. Please fill out the numbered highlighted areas and have all required signatures in place. The Township will not review any alternative forms and they will be returned to you.

### **Please fill out the highlighted areas numbered as follows:**

1. Full name of Contractor
2. Indicate whether a Corporation, Partnership or Individual
- 3, 3A, 3B Full name of Bonding Company, State, and Office Address
4. Amount of contract in words and figures
5. Date of Bond (Supplied by bonding company - cannot be prior to date of contract)
6. Date of Contract (Found on first page of contract at top)
7. Title and/or description of contract
8. Full name of Contractor
9. Full name of Contractor
10. Same date as Item # 5

**SAMPLE**

### **Accompanying documents from the bonding company must include the following:**

1. Financial Statement
  2. Surety Disclosure Statement and Certification
- A Power of Attorney should be provided for the individual executing the bond on behalf of the surety.

**PERFORMANCE PAYMENT BOND MUST BE SIGNED AND SEALED BY ALL  
PARTIES INDICATED ON PAGE 2**

# SAMPLE

## PERFORMANCE PAYMENT BOND

Know all men by these presents, that we, **(1)** \_\_\_\_\_ a  
**(2)** \_\_\_\_\_ the undersigned as Principal and  
**(3)** \_\_\_\_\_ of the State of **(3A)** \_\_\_\_\_  
 duly authorized to do business in the State of New Jersey, having an office at  
**(3B)** \_\_\_\_\_, New Jersey, as Surety, are  
 hereby held and firmly bound unto the Township of Piscataway, 455 Hoes Lane, Piscataway, New Jersey  
 08854 in the penal sum of  
**(4)** \_\_\_\_\_  
 (\$ \_\_\_\_\_) DOLLARS,

for the payment of which well and truly to be made, we hereby jointly and severally bind ourselves, our  
 heirs, executors, administrators, successors and assigns.

**(5)** Signed this \_\_\_\_\_ day of \_\_\_\_\_ 20\_\_\_\_.

The condition of the above obligation is such that whereas, the above named principal did on the  
**(6)** \_\_\_\_\_ day of \_\_\_\_\_ 20\_\_\_\_, enter into a contract with the Township  
 of Piscataway, 455 Hoes Lane, Piscataway, New Jersey 08854 for  
**(7)** \_\_\_\_\_

which said contract is made a part of this the bond the same as though set forth herein;

Now, if the said **(8)** \_\_\_\_\_ shall well and faithfully do and perform the  
 things agreed by **(9)** \_\_\_\_\_ to be done and performed according to the  
 terms of said contract, and shall pay all lawful claims of beneficiaries as defined by N.J.S. 2A:44-143 for  
 labor performed or materials, provisions, provender or other supplies or teams, fuels, oils, implements or  
 machinery furnished, used or consumed in the carrying forward, performing or completing of said contract,  
 we agreeing and assenting that this undertaking shall be for the benefit of any beneficiary as defined in N.J.S.  
 2A: 44-143 having a just claim, as well as for the oblige herein; then this obligation shall be void; otherwise  
 the same shall remain in full force and effect; it being expressly understood and agreed that the liability of  
 the surety for any and all claims hereunder shall in no event exceed the penal amount of this obligation as  
 herein stated.

The said surety hereby stipulates and agrees that no modifications, omissions or additions in or to the  
 terms of the said contract or in or to the plans or specifications therefore shall in anywise affect the  
 obligation of said surety on its bond.

Recovery of any claimant under the bond shall be subject to the conditions and provisions of this article  
 to the same extent as if such conditions and provisions were fully incorporated in the form set forth above.

# SAMPLE

## Performance Payment Bond

This bond shall not be subject to cancellation either by the principal or by the surety for any reason until such time as all improvements subject to the bond have been accepted by the municipality.

This bond shall be deemed continuous in form and shall remain in full force and effect until the improvements are accepted by the municipality and the bond is released, or until default is declared, or until the bond is replaced by another bond meeting applicable legal requirements. Upon approval or acceptance of all improvements by the municipality, or upon replacement of this bond by another bond, liability under this bond shall cease.

The aggregate liability of the surety shall not exceed the sum set forth above.

In the event that the improvements subject to this bond are not completed within the time allowed under the contract or bid documents (hereinafter the "Contract") between principal and municipality, the municipal governing body may, at its option, and upon at least 30 days prior written notice to the principal and to the surety by personal delivery or by certified or registered mail or courier, declare the principal to be in default and, in the event that the surety fails or refuses to complete the work in accordance with the terms and conditions of said Contract, claim payment under this bond for the cost of completion of the work. In the event that any action is brought against the principal under this bond, written notice of such action shall be given to the surety by the municipality by personal delivery or by registered or certified mail or courier at the same time.

The surety shall have the right to complete the work in accordance with the terms and conditions of said Contract, either with its own employees or in conjunction with the principal or another contractor; provided, however, that the surety in its sole discretion, may make a monetary settlement with the municipality as an alternative to completing the work.

This bond shall insure to the benefit of the municipality only and no other party shall acquire any rights hereunder.

In the event that this bond shall for any reason cease to be effective prior to the approval or acceptance of all improvements, a cease and desist order may be issued by the governing body, in which case all work shall stop until such time as a replacement guarantee acceptable to municipality becomes effective.

# SAMPLE

Performance Payment Bond

**IN WITNESS WHEREOF** , this instrument is executed in two (2) counterparts each of which shall be deemed an original , this the **(10)** \_\_\_\_\_ day of \_\_\_\_\_ , 20  
\_\_\_\_\_

**Attest :**

\_\_\_\_\_  
Principal  
\_\_\_\_\_  
(Typed or Printed)

\_\_\_\_\_  
Principal Secretary  
\_\_\_\_\_  
(Typed or Printed)

**By:** \_\_\_\_\_ (s)  
\_\_\_\_\_  
Address

**SEAL :**

\_\_\_\_\_  
Witness to Princip

# SAMPLE

\*\*\*\*\*

**Attest :**

\_\_\_\_\_  
Surety  
**By:** \_\_\_\_\_ (s)  
Attorney-in-fact

\_\_\_\_\_  
Surety Secretary

**SEAL :**

\_\_\_\_\_  
Address

\_\_\_\_\_  
Witness as to Surety

\_\_\_\_\_  
Address

# STATE OF NEW JERSEY

DEPARTMENT OF LABOR & WORKFORCE DEVELOPMENT  
CONSTRUCTION EEO COMPLIANCE MONITORING PROGRAM

FORM AA-201  
Revised 11/11

## INITIAL PROJECT WORKFORCE REPORT CONSTRUCTION

**Official Use Only**

Assignment

Code

For instructions on completing the form, go to: [http://www.state.nj.us/treasury/contract\\_compliance/pdf/aa201ins.pdf](http://www.state.nj.us/treasury/contract_compliance/pdf/aa201ins.pdf)

<b>1. FID NUMBER</b> _____ <b>3. NAME AND ADDRESS OF PRIME CONTRACTOR</b> _____ (Name) _____ (Street Address) _____ (City)      (State)      (Zip Code)	<b>2. CONTRACTOR ID NUMBER</b> _____ <b>4. IS THIS COMPANY MINORITY OWNED <input type="checkbox"/> OR WOMAN OWNED <input type="checkbox"/></b>	<b>5. NAME AND ADDRESS OF PUBLIC AGENCY AWARDING CONTRACT</b> Name: _____ Address: _____ _____ _____ CONTRACT NUMBER    DATE OF AWARD    DOLLAR AMOUNT OF AWARD _____ <b>6. NAME AND ADDRESS OF PROJECT</b> Name: _____ Address: _____ _____ <b>7. PROJECT NUMBER</b> _____ <b>8. IS THIS PROJECT COVERED BY A PROJECT LABOR AGREEMENT (PLA)?</b> YES <input type="checkbox"/> NO <input checked="" type="checkbox"/>
---	--	--

9. TRADE OR CRAFT	PROJECTED TOTAL EMPLOYEES				PROJECTED MINORITY EMPLOYEES				PROJECTED PHASE - IN DATE	PROJECTED COMPLETION DATE
	MALE		FEMALE		MALE		FEMALE			
	J	AP	J	AP	J	AP	J	AP		
1. ASBESTOS WORKER										
2. BRICKLAYER OR MASON										
3. CARPENTER										
4. ELECTRICIAN										
5. GLAZIER										
6. HVAC MECHANIC										
7. IRONWORKER										
8. OPERATING ENGINEER										
9. PAINTER										
10. PLUMBER										
11. ROOFER										
12. SHEET METAL WORKER										
13. SPRINKLER FITTER										
14. STEAMFITTER										
15. SURVEYOR										
16. TILER										
17. TRUCK DRIVER										
18. LABORER										
19. OTHER										
20. OTHER										

I hereby certify that the foregoing statements made by me are true. I am aware that if any of the foregoing statements are willfully false, I am subject to punishment.

\_\_\_\_\_  
(Signature)

10. \_\_\_\_\_  
(Please Print Your Name)      \_\_\_\_\_  
(Title)

\_\_\_\_\_  
(Area Code)      (Telephone Number)      (Ext.)      \_\_\_\_\_  
(Date)



**INSTRUCTIONS FOR COMPLETING THE INITIAL PROJECT**

**WORKFORCE REPORT – CONSTRUCTION (AA201)**

**DO NOT COMPLETE THIS FORM FOR GOODS AND/OR SERVICE CONTRACTS**

1. Enter the Federal Identification Number assigned to the contractor by the Internal Revenue Service, or if a Federal Employer Identification Number has been applied for but not yet issued, or if your business is such that you have not or will not receive a Federal Identification Number, enter the social security number assigned to the single owner or one partner, in the case of a partnership.
2. Note: The Department of Labor & Workforce Development, Construction EEO Monitoring Program will assign a contractor ID number to your company. This number will be your permanently assigned contractor ID number that must be on all correspondence and reports submitted to this office.
3. Enter the prime contractor's name, address and zip code number.
4. Check box if Company is Minority Owned or Woman Owned
5. Enter the complete name and address of the Public Agency awarding the contract. Include the contract number, date of award and dollar amount of the contract.
6. Enter the name and address of the project, including the county in which the project is located.
7. Note: A project contract ID number will be assigned to your firm upon receipt of the completed Initial Project Workforce Report (AA201) for this contract. This number must be indicated on all correspondence and reports submitted to this office relating to this contract.
  8. Check "Yes" or "No" to indicate whether a Project Labor Agreement (PLA) was established with the labor organization(s) for this project.
9. Under the Projected Total Number of Employees in each trade or craft and at each level of classification, enter the total composite workforce of the prime contractor and all subcontractors projected to work on the project. Under Projected Employees enter total minority and female employees of the prime contractor and all subcontractors projected to work on the project. Minority employees include Black, Hispanic, American Indian and Asian, (J=Journey worker, AP=Apprentice). Include projected phase-in and completion dates.
10. Print or type the name of the company official or authorized Equal Employment Opportunity (EEO) official include signature and title, phone number and date the report is submitted.

This report must be submitted to the Public Agency that awards the contract and the Department of Labor & Workforce Development, Construction EEO Compliance Monitoring Program after notification of award, but prior to signing the contract.

**THE CONTRACTOR IS TO RETAIN A COPY AND SUBMIT COPY TO THE PUBLIC AGENCY AWARDING THE CONTRACT AND FORWARD A COPY TO:**

**NEW JERSEY DEPARTMENT OF LABOR & WORKFORCE DEVELOPMENT  
CONSTRUCTION EEO COMPLIANCE MONITORING UNIT  
P.O. BOX 209  
TRENTON, NJ 08625-0209  
(609) 292-9550**

# SAMPLE

## CONTRACTOR INSURANCE REQUIREMENTS

### Contractors

When the municipality lets work to a contractor, it is expected and required the contractor provide the municipality with the following minimum amount of insurance.

**a) Small Service and Repair Contractors**

- General Liability, including Products/Completed
- Operations – Limit \$500,000 CSL
- Authority to be named as additional insured
- Auto Liability: Limit \$500,000 CSL
- Coverage to include “Non-Owned and Hired Automobiles”
- Workers’ Compensation Insurance – statutory limits

**b) Larger Contractors** (Includes contractors that are doing new construction or major alterations):

Requirements are same as above with exception of limits which are to be \$ 1 Million CSL for both General and Automobile Liability.

**Note: No work shall be allowed to begin without property Insurance Certificates on file with the member municipality and approved by the Insurance producer. Also, refer back to Item #9 in the underwriting section of the Policies and Procedures Manual for Insurance requirements for pyrotechnic contractors.**

### ADDITIONAL INSURED

The Township of Piscataway must be named additional Insured.  
The description of the Goods & Services must be listed.

**SAMPLE CERTIFICATE OF INSURANCE**



**CERTIFICATE OF LIABILITY INSURANCE**

DATE (MM/DD/YYYY)

PRODUCER Applicants Insurance Company Name and Address	THIS CERTIFICATION IS ISSUED AS A MATTER OF INFORMATION ONLY AND CONFERS NO RIGHTS UPON THE CERTIFICATE HOLDER. THIS CERTIFICATE DOES NOT AMEND, EXTEND OR ALTER THE COVERAGE AFFORDED BY THE POLICIES BELOW.	
	INSURERS AFFORDING COVERAGE	NAIC #
INSURED Applicants Company Name and Address	INSURER A:	
	INSURER B:	
	INSURER C:	
	INSURER D:	
	INSURER E:	

**COVERAGES**

THE POLICIES OF INSURANCE LISTED BELOW HAVE BEEN ISSUED TO THE INSURED NAMED ABOVE FOR THE POLICY PERIODS INDICATED. NOTWITHSTANDING ANY REQUIREMENT, TERM OR CONDITION OF ANY CONTRACT OR OTHER DOCUMENT WITH RESPECT TO WHICH THIS CERTIFICATE MAY BE ISSUED OR MAY PERTAIN, THE INSURANCE AFFORDED BY THE POLICIES DESCRIBED HEREIN IS SUBJECT TO ALL THE TERMS, EXCLUSIONS AND CONDITIONS OF SUCH POLICIES. AGGREGATE LIMITS SHOWN MAY HAVE BEEN REDUCED BY PAID CLAIMS.

INSURANCE TYPE (ACORD LTR #)	TYPE OF INSURANCE	POLICY NUMBER	POLICY EFFECTIVE DATE (MM/DD/YYYY)	POLICY EXPIRATION DATE (MM/DD/YYYY)	LIMITS
1	GENERAL LIABILITY <input type="checkbox"/> COMMERCIAL GENERAL LIABILITY <input type="checkbox"/> CLAIMS MADE <input type="checkbox"/> OCCUR GEN'L AGGREGATE LIMIT APPLIES PER: <input type="checkbox"/> POLICY <input type="checkbox"/> PERIOD <input type="checkbox"/> SUBJECT <input type="checkbox"/> LOCATION	Policy Number		Term	EACH OCCURRENCE \$ \$1,000,000 DAMAGE TO RENTED PREMISES (EA OCCURRENCE) \$ MED EXP (Any one person) \$ PERSONAL & ADV INJURY \$ GENERAL AGGREGATE \$ PRODUCTS - COMPROP AGG \$
	AUTOMOBILE LIABILITY <input type="checkbox"/> ANY AUTO <input type="checkbox"/> ALL OWNED AUTOS <input type="checkbox"/> SCHEDULED AUTOS <input type="checkbox"/> HIRED AUTOS <input type="checkbox"/> NON-OWNED AUTOS	Policy Number		Term	CORRECTED SINGLE LIMIT (EA OCCURRENCE) \$ \$1,000,000 BODILY INJURY (EA OCCURRENCE) \$ BODILY INJURY (Per accident) \$ PROPERTY DAMAGE (Per accident) \$ AUTO ONLY - EA ACCIDENT \$ OTHER THAN AUTO ONLY: EA ACC \$ AGG \$
2	EXCESS/UMBRELLA LIABILITY <input type="checkbox"/> OCCUR <input type="checkbox"/> CLAIMS MADE DEDUCTIBLE RETENTION \$	Policy Number		Term	EACH OCCURRENCE \$ \$2,000,000 AGGREGATE \$ \$ \$
3	WORKERS COMPENSATION AND EMPLOYERS' LIABILITY ANY PROPRIETORS/PARTNERS/EXECUTIVE OFFICERS/EMBER EXCLUDED? If yes, describe below SPECIAL PROVISIONS below OTHER	Policy Number If applicable		Term	<input type="checkbox"/> WC STATUS <input type="checkbox"/> OTHER <input type="checkbox"/> TORT LIMITS E.L. EACH ACCIDENT \$ \$100,000 E.L. DISEASE - EA EMPLOYEE \$ \$100,000 E.L. DISEASE - POLICY LIMIT \$ \$500,000

DESCRIPTION OF OPERATIONS / LOCATIONS / VEHICLES / EXCLUSIONS ADDED BY ENDORSEMENT / SPECIAL PROVISIONS

Leave Blank **NAME OF PROJECT AND LOCATION**

CERTIFICATE HOLDER ATTN: TOWSHIP OF PISCATAWAY 455 HOES LANE PISCATAWAY, NJ 08854	CANCELLATION SHOULD ANY OF THE ABOVE DESCRIBED POLICIES BE CANCELLED BEFORE THE EXPIRATION DATE THEREOF, THE ISSUING INSURER WILL ENDEAVOR TO MAIL _____ DAYS WRITTEN NOTICE TO THE CERTIFICATE HOLDER NAMED TO THE LEFT, BUT FAILURE TO DO SO SHALL IMPOSE NO OBLIGATION OR LIABILITY OF ANY KIND UPON THE INSURER, ITS AGENTS OR REPRESENTATIVES. AUTHORIZED REPRESENTATIVE
---	---

# SAMPLE

## TAXPAYER IDENTIFICATION

Form **W-9**  
(Rev. November 2017)  
Department of the Treasury  
Internal Revenue Service

### Request for Taxpayer Identification Number and Certification

Give Form to the  
requester. Do not  
send to the IRS.

Go to [www.irs.gov/FormW9](http://www.irs.gov/FormW9) for instructions and the latest information.

Print or type. See Specific Instructions on page 3.	1 Name (as shown on your income tax return). Name is required on this line; do not leave this line blank.	
	2 Business name/disregarded entity name, if different from above	
	3 Check appropriate box for federal tax classification of the person whose name is entered on line 1. Check only <b>one</b> of the following seven boxes.	4 Exemptions (codes apply only to certain entities, not individuals; see instructions on page 3):
	<input type="checkbox"/> Individual/sole proprietor or single-member LLC <input type="checkbox"/> Limited liability company. Enter the tax classification (C=C corporation, S=S corporation, P=Partnership) ▶ _____ <b>Note:</b> Check the appropriate box in the line above for the tax classification of the single-member owner. Do not check LLC if the LLC is classified as a single-member LLC that is disregarded from the owner unless the owner of the LLC is another LLC that is not disregarded from the owner for U.S. federal tax purposes. Otherwise, a single-member LLC that is disregarded from the owner should check the appropriate box for the tax classification of its owner. <input type="checkbox"/> Other (see instructions) ▶ _____	<input type="checkbox"/> C Corporation <input type="checkbox"/> S Corporation <input type="checkbox"/> Partnership <input type="checkbox"/> Trust/estate  Exempt payee code (if any) _____  Exemption from FATCA reporting code (if any) _____  <i>(Applies to accounts maintained outside the U.S.)</i>
	5 Address (number, street, and apt. or suite no.) See instructions.	Requester's name and address (optional)
	6 City, state, and ZIP code	
	7 List account number(s) here (optional)	

**Part I Taxpayer Identification Number (TIN)**

Enter your TIN in the appropriate box. The TIN provided must match the name given on line 1 to avoid backup withholding. For individuals, this is generally your social security number (SSN). However, for a resident alien, sole proprietor, or disregarded entity, see the instructions for Part I, later. For other entities, it is your employer identification number (EIN). If you do not have a number, see *How to get a TIN*, later.

**Note:** If the account is in more than one name, see the instructions for line 1, *So sign What Name and Number To Give the Requester* for guidelines on whose number to enter.

Social Security number	Employer identification number																																								
<table border="1"> <tr><td> </td><td> </td><td> </td><td> </td><td> </td><td> </td><td> </td><td> </td><td> </td><td> </td></tr> <tr><td> </td><td> </td><td> </td><td> </td><td> </td><td> </td><td> </td><td> </td><td> </td><td> </td></tr> </table>																					<table border="1"> <tr><td> </td><td> </td><td> </td><td> </td><td> </td><td> </td><td> </td><td> </td><td> </td><td> </td></tr> <tr><td> </td><td> </td><td> </td><td> </td><td> </td><td> </td><td> </td><td> </td><td> </td><td> </td></tr> </table>																				

**Part II Certification**

Under penalties of perjury, I certify that:

- The number shown on this form is my correct taxpayer identification number (or I am waiting for a number to be issued to me); and
- I am not subject to backup withholding because: (a) I am exempt from backup withholding, or (b) I have not been notified by the Internal Revenue Service (IRS) that I am subject to backup withholding as a result of a failure to report all interest or dividends, or (c) the IRS has notified me that I am no longer subject to backup withholding; and
- I am a U.S. citizen or other U.S. person (defined below); and
- The FATCA code(s) entered on this form (if any) indicating that I am exempt from FATCA reporting is correct.

**Certification instructions.** You must cross out item 2 above if you have been notified by the IRS that you are currently subject to backup withholding because you have failed to report all interest and dividends on your tax return. For real estate transactions, item 2 does not apply. For mortgage interest paid, acquisition or abandonment of secured property, cancellation of debt, contributions to an individual retirement arrangement (IRA), and generally, payments other than interest and dividends, you are not required to sign the certification, but you must provide your correct TIN. See the instructions for Part II, later.

Sign Here	Signature of U.S. person ▶	Date ▶
-----------	----------------------------	--------

**General Instructions**

Section references are to the Internal Revenue Code unless otherwise noted.

**Future developments.** For the latest information about developments related to Form W-9 and its instructions, such as legislation enacted after they were published, go to [www.irs.gov/FormW9](http://www.irs.gov/FormW9).

**Purpose of Form**

An individual or entity (Form W-9 requester) who is required to file an information return with the IRS must obtain your correct taxpayer identification number (TIN) which may be your social security number (SSN), individual taxpayer identification number (ITIN), adoption taxpayer identification number (ATIN), or employer identification number (EIN), to report on an information return the amount paid to you, or other amount reportable on an information return. Examples of information returns include, but are not limited to, the following.

- Form 1099-INT (interest earned or paid)
- Form 1099-DIV (dividends, including those from stocks or mutual funds)
- Form 1099-MISC (various types of income, prizes, awards, or gross proceeds)
- Form 1099-B (stock or mutual fund sales and certain other transactions by brokers)
- Form 1099-S (proceeds from real estate transactions)
- Form 1099-K (merchant card and third party network transactions)
- Form 1098 (home mortgage interest), 1098-E (student loan interest), 1098-T (tuition)
- Form 1099-C (canceled debt)
- Form 1099-A (acquisition or abandonment of secured property)

Use Form W-9 only if you are a U.S. person (including a resident alien), to provide your correct TIN.

*If you do not return Form W-9 to the requester with a TIN, you might be subject to backup withholding. See What is backup withholding, later.*

**SAMPLE**

**SALES TAX**

CONTRACTOR'S NEW JERSEY  
TAX REGISTRATION NUMBER

To be completed by contractor  
and retained by seller.

**FORM ST-13**

**CONTRACTOR'S EXEMPT PURCHASE CERTIFICATE**

TO: \_\_\_\_\_ (Name of Seller) \_\_\_\_\_ (Date)

\_\_\_\_\_  
(Address of Seller)

The materials, supplies, or services purchased by the undersigned are for exclusive use in erecting structures, or building on, or otherwise improving, altering or repairing real property of the exempt organization, governmental entity, or qualified housing sponsor named below and are exempt from Sales and Use Tax under N.J.S.A. 54:32B-8.22.

THIS CONTRACT COVERS WORK TO BE PERFORMED FOR: (Check one)

EXEMPT ORGANIZATION

Name of Exempt Organization \_\_\_\_\_

Address \_\_\_\_\_

Exempt Organization Number \_\_\_\_\_

NEW JERSEY OR FEDERAL GOVERNMENTAL ENTITY

Name of Governmental Entity \_\_\_\_\_

Address of Governmental Entity \_\_\_\_\_

QUALIFIED HOUSING SPONSOR

Name of Qualified Housing Sponsor \_\_\_\_\_

Address of Qualified Housing Sponsor \_\_\_\_\_

ADDRESS OR LOCATION OF CONTRACT WORK SITE: (property must be owned or leased by one of the above)

\_\_\_\_\_

I, the undersigned contractor, hereby verify and affirm that all of the information shown on this certificate is true.

\_\_\_\_\_  
Name of Contractor as registered with the New Jersey Division of Taxation

**SAMPLE**

\_\_\_\_\_  
Address of Contractor

\_\_\_\_\_  
Signature of Contractor or Authorized Employee

See INSTRUCTIONS on reverse side.

- 1. Good Faith-** To act in good faith means to act in accordance with standards of honesty. In general, registered sellers who accept exemption certificates in good faith are relieved of liability for the collection and payment of sales tax on the transactions covered by the exemption certificate.

In order for good faith to be established, the following conditions must be met:

- (a) Certificate must contain no statement or entry which the seller knows is false or misleading;
- (b) Certificate must be an official form or a proper and substantive reproduction, including electronic;
- (c) Certificate must be filled out completely;
- (d) Certificate must be dated and include the purchaser's New Jersey tax identification number or, for a purchaser that is not registered in New Jersey, the Federal employer identification number or out-of-State registration number. Individual purchasers must include their driver's license number; and
- (e) Certificate or required data must be provided within 90 days of the sale.

The seller may, therefore, accept this certificate in good faith as a basis for exempting sales to the signatory purchaser and is relieved of liability even if it is determined that the purchaser improperly claimed the exemption.

- 2. Improper Certificate** - Sales transactions which are not supported by properly executed exemption certificates are deemed to be taxable retail sales. In this situation, the burden of proof that the tax was not required to be collected is upon the seller.
- 3. Correction of Certificate** - In general, sellers have 90 days after the date of sale to obtain a corrected certificate where the original certificate lacked material information required to be set forth in said certificate or where such information is incorrectly stated.
- 4. Additional Purchases by Same Purchaser** - This Certificate will serve to cover additional purchases by the same purchaser of the same general type of property or service. However, each subsequent sales slip or purchase invoice based on this Certificate must show the purchaser's name, address and Certificate of Authority Number for purpose of verification.
- 5. Retention of Certificates** - Certificates must be retained by the seller for a period of not less than four years from the date of the last sale covered by the certificate. Certificates must be in the physical possession of the seller and available for inspection on or before the 90th day following the date of the transaction to which the certificate relates.

**6. Definitions:**

**"Contractor"** - means any individual, partnership, corporation or other commercial entity engaged in any business involving erecting structures for others, or building on, or otherwise improving, altering, or repairing real property of others.

**"Exempt Organization"** - is any organization which holds a valid exempt organization permit issued pursuant to the provisions of N.J.S.A. 54:32B-9(b) which has issued an ST-5 Exempt Organization Certificate to the contractor.

**"New Jersey or Federal Governmental Entity"** - is any agency, instrumentality, political subdivision, authority, or public corporation of the governments of the United States of America or the State of New Jersey. Governmental agencies, instrumentalities or political subdivisions of states other than New Jersey do not qualify for exemption.

**"Qualified Housing Sponsor"** - is any person, partnership, corporation or association certified by the New Jersey Housing and Mortgage Finance Agency to have obtained financing, in addition to federal, state or local government subsidies, for a housing project from the New Jersey Housing and Mortgage Finance Agency pursuant to N.J.S.A. 55:14K-1, et seq. and has issued a New Jersey Sales and Use Tax Housing Sponsor Letter of Exemption to the contractor.

PRIVATE REPRODUCTION of Contractor's Exempt Purchase Certificates may be made without the prior permission of the Division of Taxation.

**FOR MORE INFORMATION:**

Call the Customer Service Center (609) 292-6400. Send an e-mail to [nj.taxation@treas.state.nj.us](mailto:nj.taxation@treas.state.nj.us). Write to: New Jersey Division of Taxation, Information and Publications Branch, PO Box 281, Trenton, NJ 08695-0281.

**PAYROLL**

(For Contractor's Optional Use; See Instructions at [www.dol.gov/whd/forms/wh347instr.htm](http://www.dol.gov/whd/forms/wh347instr.htm))



Rev. Dec. 2008

Persons are not required to respond to the collection of information unless it displays a currently valid OMB control number.

NAME OF CONTRACTOR  OR SUBCONTRACTOR  ADDRESS OMB No.: 1235-0008  
Expires: 01/31/2015

PAYROLL NO. FOR WEEK ENDING PROJECT AND LOCATION PROJECT OR CONTRACT NO.

(1) NAME AND INDIVIDUAL IDENTIFYING NUMBER (e.g., LAST FOUR DIGITS OF SOCIAL SECURITY NUMBER) OF WORKER	(2) NO. OF WITHHOLDING EXEMPTIONS	(3) WORK CLASSIFICATION	(4) DAY AND DATE OT OR ST. HOURS WORKED EACH DAY	(5) TOTAL HOURS	(6) RATE OF PAY	(7) GROSS AMOUNT EARNED	(8) DEDUCTIONS					(9) NET WAGES PAID FOR WEEK
							FICA	WITH- HOLDING TAX		OTHER	TOTAL DEDUCTIONS	
			O									
			S									
			O									
			S									
			O									
			S									
			O									
			S									
			O									
			S									
			O									
			S									
			O									
			S									

SAMPLE

While completion of Form WH-347 is optional, it is mandatory for covered contractors and subcontractors performing work on Federally financed or assisted construction contracts to respond to the information collection contained in 29 C.F.R. §§ 3.3, 5.5(a). The Copeland Act (40 U.S.C. § 3145) contractors and subcontractors performing work on Federally financed or assisted construction contracts to "furnish weekly a statement with respect to the wages paid each employee during the preceding week." U.S. Department of Labor (DOL) regulations at 29 C.F.R. § 5.5(a)(3)(ii) require contractors to submit weekly a copy of all payrolls to the Federal agency contracting for or financing the construction project, accompanied by a signed "Statement of Compliance" indicating that the payrolls are correct and complete and that each laborer or mechanic has been paid not less than the proper Davis-Bacon prevailing wage rate for the work performed. DOL and federal contracting agencies receiving this information review the information to determine that employees have received legally required wages and fringe benefits.

**Public Burden Statement**

We estimate that it will take an average of 55 minutes to complete this collection, including time for reviewing instructions, searching existing data sources, gathering and maintaining the data needed, and completing and reviewing the collection of information. If you have any comments regarding these estimates or any other aspect of this collection, including suggestions for reducing this burden, send them to the Administrator, Wage and Hour Division, U.S. Department of Labor, Room S3502, 200 Constitution Avenue, N.W. Washington, D.C. 20210





# SAMPLE

## INSTRUCTIONS FOR COMPLETING MONTHLY PROJECT WORKFORCE REPORT- ( AA202)

1. Enter the prime contractor's name, address and zip code number.
2. Enter the **CONTRACTOR ID NUMBER** assigned by the Dept. of Labor & Workforce Development Construction EEO Compliance Monitoring Program.
3. Enter the Federal Identification Number assigned to the contractor by the Internal Revenue Service, or if a Federal Employer Identification Number has not been applied for or issued, or if your business is such that it will not receive a Federal Identification Number, enter the Social Security Number of the owner or of one partner, in the case of a partnership.
4. Reporting Period - enter the beginning and ending dates of the month for the report being submitted. (i.e., 1/1/00 – 1/31/00).
5. Enter the complete name of the public agency awarding the contract. Include the date of contract award.
6. Enter the name and location of the project, including the county in which the project is located.
7. Enter the **PROJECT NUMBER** assigned by the Dept. of Labor & Workforce Development Construction EEO Compliance Monitoring Program.
8. Enter the company name(s) of the contractor(s) performing work at the construction site. List the prime contractor first with subcontractor(s) following.
9. Enter the total percent (%) of project work the contractor or subcontractor has completed, to date.
10. Identify the trades or crafts applicable to the prime contractor and each subcontractor listed in column #8. Use a single line for each trade or craft.
11. Enter the total number of employees for each contractor at each level of classification (J=Journeyworker, AP=Apprentice) and the total number of each minority group - Black, Hispanic, American Indian, Asian and Female. Note: Column A shall include Total Number of employees. Columns B-E shall also include minority females. Column F shall include both non-minority and minority females.
12. Enter the total number of minority employees for each employer at each level of classification. Note: This shall be the sum of columns B-E.
13. Enter the Total Monthly work hours for all employees in each craft at each level of classification.  
(A) Enter the Total Monthly minority work hours for each craft at each level of classification (Columns B-E).  
(B) Enter the Total Monthly female work hours for each craft at each level of classification (Column F).
14. (A) Enter the Total Monthly PERCENT of minority work hours for each craft at each level of classification.  
(B) Enter the Total Monthly PERCENT of female work hours for each craft at each level of classification.
15. Enter the Total Cumulative work hours for each craft at each level of classification.  
(A) Enter the Total Cumulative minority work hours for each craft at each level of classification.  
(B) Enter the Total Cumulative female work hours for each craft at each level of classification.
16. (A) Enter the Cumulative Percent of minority work hours for each craft at each level of classification.  
(B) Enter the Cumulative Percent of female work hours for each craft at each level of classification.
17. Print or type the name of the company official submitting the report; include signature, title, telephone number, and date the report is submitted.

THE CONTACTOR SHOULD RETAIN ONE COPY AND SUBMIT A COPY TO THE PUBLIC AGENCY WHICH AWARDED THE CONTRACT. ANOTHER COPY MUST BE FORWARDED TO:

New Jersey Department of Labor & Workforce Development  
Construction EEO Compliance Monitoring Program  
PO Box 209  
Trenton, NJ 08625-0209  
609 292-9550

# State Of New Jersey

Department of Labor & Workforce Development  
Construction EEO Compliance Monitoring Program

**MONTHLY PROJECT WORKFORCE REPORT - CONSTRUCTION**

For instructions on completing the form, go to: <a href="http://www.state.nj.us/treasury/contract_compliance/pdf/aa202ins.pdf">http://www.state.nj.us/treasury/contract_compliance/pdf/aa202ins.pdf</a>		3. F ID or SS Number	
1. Name and address of Prime Contractor  (NAME)	2. Contractor ID Number	4. Reporting Period	
(ADDRESS)		5. Public Agency Awarding Contract	Date of Award
(CITY) (STATE) (ZIP CODE)		6. Name and Location of Project County	7. Project ID Number

8. CONTRACTOR NAME (LIST PRIME CONTRACTOR WITH SUBS FOLLOWING)	9. PERCENT OF WORK COMPLETED	10. TRADE OR CRAFT	CLASSIFICATION (SEE REVERSE)	11. NUMBER OF EMPLOYEES						12. TOTAL	13. WORK HOURS		14. % OF WORK HRS		15. CUM. WORK HRS		16. CUM. % OF W/H			
				A.	B.	C.	D.	E.	F.	NO. OF	TOTAL	A.	B.	A.	B.	TOTAL	A.	B.	A.	B.
				TOTAL	BLACK	HISPANIC	AMERICAN INDIAN	ASIAN	FEMALES	MIN. EMP.	WORK HOURS	MIN. W/H	FEMALE W/H	% OF MIN. W/H	% OF FEMALE W/H	WORK HOURS	MIN. HOURS	FEMALE HOURS	% OF MIN. W/H	% OF FEM. W/H
			J																	
			AP																	
			J																	
			AP																	
			J																	
			AP																	
			J																	
			AP																	
			J																	
			AP																	

SAMPLE

17. COMPLETED BY (PRINT OR TYPE)

(NAME)	(SIGNATURE)	(TITLE)
(AREA CODE)	(TELEPHONE NUMBER)	(EXT.) (DATE)

# THE TOWNSHIP OF PISCATAWAY



LAST PAGE